

ASSEMBLY INSTRUCTIONS
COASTER FINE FURNITURE



Fine Furniture for every stage of life

108222
Side Chair

ITEM: **108222**



ASSEMBLY INSTRUCTIONS

ASSEMBLY TIPS:

1. Remove hardware from box and sort by size.
2. Please check to see that all hardware and parts are present prior to start of assembly.
3. Please follow attached instructions in the same sequence as numbered to assure fast & easy assembly.



WARNING!

1. Don't attempt to repair or modify parts that are broken or defective. Please contact the store immediately.
2. This product is for home use only and not intended for commercial establishments.

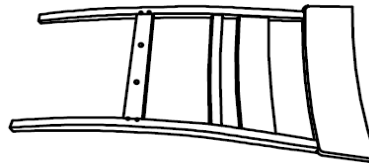


ASSEMBLY TIME

10 MINUTES

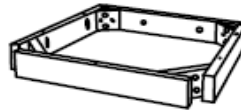
PARTS IDENTIFICATION

A BACK FRAME



1PC

B SEAT FRAME



1PC

C SEAT CUSHION



1PC

D FRONT LEG



2PCS

NOTE:

Quantities shown are for one chair.

Phillips head screw driver is required in the assembly process; however, manufacturer does not provide this item.

ITEM: 108222

ASSEMBLY INSTRUCTIONS

ASSEMBLY TIPS:







1. Remove hardware from box and sort by size.
2. Please check to see that all hardware and parts are present prior to start of assembly.
3. Please follow attached instructions in the same sequence as numbered to assure fast & easy assembly.



WARNING!

1. Don't attempt to repair or modify parts that are broken or defective. Please contact the store immediately.
2. This product is for home use only and not intended for commercial establishments.

HARDWARE IDENTIFICATION

1	ALLEN WRENCH (M4 - BLK)		1PC
2	SHORT BOLT (M6 x 40mm - RBW)		2PCS
3	LONG BOLT (M6 x 70mm - RBW)		8PCS
4	LOCK WASHER (M6 - RBW)		10PCS
5	FLAT WASHER (M6 - RBW)		10PCS
6	FLAT HEAD SCREW (M4 x 25mm- RBW)		7PCS

NOTE:

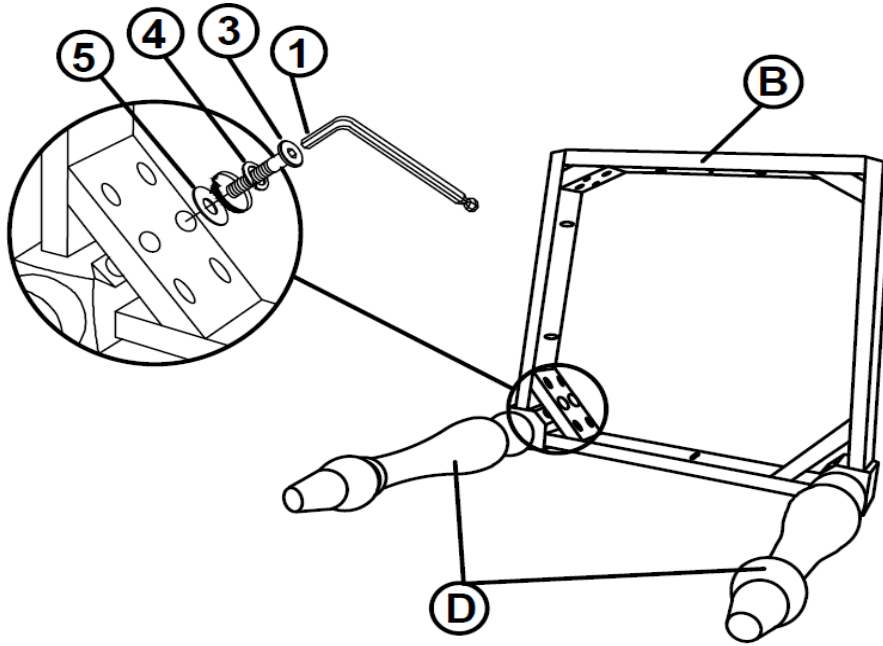
Quantities shown are for one chair.

Phillips head screw driver is required in the assembly process; however, manufacturer does not provide this item.

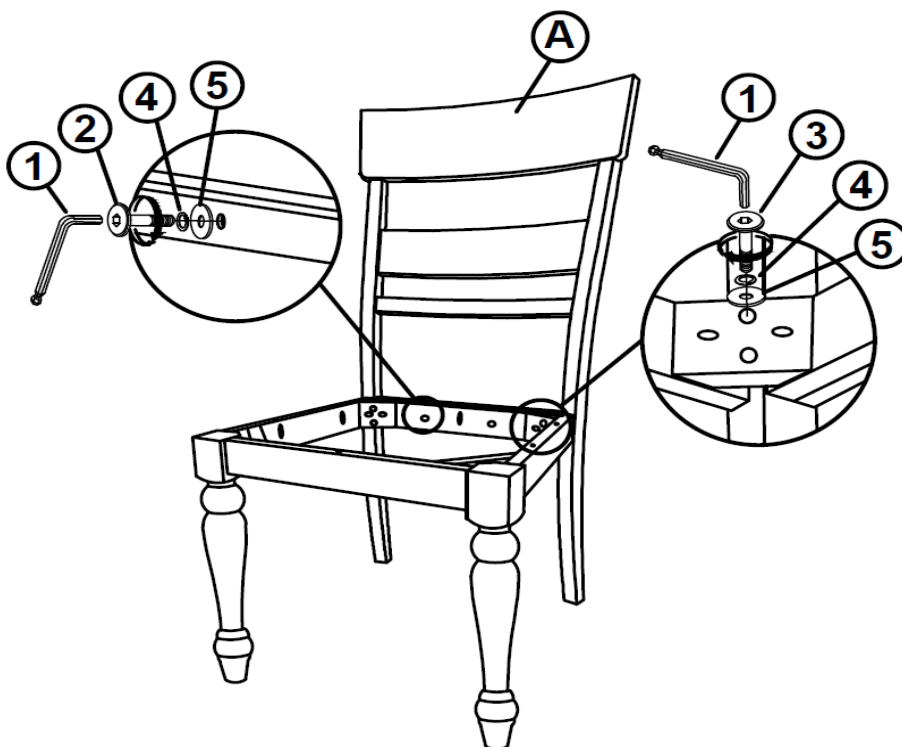
ITEM: **108222**

ASSEMBLY INSTRUCTIONS

STEP 1



STEP 2

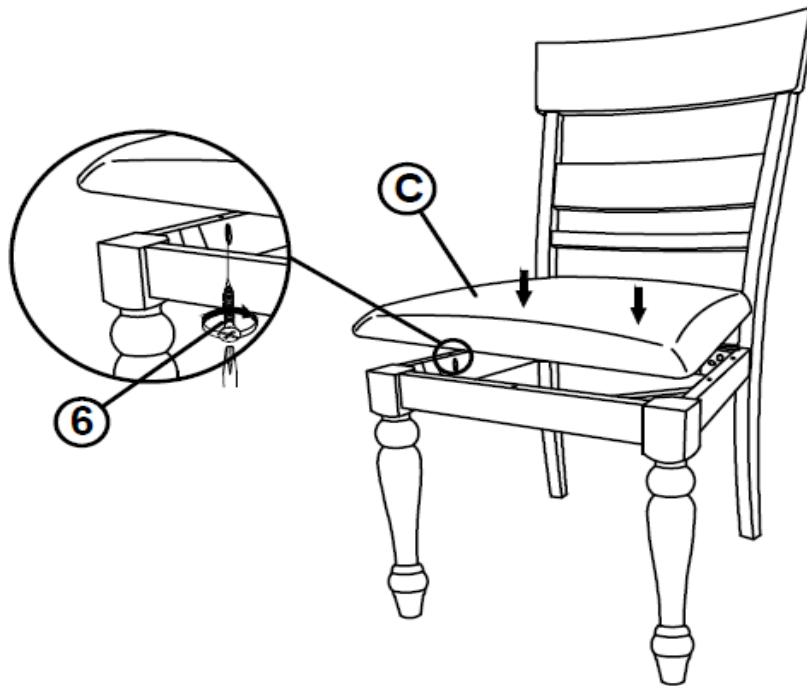


ITEM: **108222**

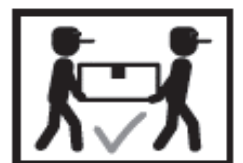
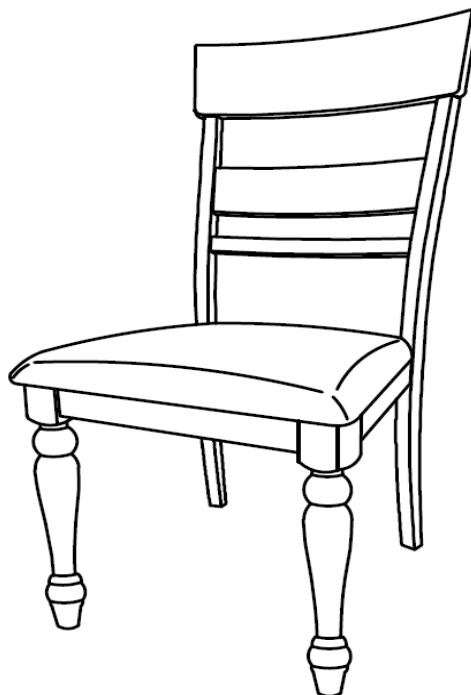


ASSEMBLY INSTRUCTIONS

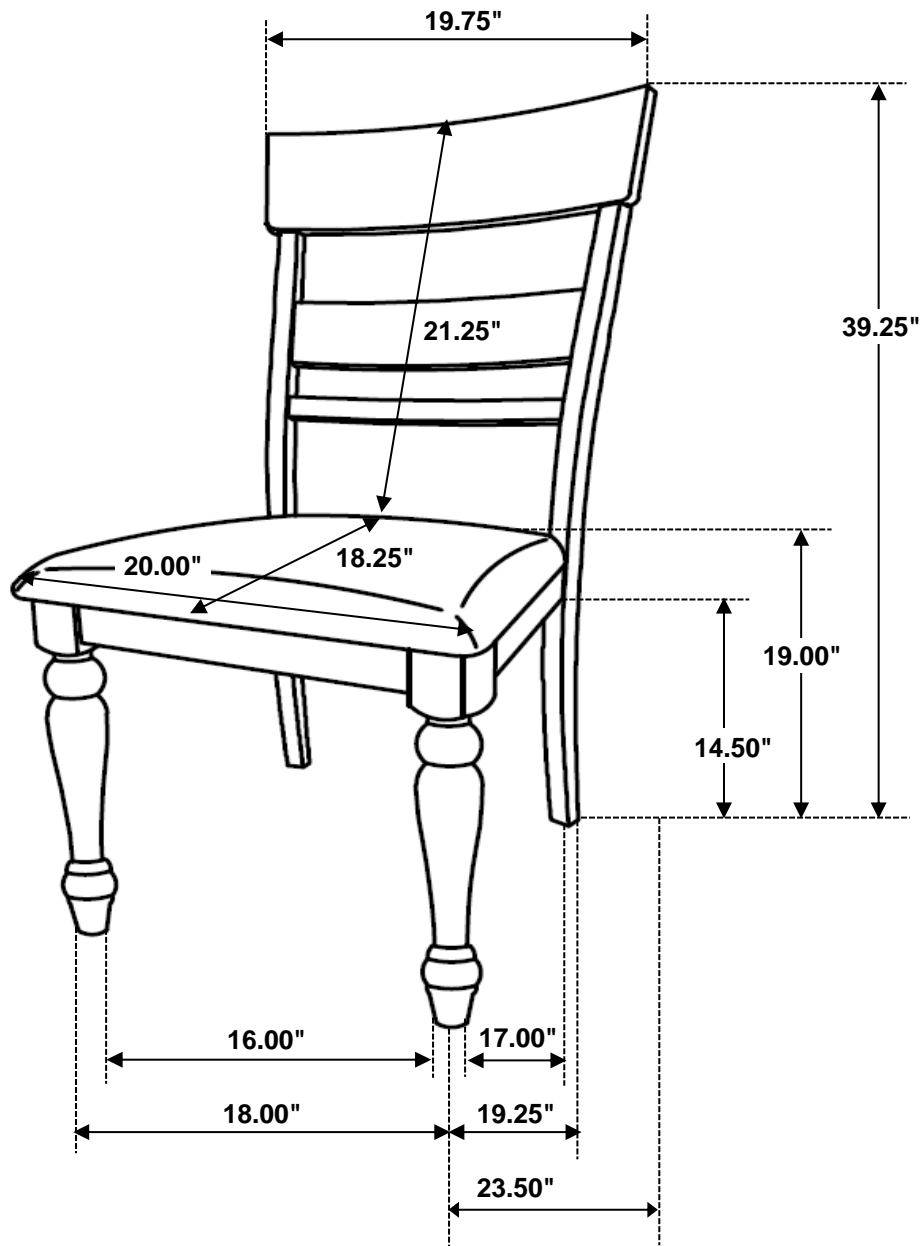
STEP 3



STEP 4
COMPLETE



ITEM: 108222



Note: Dimension tolerance $\pm 5\%$