



ASSEMBLY INSTRUCTIONS COASTER FINE FURNITURE



Fine Furniture for every stage of life

122341
Dining Table

REVISION 0: 05/05/2023
REVISION 1: 11/16/2023

PAGE 1 OF 6

COASTERFURNITURE.COM

ITEM: **122341**

ASSEMBLY INSTRUCTIONS

ASSEMBLY TIPS:

1. Remove hardware from box and sort by size.
2. Please check to see that all hardware and parts are present prior to start of assembly.
3. Please follow attached instructions in the same sequence as numbered to assure fast & easy assembly.



WARNING!

1. Don't attempt to repair or modify parts that are broken or defective. Please contact the store immediately.
2. This product is for home use only and not intended for commercial establishments.



ASSEMBLY TIME

30 MINUTES

PARTS IDENTIFICATION

A	TOP		1PC
B	LEG		4PCS
C	TOP TRESTLE BAR		2PCS
D	STRETCHER BAR		2PCS
E	STRETCHER		2PCS
F	CROSSBAR		1PC

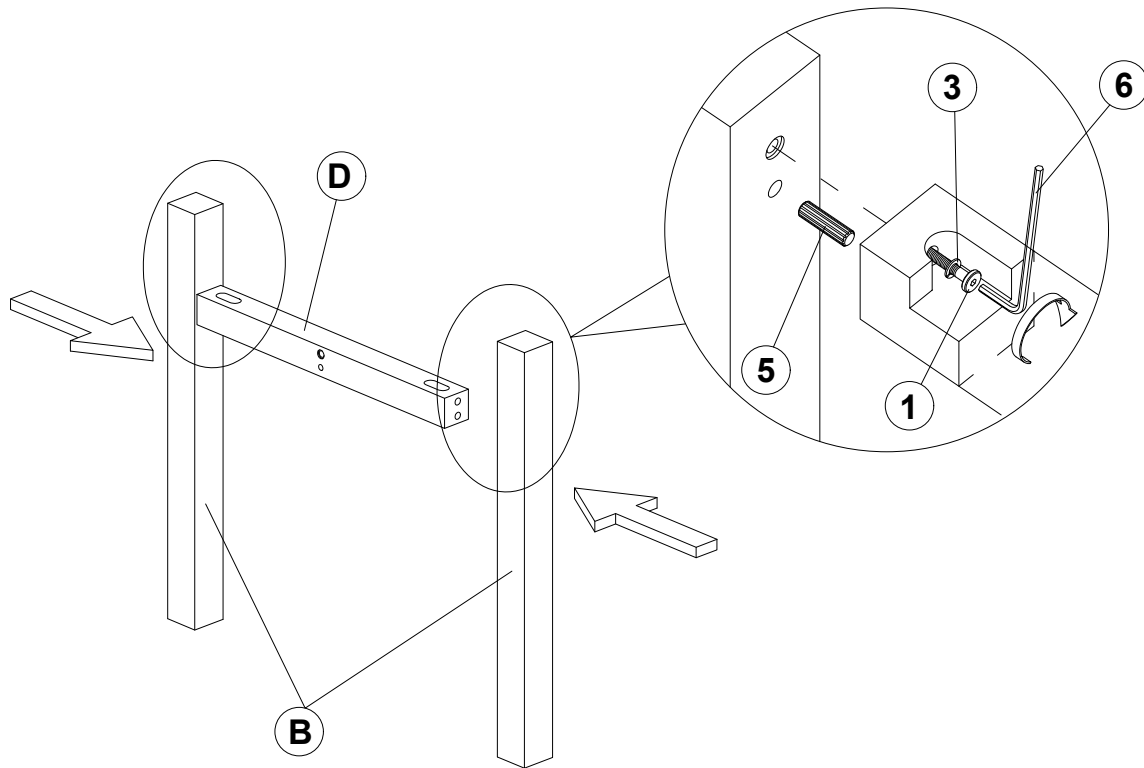
HARDWARE IDENTIFICATION

1	BIG BOLT (M8 x 50mm - RBW)		22PCS
2	SMALL BOLT (M6 x 40mm - RBW)		4PCS
3	BIG LOCK WASHER (M8 - RBW)		22PCS
4	SMALL LOCK WASHER (M6 - RBW)		4PCS
5	WOOD DOWEL (M10 x 35mm - NTL)		14PCS
6	BIG ALLEN WRENCH (M5 x 65mm - BLK)		1PC
7	SMALL ALLEN WRENCH (M4 x 110mm - BLK)		1PC

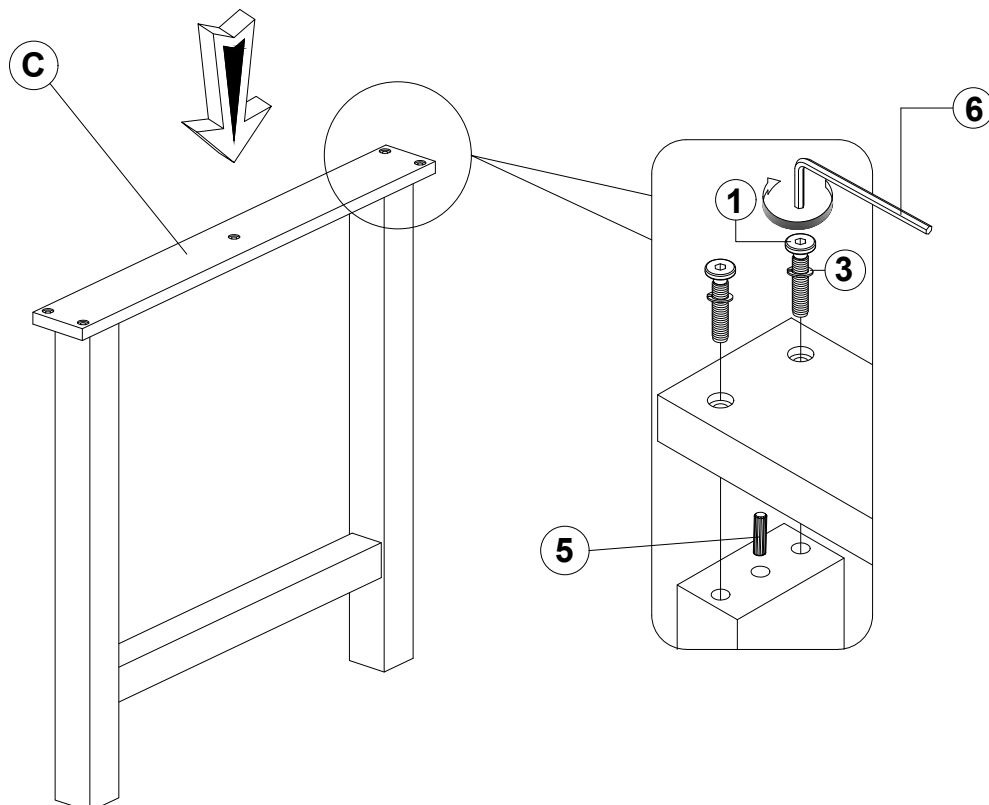
ITEM: **122341**

ASSEMBLY INSTRUCTIONS

STEP 1



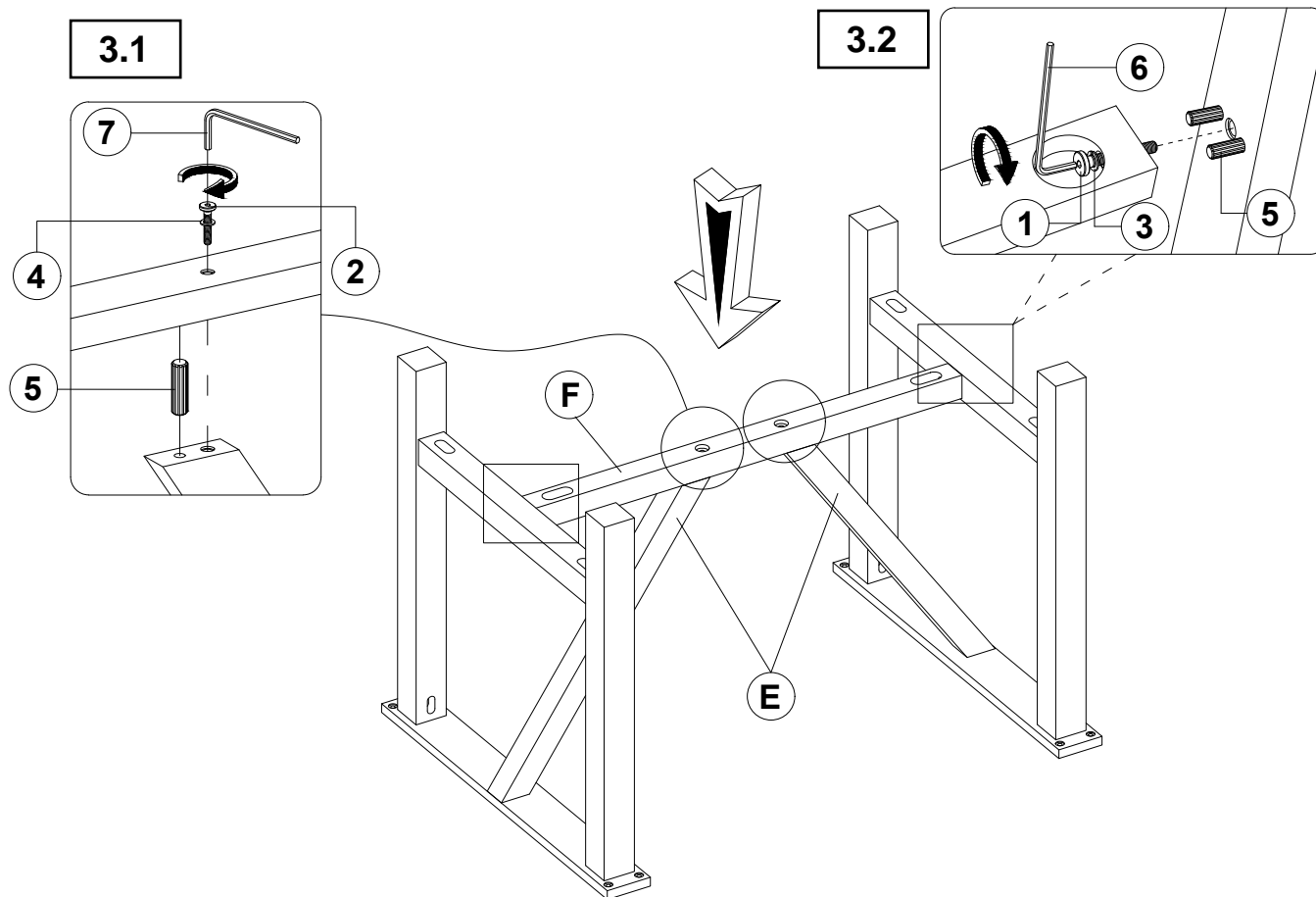
STEP 2



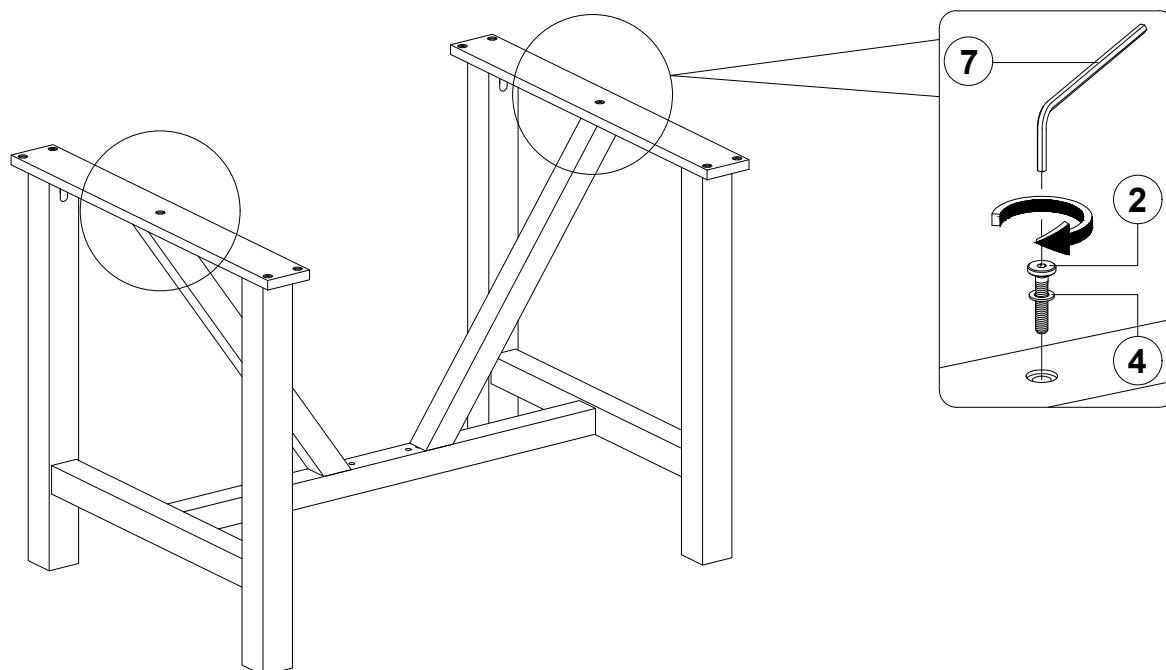
ITEM: **122341**

ASSEMBLY INSTRUCTIONS

STEP 3



STEP 4



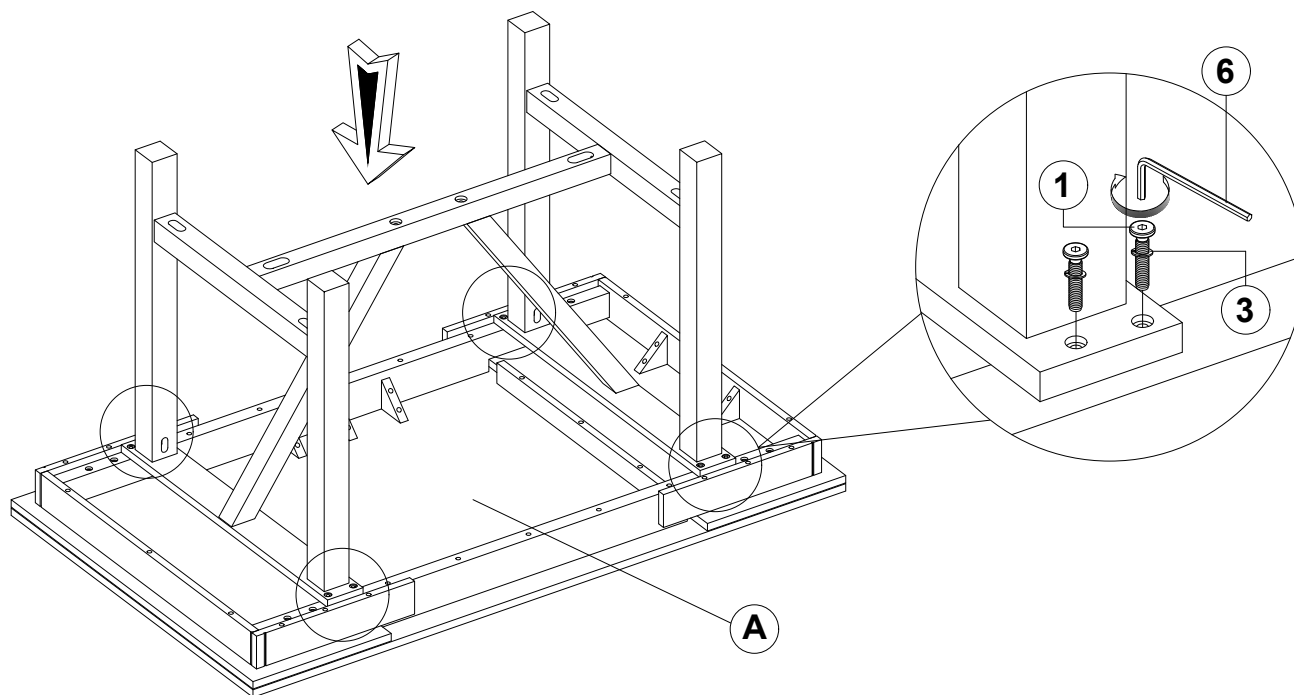
ITEM: **122341**



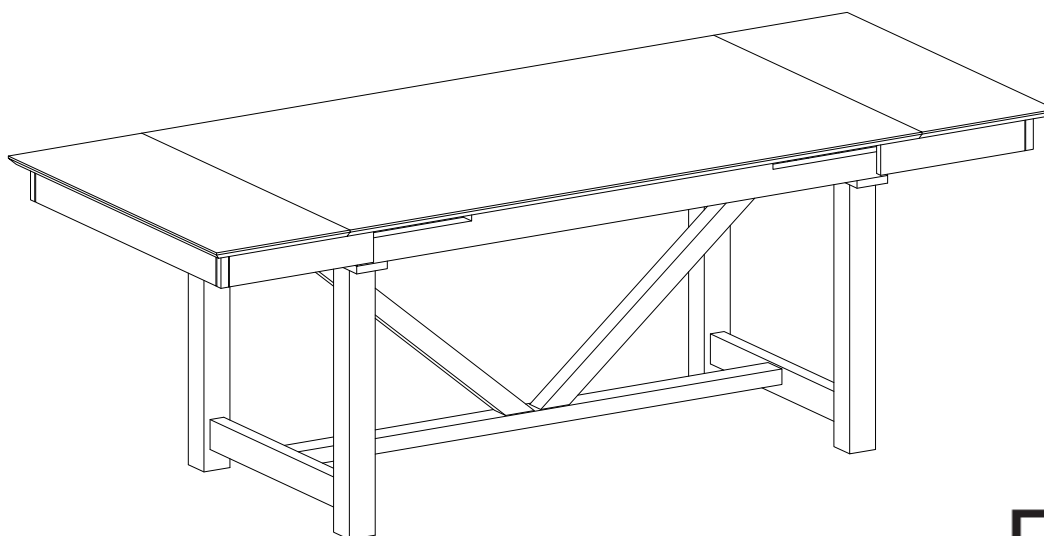
ASSEMBLY INSTRUCTIONS

STEP 5

* Do not fully tighten the bolts (hardware#1) until all the 8pcs bolts have been screwed into place.



STEP 6 COMPLETE



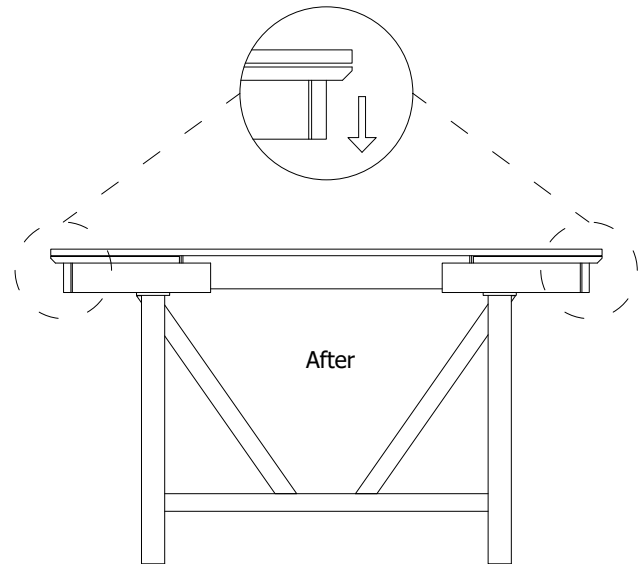
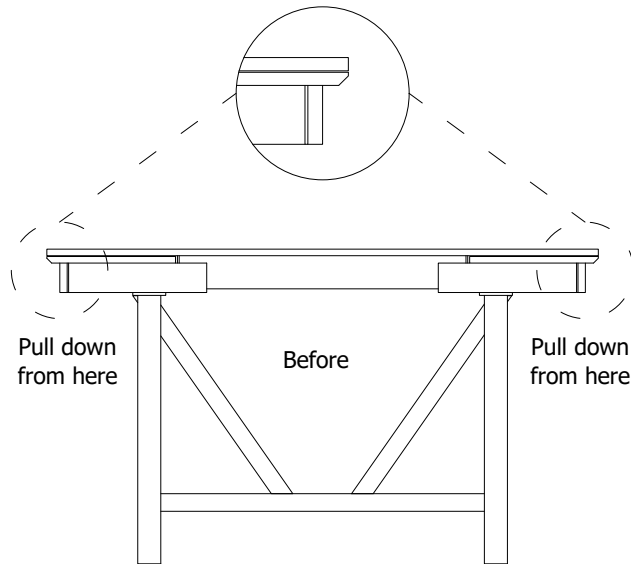
ITEM: **122341**



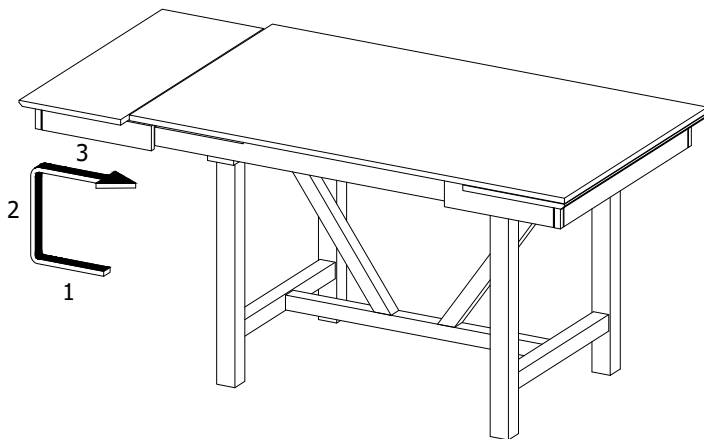
ASSEMBLY INSTRUCTIONS

STEP 7

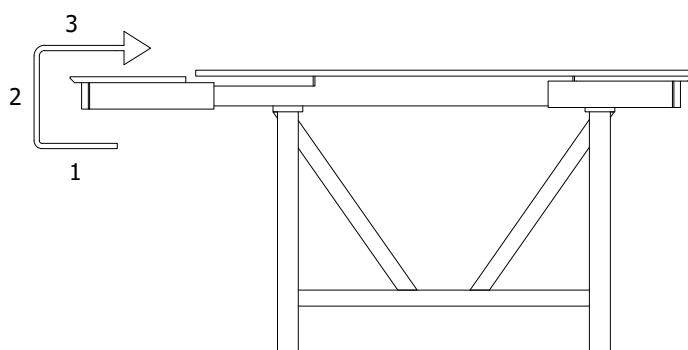
* To avoid scratching the table top. To extend the extension tops "please first pull down on the bottom of the extension top so it shows a slight opening"



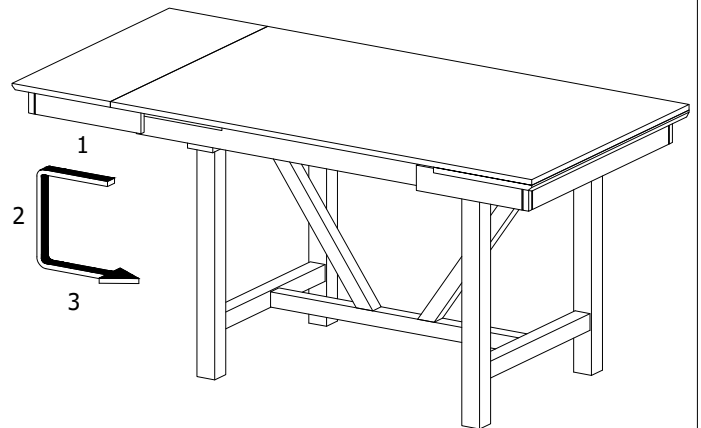
STEP 8



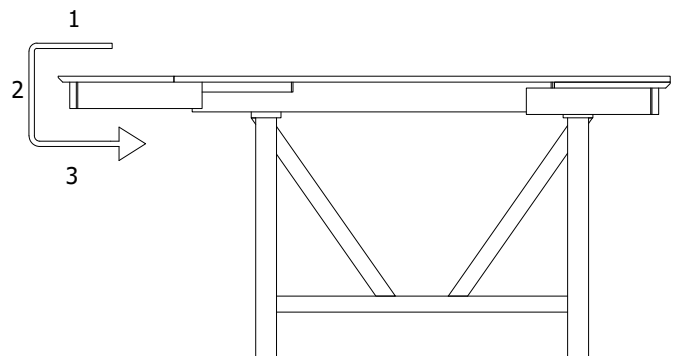
Once opening is shown, please slide back and the extension top can be popped up



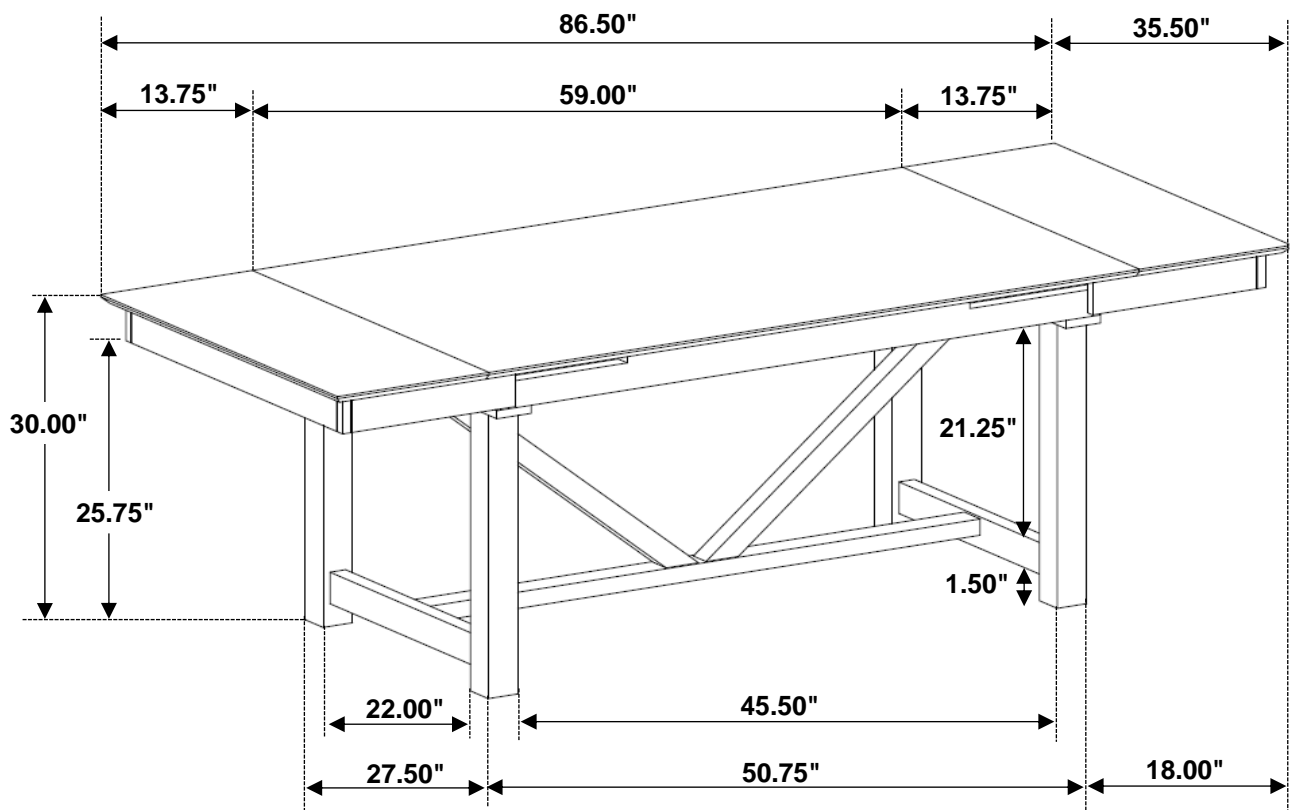
STEP 9



To put away the extension tops "please first pull back on the extension top and push down and the extension top can be stored below the table"



ITEM: 122341



Note: Dimension tolerance $\pm 5\%$