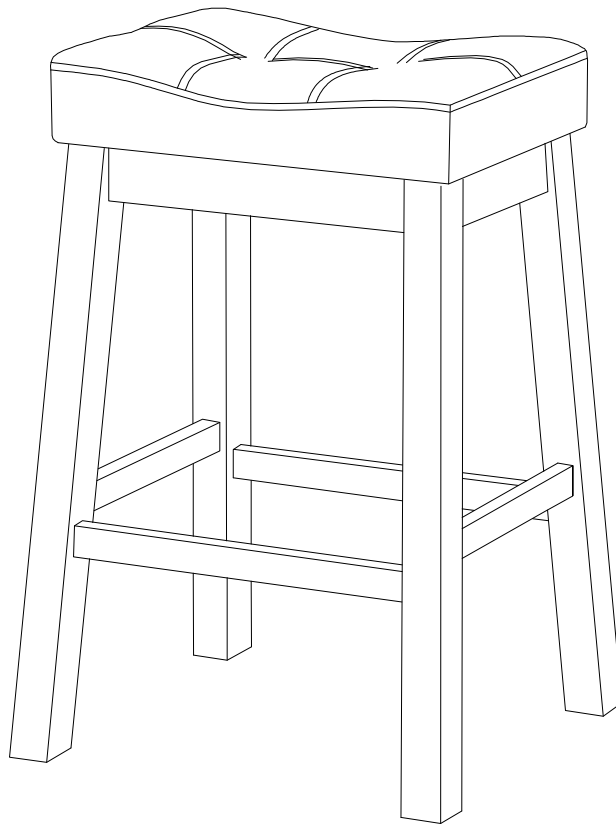


ASSEMBLY INSTRUCTIONS
COASTER FINE FURNITURE



Fine Furniture for every stage of life

120519
Counter Height Stool

REVISION 0 : 01/03/2019
REVISION 1 : 06/06/2019
REVISION 2 : 10/17/2019
REVISION 3 : 07/18/2022
REVISION 4 : 03/15/2023
REVISION 5 : 11/18/2023

ITEM:120519



ASSEMBLY INSTRUCTIONS

ASSEMBLY TIPS:

1. Remove hardware from box and sort by size.
2. Please check to see that all hardware and parts are present prior to start of assembly.
3. Please follow attached instructions in the same sequence as numbered to assure fast & easy assembly.



WARNING!


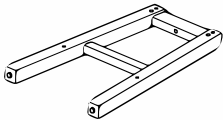
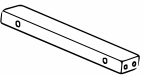
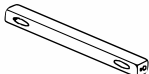
1. Don't attempt to repair or modify parts that are broken or defective. Please contact the store immediately.
2. This product is for home use only and not intended for commercial establishments.








ASSEMBLY TIME

30 MINUTES

PARTS IDENTIFICATION

- A SEAT  1PC
- B SIDE FRAME  2PCS
- C SMALL CROSSBAR  2PCS
- D LARGE CROSSBAR  2PCS

Z HARDWARE IDENTIFICATION

NO	DESCRIPTION	FIGURE	Q' TY
1	ALLEN KEY 5mm		1PC
2	BOLT 5/16X1-3/4"		4PCS
3	LOCK WASHER 5/16"		4PCS
4	WOOD CAP 15X19MM		4PCS
5	SCREW 8X1-3/4"		10PCS

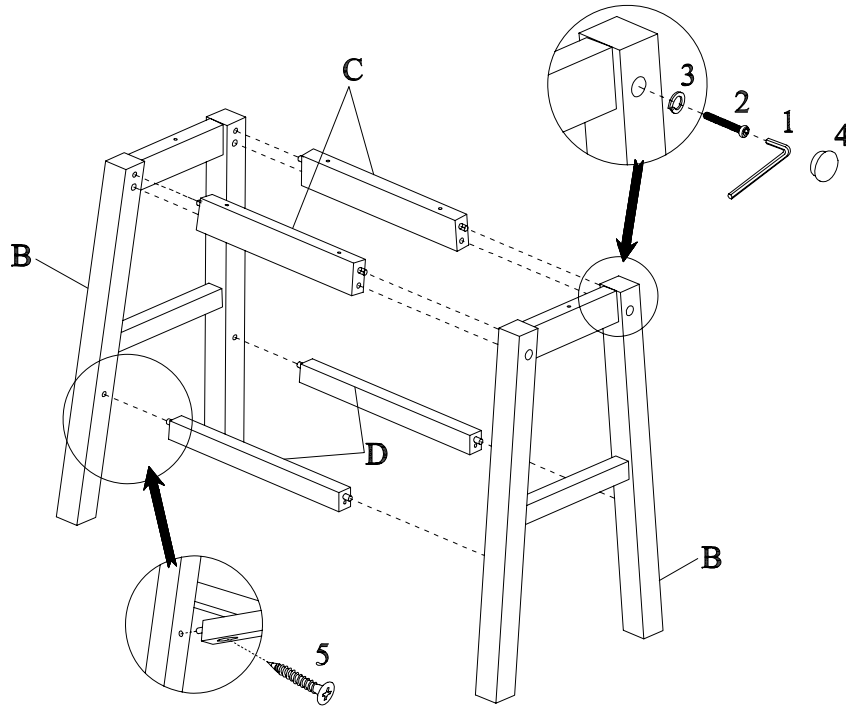
NOTE:

Quantities shown are for one stool.
Phillips head screw driver is required in the assembly process; however, manufacturer does not provide this item.

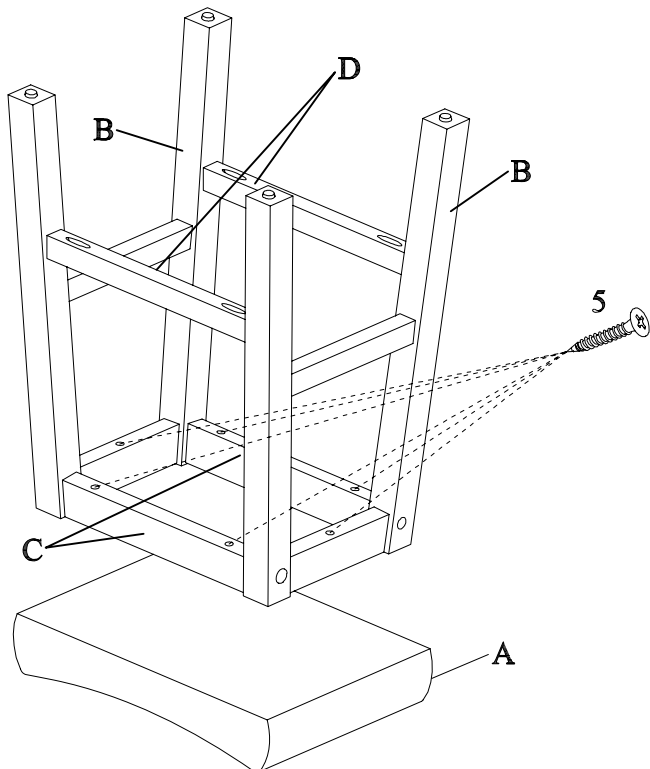
ITEM:120519

ASSEMBLY INSTRUCTIONS

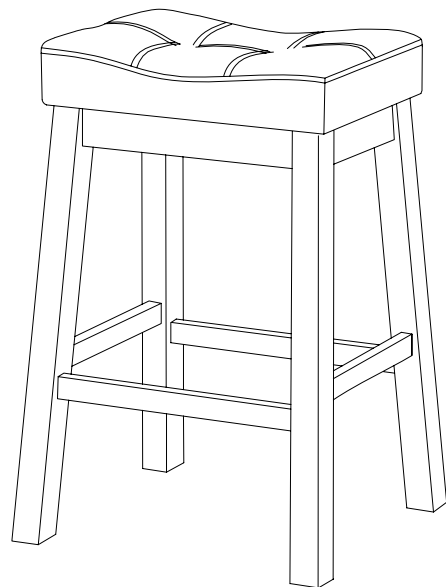
STEP: 1



STEP: 2



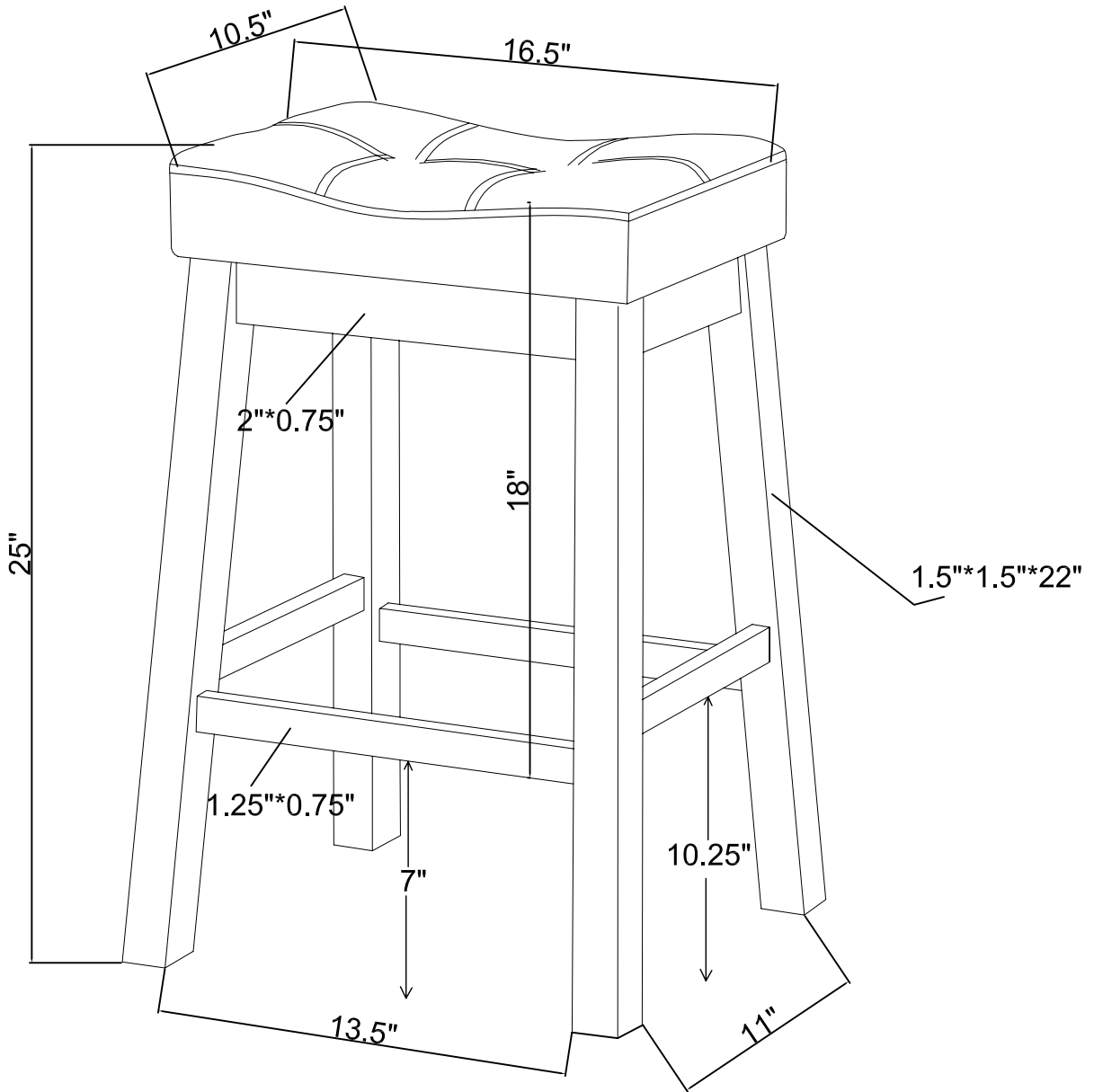
STEP: 3



ITEM:120519



ASSEMBLY INSTRUCTIONS



Note: Dimension tolerance $\pm 5\%$