



ASSEMBLY INSTRUCTIONS

COASTER FINE FURNITURE



Fine Furniture for every stage of life

REVISION 0: 06/15/2022

REVISION 1: 11/15/2023

183646

Bar stool

ITEM: **183646**



ASSEMBLY INSTRUCTIONS

ASSEMBLY TIPS:

1. Remove hardware from box and sort by size.
2. Please check to see that all hardware and parts are present prior to start of assembly.
3. Please follow attached instructions in the same sequence as numbered to assure fast & easy assembly.



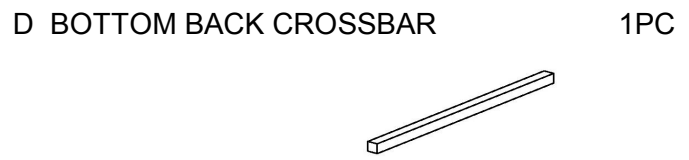
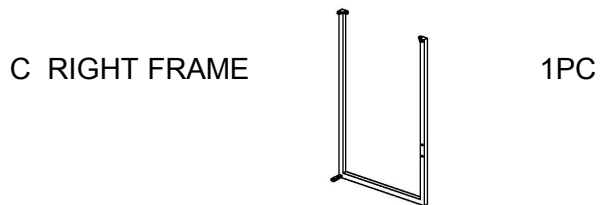
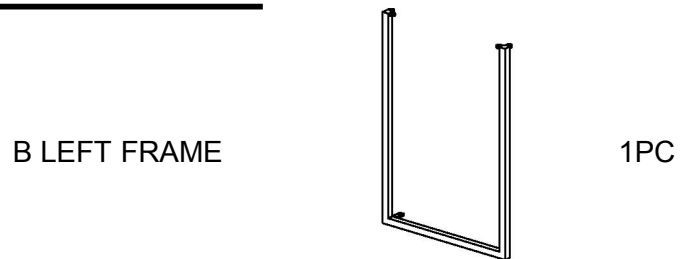
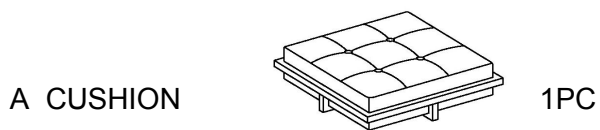
WARNING

1. Don't attempt to repair or modify parts that are broken or defective. Please contact the store immediately.
2. This product is for home use only and not intend for commercial establishments.

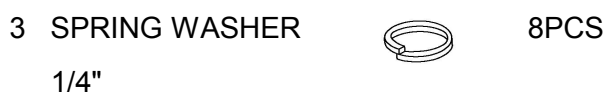
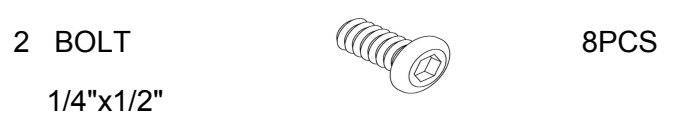
ASSEMBLY TIME

20 MINUTES

PARTS IDENTIFICATION



HARDWARE IDENTIFICATION



NOTE:

Quantities shown are for one stool.

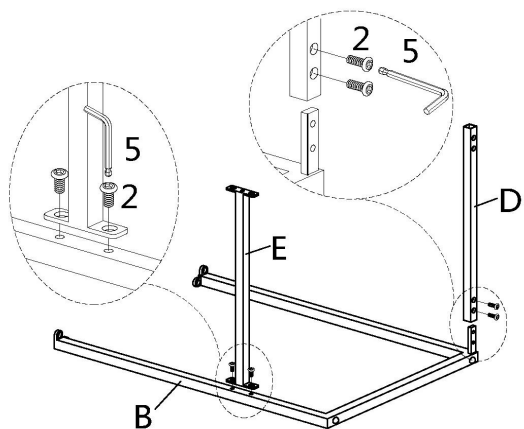
ITEM: 183646

ASSEMBLY INSTRUCTIONS



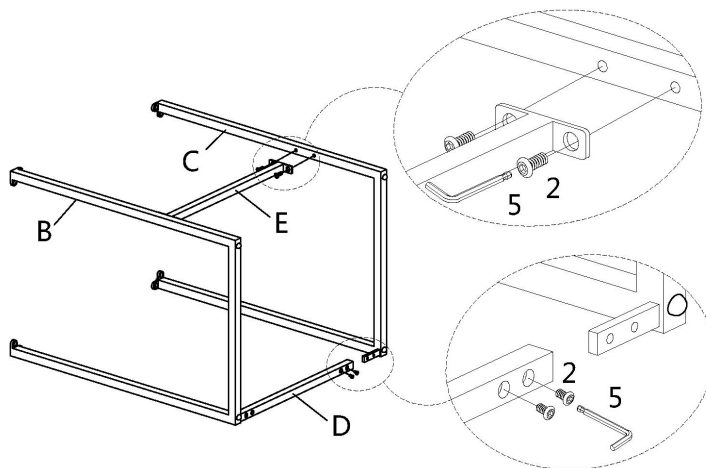
STEP 1

2		4PCS
5		1PC



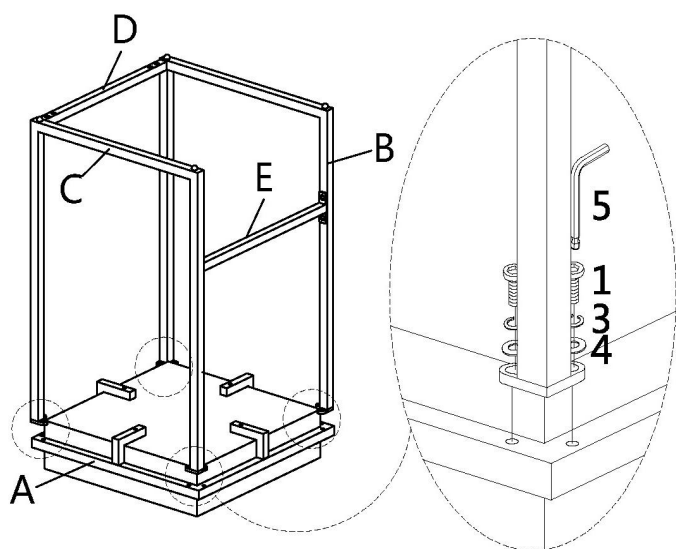
STEP 2

2		4PCS
5		1PC

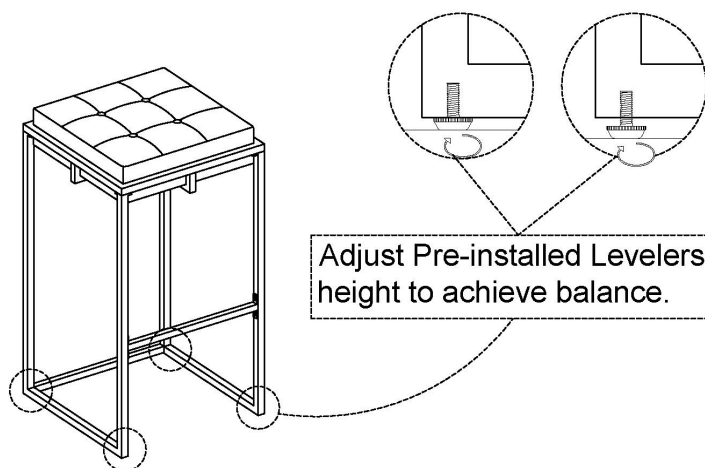


STEP 3

1		8PCS
3		8PCS
4		8PCS
5		1PC



STEP 4



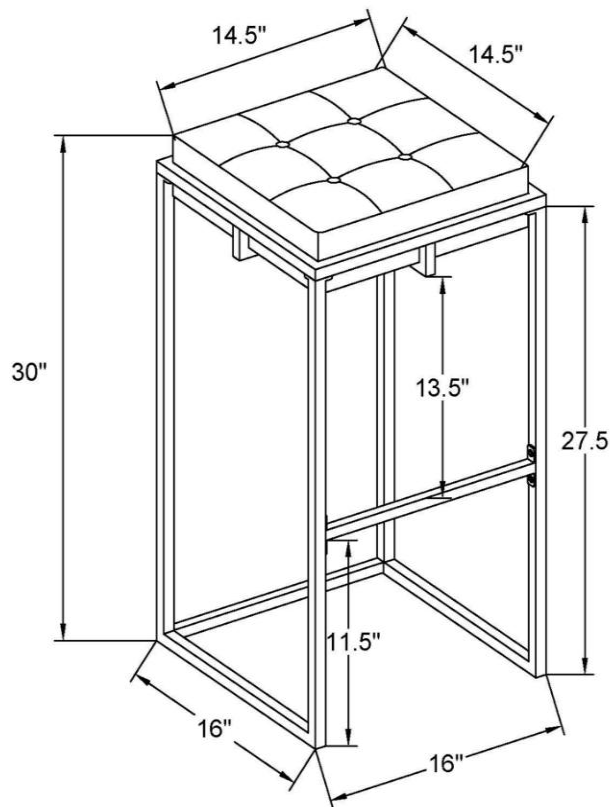
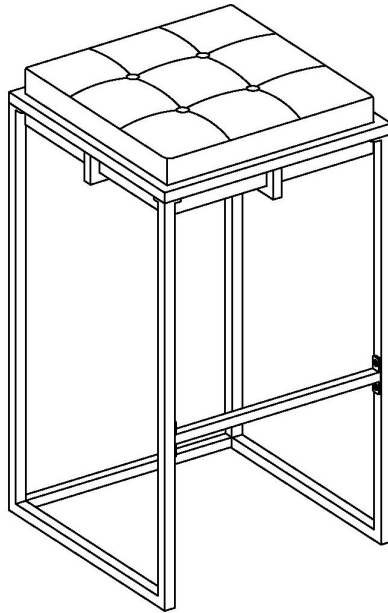
Adjust Pre-installed Levelers height to achieve balance.

ITEM: 183646



STEP 5

COMPLETE



Note: Dimension tolerance $\pm 5\%$