



ASSEMBLY INSTRUCTIONS COASTER FINE FURNITURE



Fine Furniture for every stage of life

192061 Dining Table

REVISION 0 : 06/17/2019
REVISION 1 : 04/06/2020
REVISION 2 : 08/02/2022
REVISION 3 : 11/20/2023

ITEM: 192061



ASSEMBLY INSTRUCTIONS

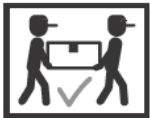
ASSEMBLY TIPS:

1. Remove hardware from box and sort by size.
2. Please check to see that all hardware and parts are present prior start of assembly.
3. Please follow attached instructions in the same sequence as numbered to assure fast & easy assembly.



WARNING!

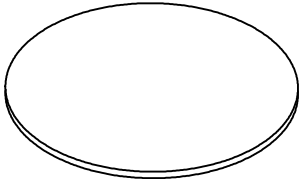
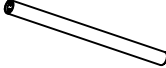
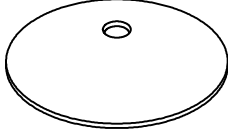
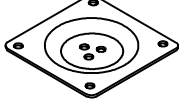
1. Don't attempt to repair or modify parts that are broken or defective .Please contact the store immediately.
2. This product is for home use only and not intended for commercial establishment.












ASSEMBLY TIME

15 MINUTES

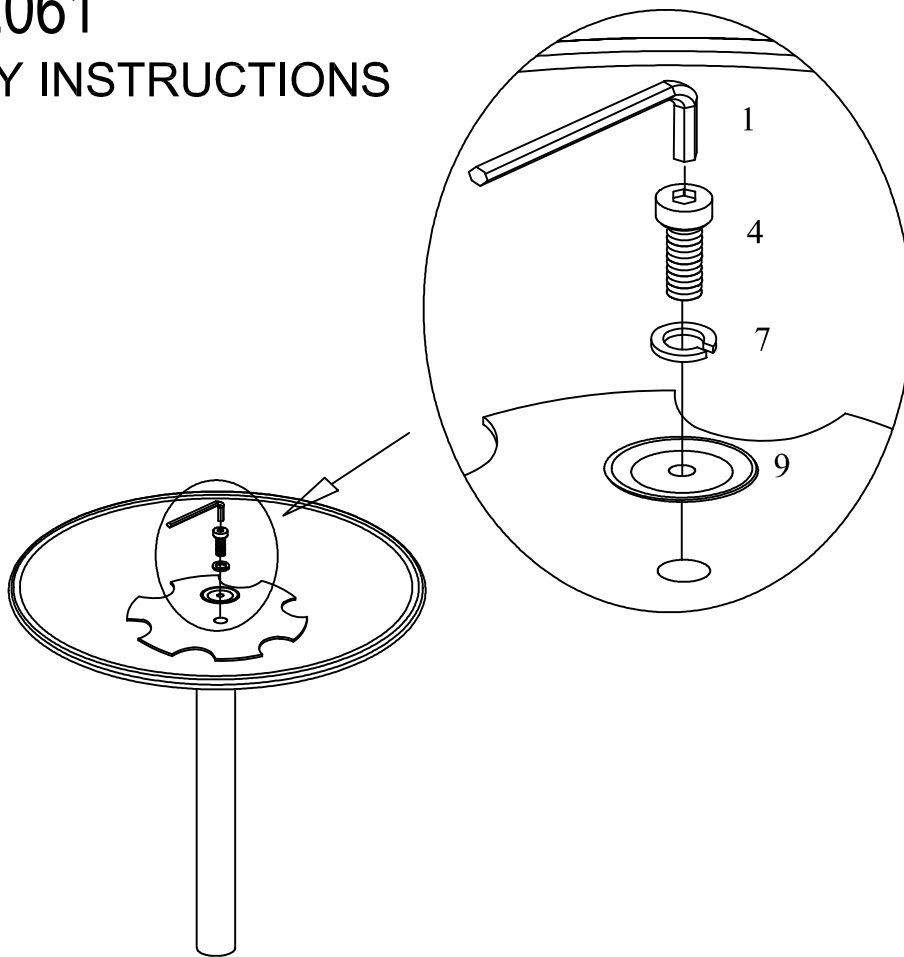
PARTS IDENTIFICATION

B1 (BOX 1)		B2 (BOX 2)	
A TOP	 1PC	B POST	 1PC
		C BASE	 1PC
		D MOUNTING PLATE	 1PC

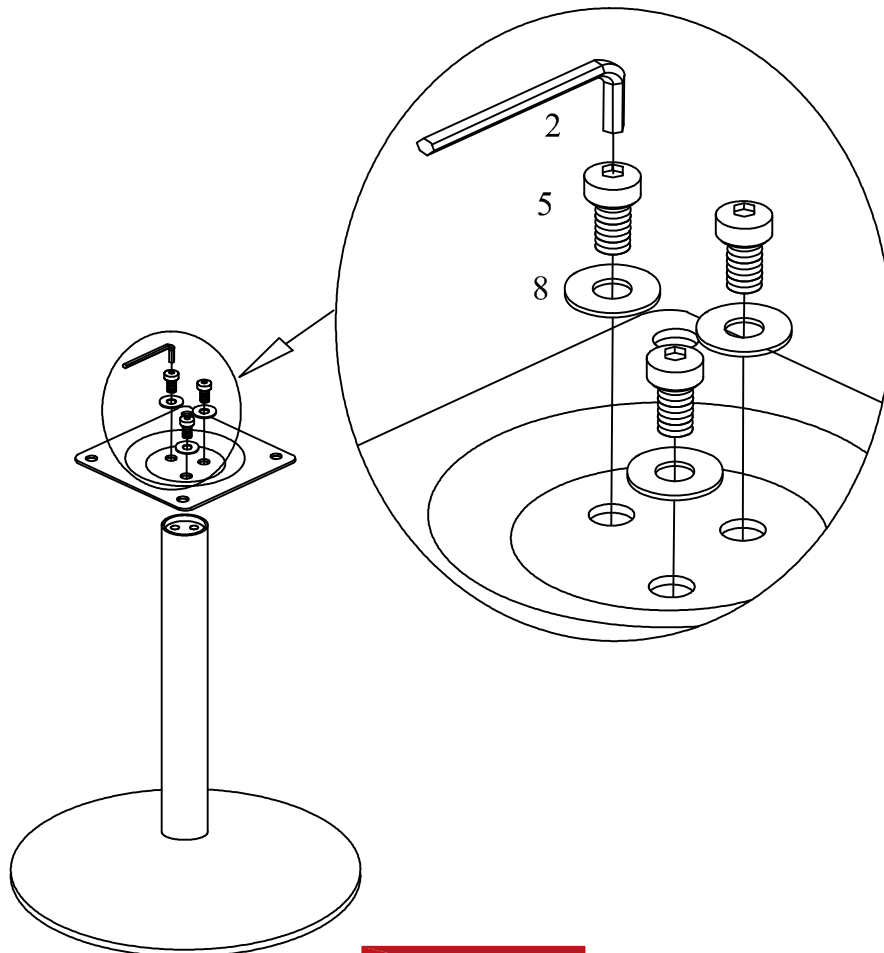
HARDWARE IDENTIFICATION

Z	HARDWARE PACK	Hardware pack is located in 192061B2	
1	ALLEN WRENCH M10-SR		1PC
2	ALLEN WRENCH M6-SR		1PC
3	ALLEN WRENCH M5-SR		1PC
4	BOLT M12" *80MM-BLK		1PC
5	BOLT M8" *30MM-BLK		3PCS
6	BOLT Ø5/16" *15MM-RBW		4PCS
7	LOCK WASHER Ø17 *Ø 13-SR		1PC
8	FLAT WASHER Ø17 *Ø8.3-SR		7PCS
9	WASHER Ø5/16 *15MM-SR		1PC

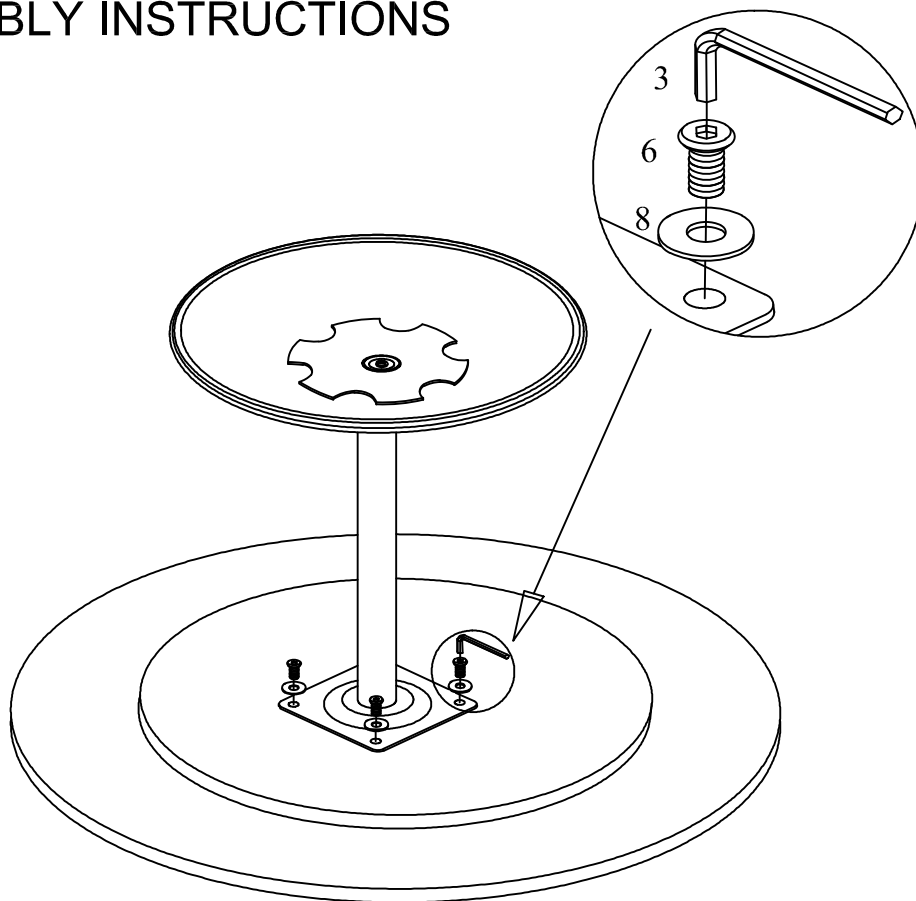
ITEM: 192061
ASSEMBLY INSTRUCTIONS
STEP 1



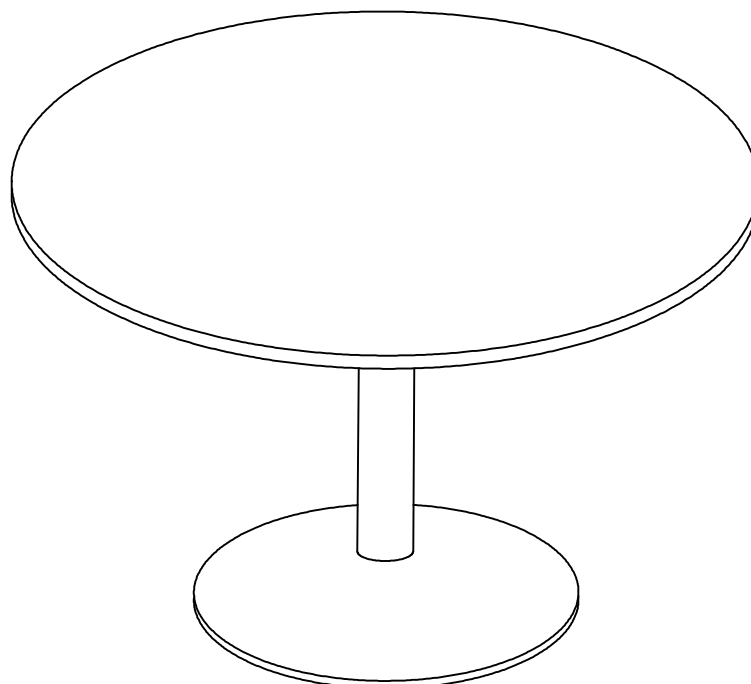
STEP 2



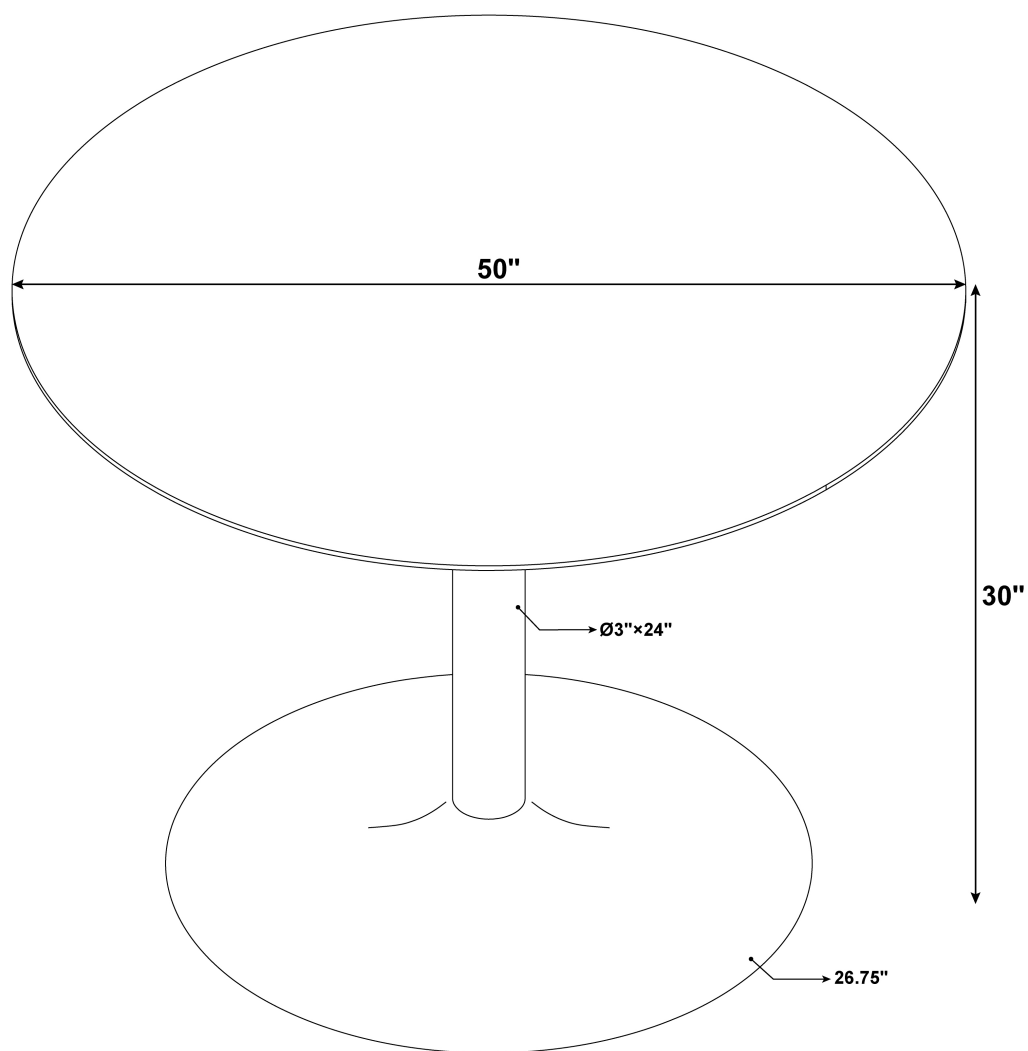
ITEM: 192061
ASSEMBLY INSTRUCTIONS
STEP 3



STEP 4



ITEM: 192061
ASSEMBLY INSTRUCTIONS



Note :Dimension tolerance $\pm 5\%$

