

ASSEMBLY INSTRUCTIONS
COASTER FINE FURNITURE



Fine Furniture for every stage of life

190442
Dining Chair

REVISION 0: 06/24/2021

REVISION 1: 08/11/2022

REVISION 2: 11/15/2023

PAGE 1 OF 3

COASTERFURNITURE.COM

ITEM:190442



ASSEMBLY INSTRUCTIONS

ASSEMBLY TIPS:

1. Remove hardware from box and sort by size.
2. Please check to see that all hardware and parts are present prior to start of assembly.
3. Please follow attached instructions in the same sequence as numbered to assure fast & easy assembly.

Warning !!

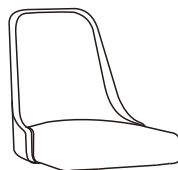
1. Don't attempt to repair or modify parts that are broken or defective. Please contact the store immediately.
2. This product is for home use only and not intended for commercial establishment.

ASSEMBLY TIME

15 MINUTES

PARTS IDENTIFICATION

A CHAIR SEAT & BACK



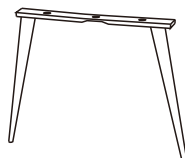
1PC

C UPPER LEG FRAME



1PC

B LOWER LEG FRAME



1PC

Z

HARDWARE IDENTIFICATION

1 BOLT (M6 x 30mm - BLK)



5PCS

2 WASHER (Ø6 x 20 x 2mm - BLK)



5PCS

3 ALLEN WRENCH (5mm - GD)



1PC

NOTE:

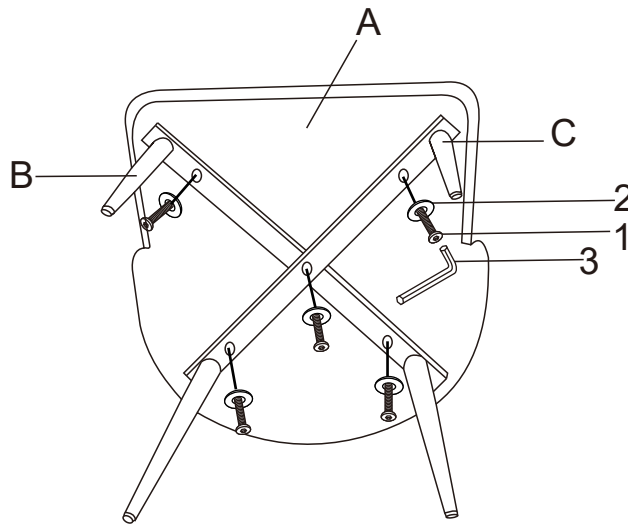
Quantities shown are for one chair.

ITEM:190442

ASSEMBLY INSTRUCTIONS

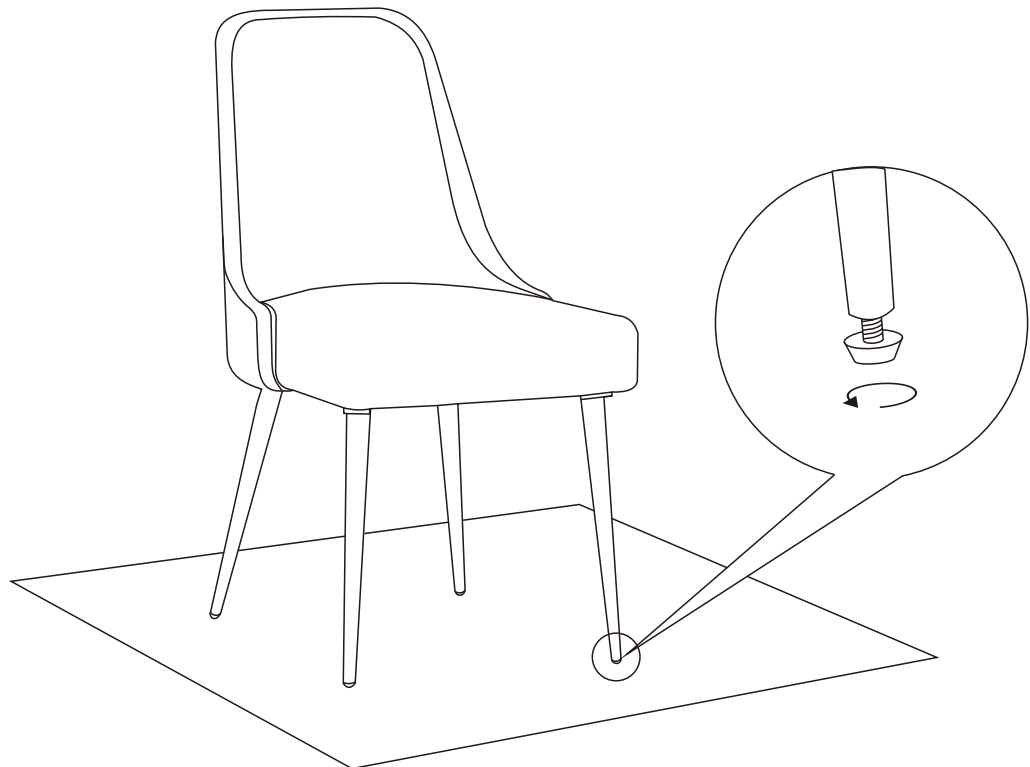


STEP 1

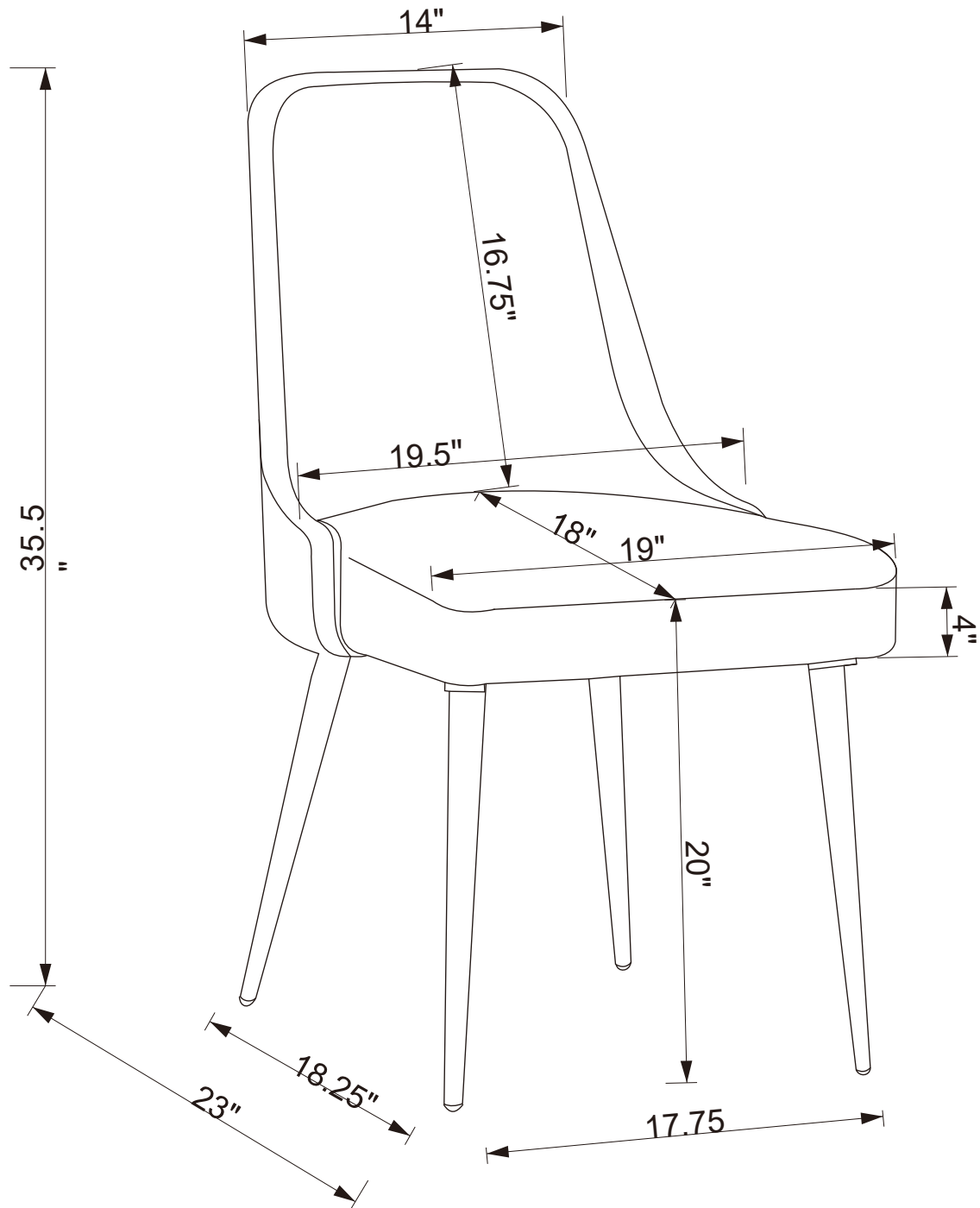


STEP 2

COMPLETE



ITEM:190442



Note: Dimension tolerance $\pm 5\%$