

**ASSEMBLY INSTRUCTIONS**  
**COASTER FINE FURNITURE**



*Fine Furniture for every stage of life*

**192549**  
**Counter Height Stool**

REVISION 0: 04/29/2021

REVISION 1: 08/11/2022

REVISION 2: 11/15/2023

PAGE 1 OF 5

COASTERFURNITURE.COM

# ITEM:192549



## ASSEMBLY INSTRUCTIONS

### ASSEMBLY TIPS:

1. Remove hardware from box and sort by size.
2. Please check to see that all hardware and parts are present prior to start of assembly.
3. Please follow attached instructions in the same sequence as numbered to assure fast & easy assembly.

### Warning !!

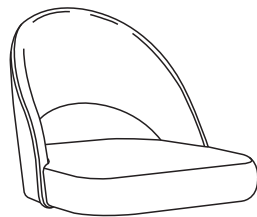
1. Don't attempt to repair or modify parts that are broken or defective. Please contact the store immediately.
2. This product is for home use only and not intended for commercial establishment.

**ASSEMBLY TIME**

**15 MINUTES**

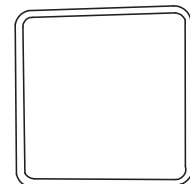
## PARTS IDENTIFICATION

A BACK AND SEAT



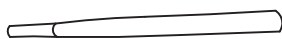
1PC

D FOOTREST



1PC

B LEG



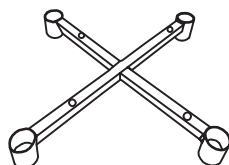
4PCS

E GOLDEN LEG RING



4PCS

C CROSSBAR

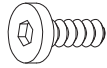


1PC

Z

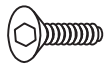
## HARDWARE IDENTIFICATION

1 BOLT ( M6 x 35mm - BLK)



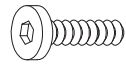
4PCS

2 BOLT ( M6 x2 5mm - GD)



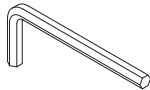
4PCS

3 BOLT (M8 x 55mm - BLK)



4PCS

4 ALLEN WRENCH (5mm - GD)



1PC

5 BOLT WASHER (Ø8 x 20 x 2mm - BLK)



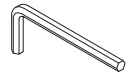
4PCS

6 WASHER (Ø6 x 20 x 2mm - BLK)



4PCS

7 ALLEN WRENCH (4mm - GD)



1PC

### NOTE:

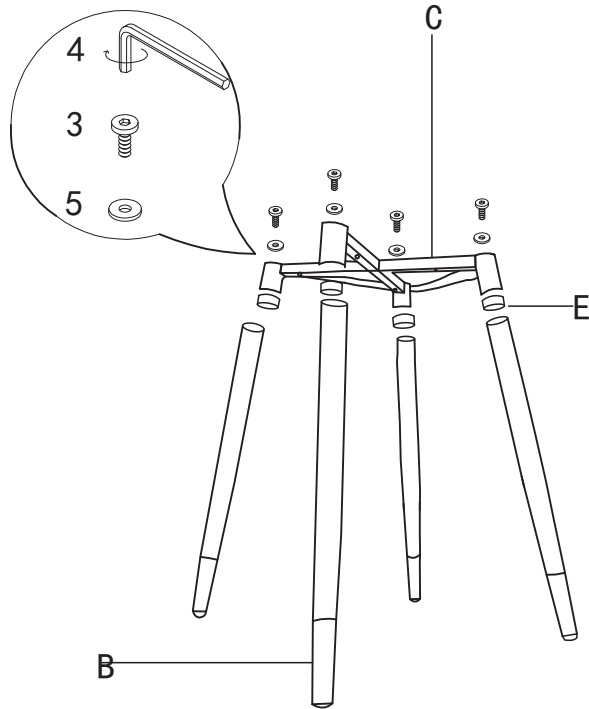
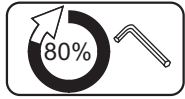
Quantities shown are for one stool.

# ITEM: 192549

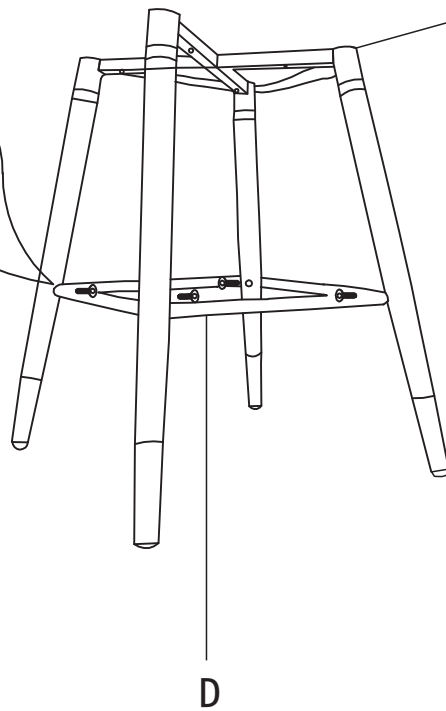
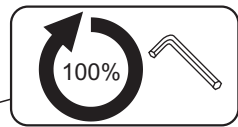
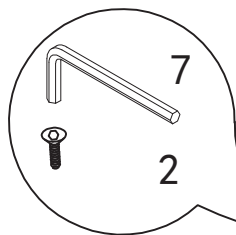
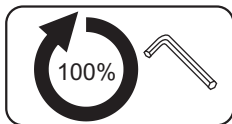
## ASSEMBLY INSTRUCTIONS



### STEP 1



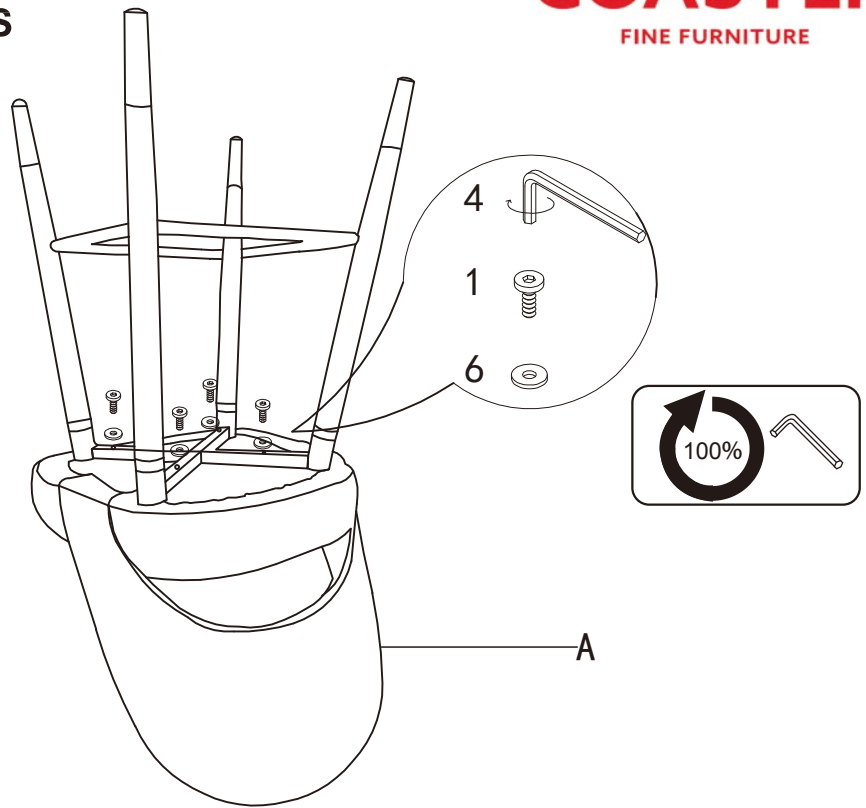
### STEP 2



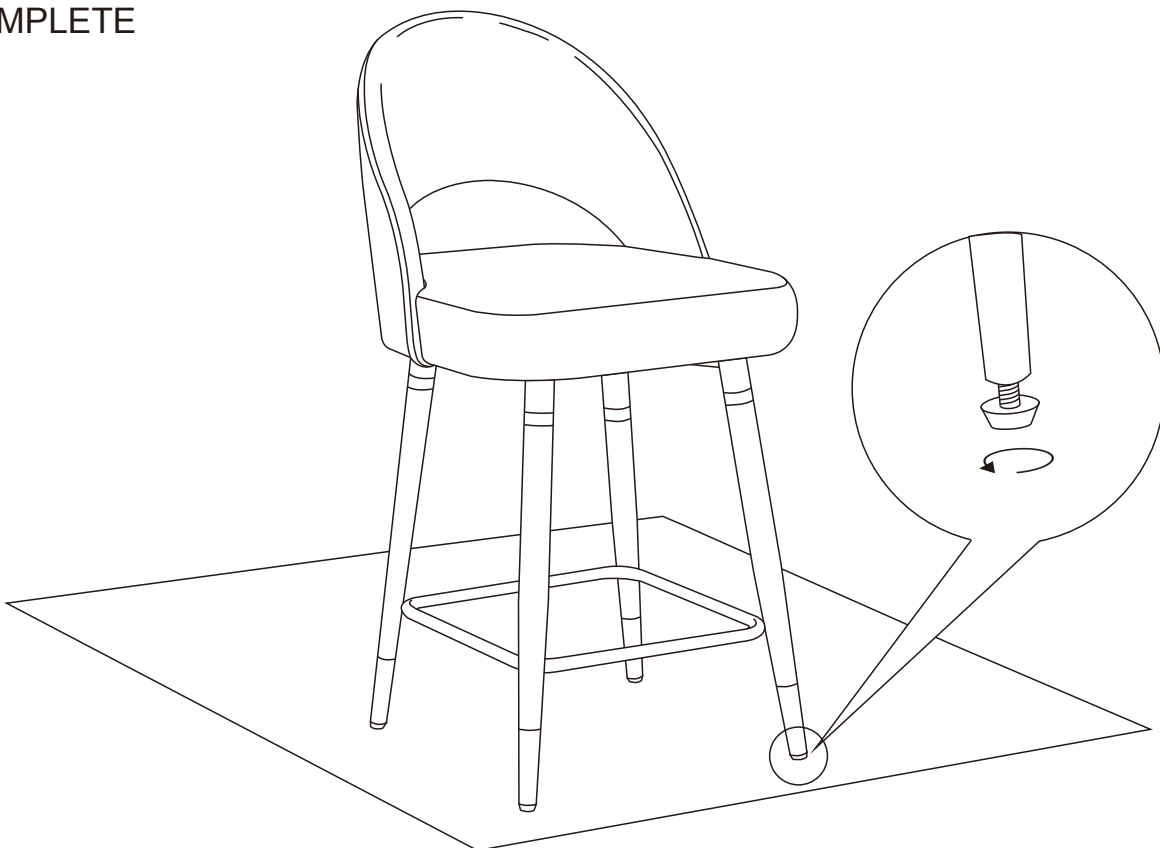
ITEM: **192549**

**ASSEMBLY INSTRUCTIONS**

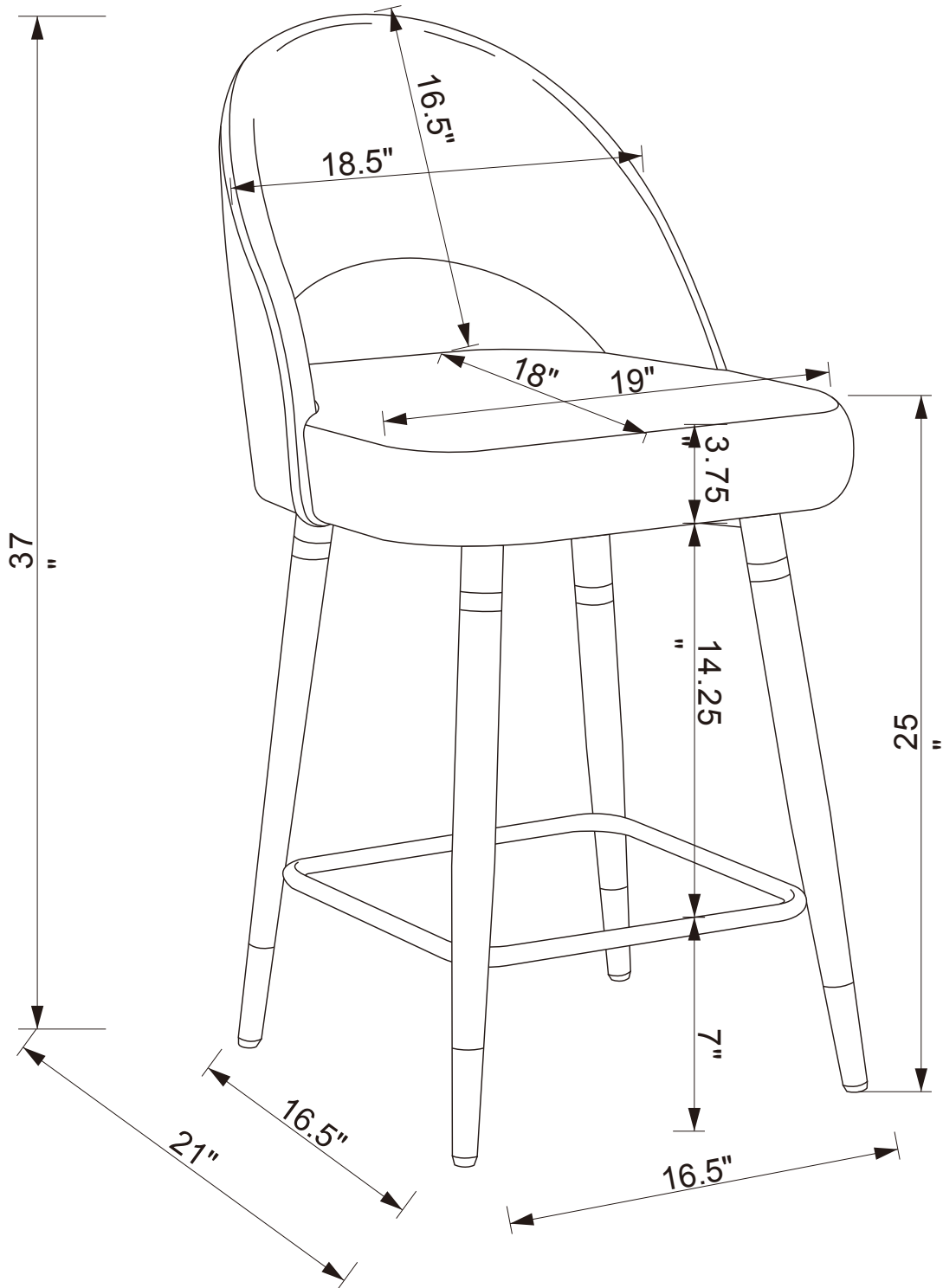
**STEP 3**



**STEP 4**  
**COMPLETE**



# ITEM:192549



Note:Dimension tolerance  $\pm 5\%$