

ASSEMBLY INSTRUCTIONS
COASTER FINE FURNITURE



Fine Furniture for every stage of life

193562
Dining Chair

ITEM:193562



ASSEMBLY INSTRUCTIONS

ASSEMBLY TIPS:

- 1.Remove hardware from box and sort by size.
- 2.Please check to see that all hardware and parts are present prior to start of assembly.
- 3.Please follow attached instructions in the same sequence as numbered to assure fast & easy assembly.



Warning !!

1. Don't attempt to repair or modify parts that are broken or defective. Please contact the store immediately.
2. This product is for home use only and not intended for commercial establishment.

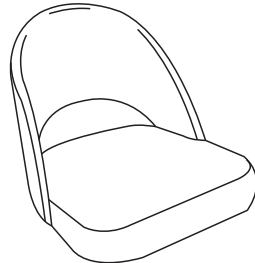
ASSEMBLY TIME

15 MINUTES

PARTS IDENTIFICATION

B1 (BOX 1)

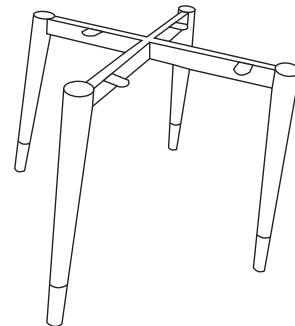
A BACK AND SEAT



1PC

B2 (BOX 2)

B BASE

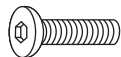


1PC

Z

HARDWARE IDENTIFICATION

1 BOLT (M6 x 25mm -BLK)



4PCS

2 WASHER (Ø6 x 20 x 2mm - BLK)



4PCS

3 ALLEN WRENCH (5mm - GD)



1PC

NOTE:

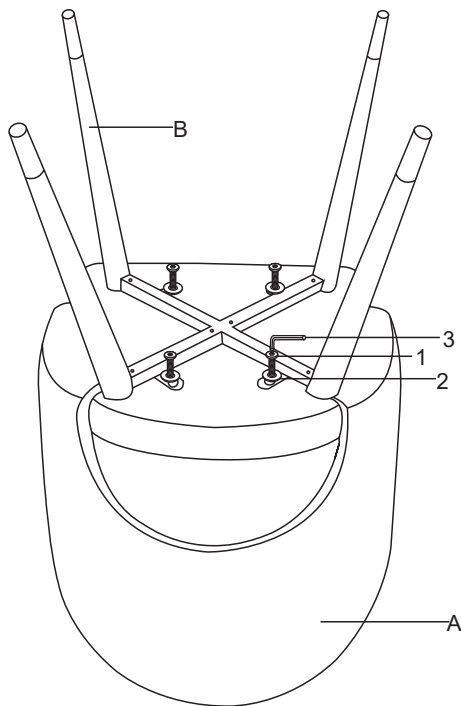
Hardware pack is located in 193562B2.
Quantities shown are for one chair.

ITEM: **193562**

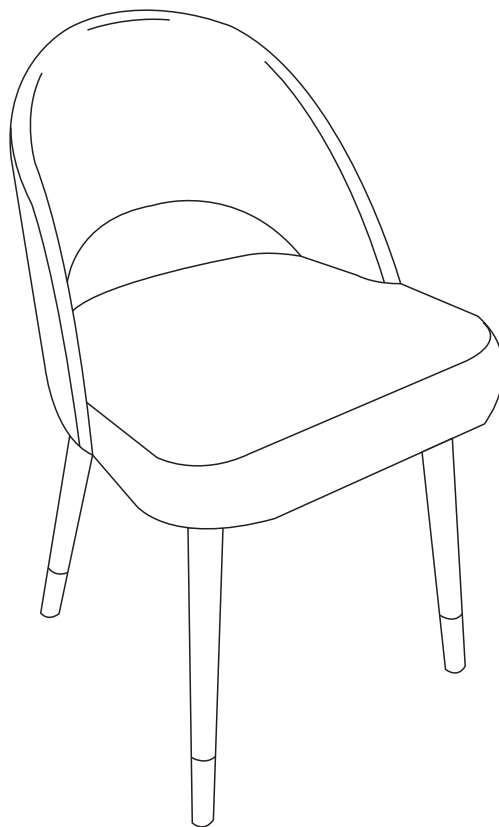
ASSEMBLY INSTRUCTIONS



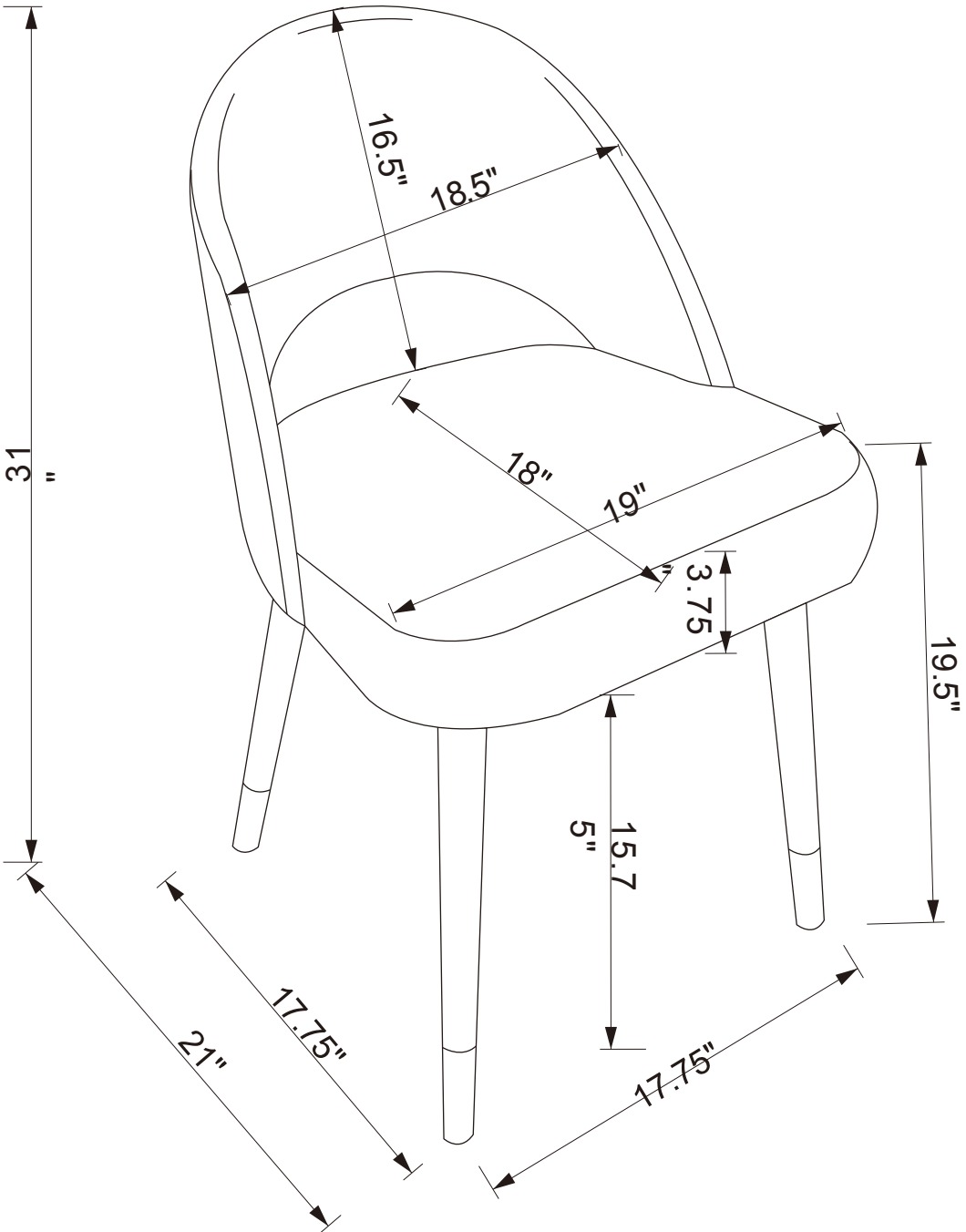
STEP 1



STEP 2
COMPLETE



ITEM:193562



Note: Dimension tolerance $\pm 5\%$