

*ASSEMBLY INSTRUCTIONS*  
*COASTER FINE FURNITURE*



*Fine Furniture for every stage of life*

ITEM:182358



# ASSEMBLY INSTRUCTIONS

## ASSEMBLY TIPS:

1. Remove hardware from box and sort by size.
2. Please check to see that all hardware and parts are present prior to start of assembly.
3. Please follow attached instructions in the same sequence as numbered to assure fast & easy assembly.



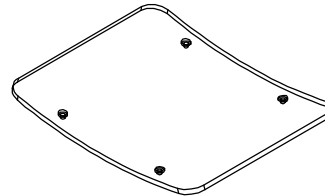
## WARNING!

1. Don't attempt to repair or modify parts that are broken or defective. Please contact the store immediately.
2. This product is for home use only and not intended for commercial establishments.

ASSEMBLY TIME 35 MINUTES

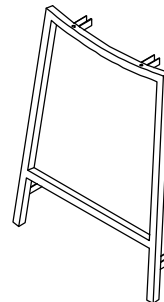
## PARTS IDENTIFICATION

A ACRYLIC SEAT



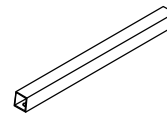
1PC

B FRONT AND BACK FRAME



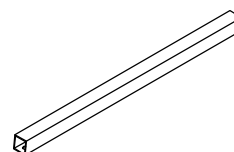
2PCS

C TOP CROSSBAR



2PCS

D BOTTOM CROSSBAR



2PCS

ITEM:182358



# ASSEMBLY INSTRUCTIONS

Z

## HARDWARE IDENTIFICATION

1 SHORT BOLT  
(1/4" x 12mm SR) 16PCS



2 LONG BOLT  
(1/4" x 35mm SR) 4PCS



3 NUT 4PCS



4 CAP  
(20 x 20mm BLK) 4PCS



5 PLASTIC BUSHING 4PCS



6 SPRING WASHER 4PCS



7 ALLEN WRENCH  
(4mm) 1PC



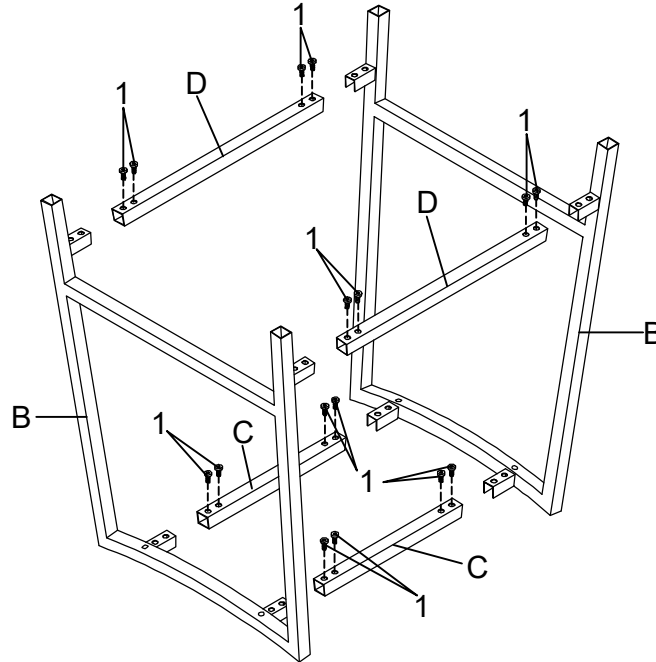
NOTE:QUANTITIES SHOWN ARE FOR ONE STOOL

ITEM:182358

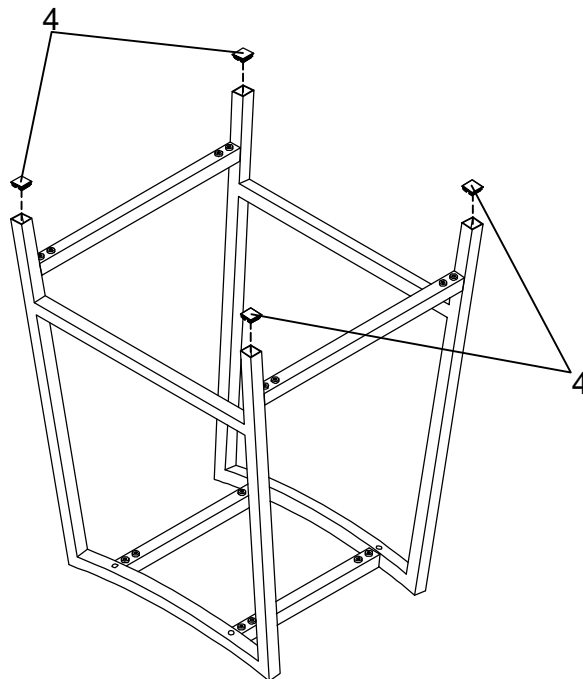
# ASSEMBLY INSTRUCTIONS



**STEP 1** Do not tighten until each step is completed or instructed.



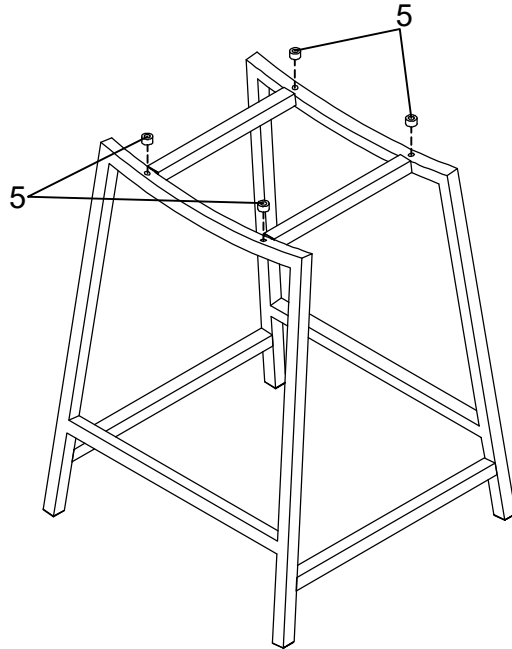
## STEP 2



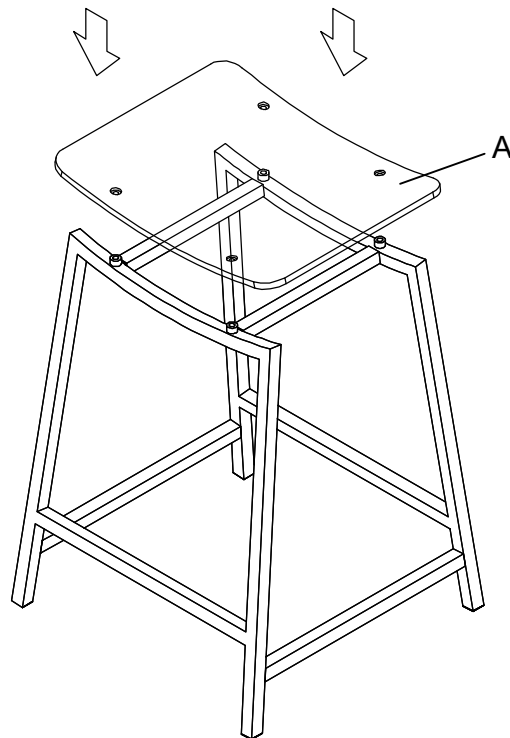
ITEM:182358

# ASSEMBLY INSTRUCTIONS

## STEP 3



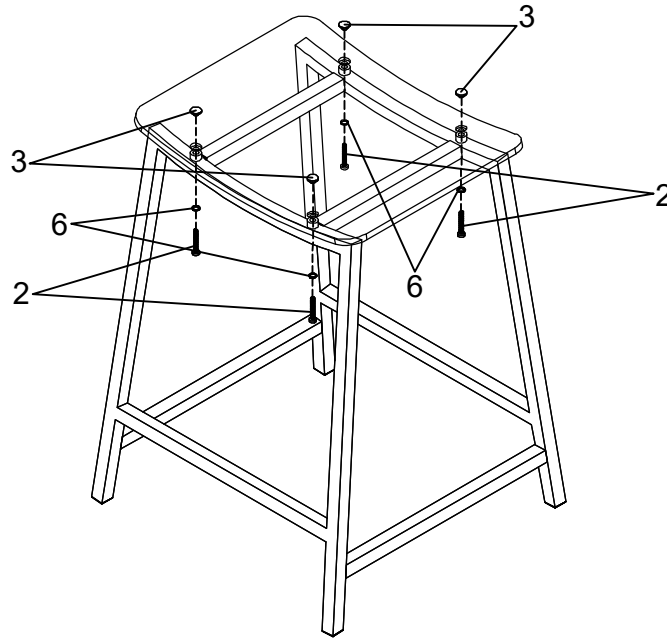
## STEP 4



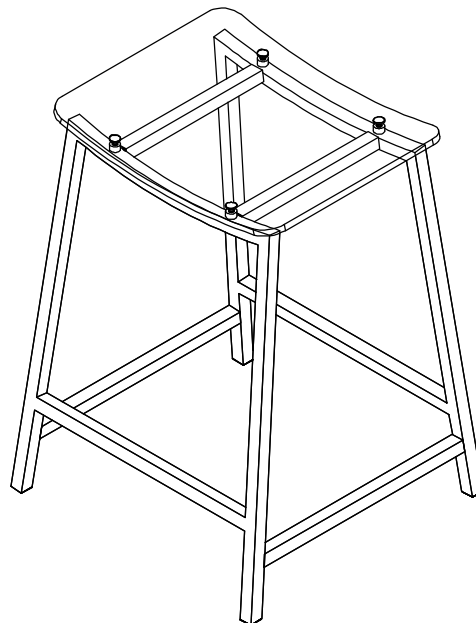
ITEM:182358

# ASSEMBLY INSTRUCTIONS

## STEP 5



## STEP 6 COMPLETE



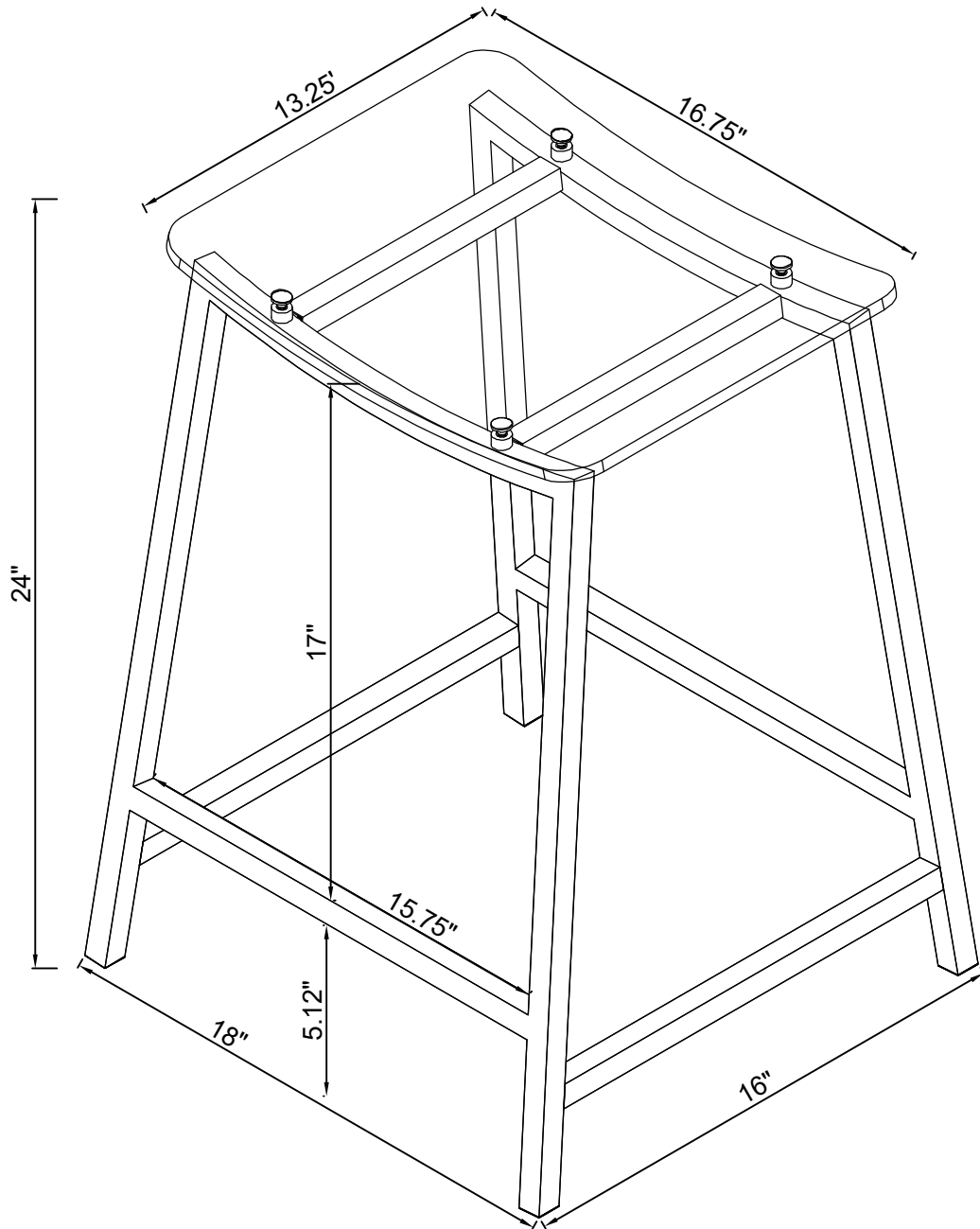
How to clean Acrylic product:  
Using a dry soft microfiber cloth, lightly brush off any dust.  
For additional care, dampen the cloth with warm water.  
For deepest cleaning, use an Acrylic cleaner.

# ITEM:182358

## ASSEMBLY INSTRUCTIONS



Product Size : 457 X 406 X 610 H (MM)
Product Size : 18" X 16" X 24"



Note : Dimension tolerance  $\pm 5\%$