

ASSEMBLY INSTRUCTIONS
COASTER FINE FURNITURE



Fine Furniture for every stage of life

224337
Vanity Table

ITEM: **224337**



ASSEMBLY INSTRUCTIONS

ASSEMBLY TIPS:

1. Remove hardware from box and sort by size.
2. Please check to see that all hardware and parts are present prior to start of assembly.
3. Please follow attached instructions in the same sequence as numbered to assure fast & easy assembly.



WARNING!

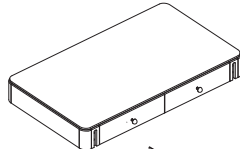





1. Don't attempt to repair or modify parts that are broken or defective. Please contact the store immediately.
2. This product is for home use only and not intended for commercial establishments.








ASSEMBLY TIME

15 MINUTES

PART IDENTIFICATION

A	TABLE		1PC
B	FRONT LEG		2PCS
C	LEFT BACK LEG		1PC
D	RIGHT BACK LEG		1PC
E	SHORT METAL STRETCHER		2PCS
F	LONG METAL STRETCHER		1PC

HARDWARE IDENTIFICATION

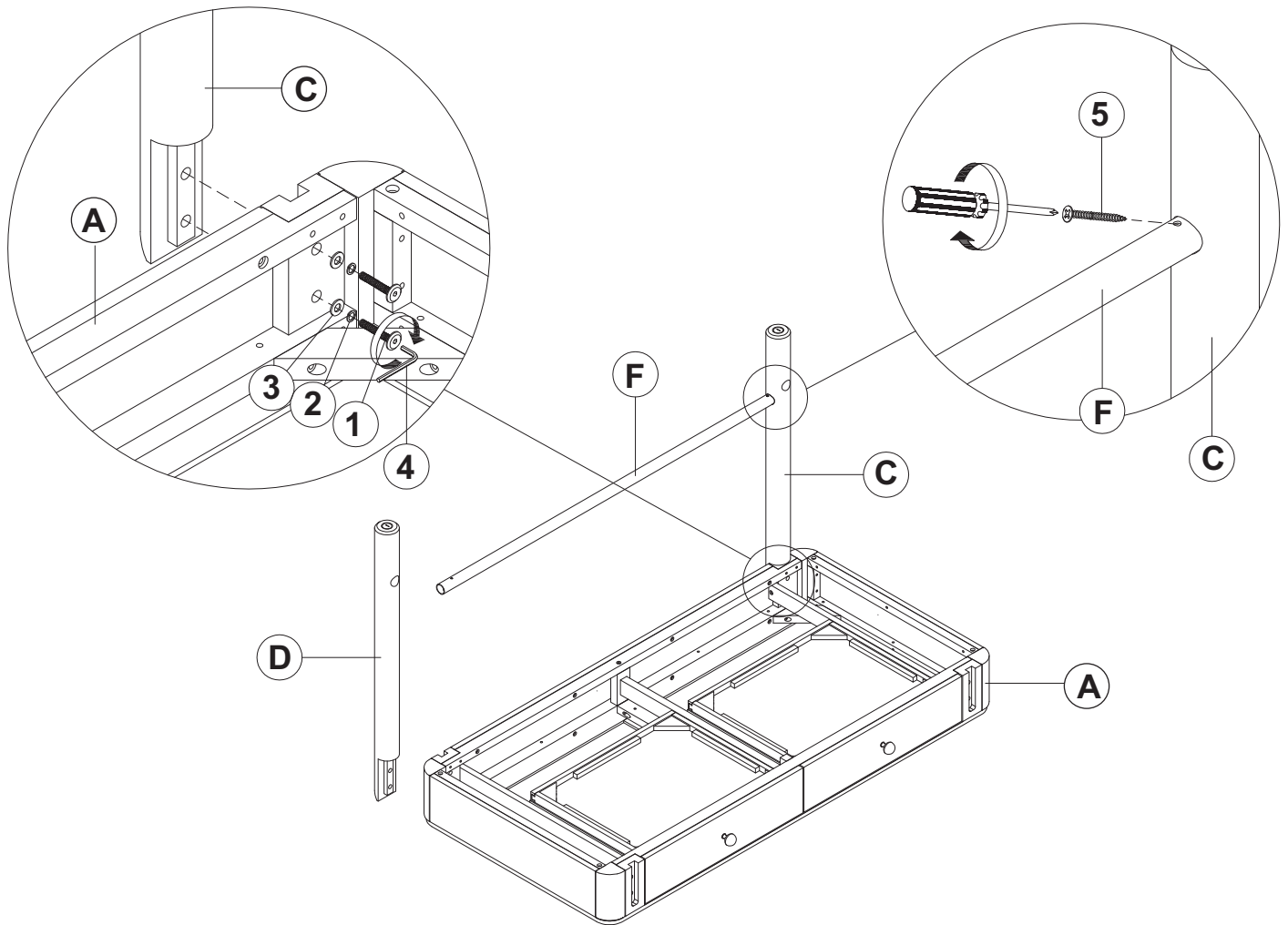
1	BOLT (M6 x 35mm - BLK)		8PCS
2	LOCK WASHER (1.6 x 14mm - BLK)		8PCS
3	FLAT WASHER (1 x 18mm - BLK)		8PCS
4	ALLEN WRENCH (M4 x 65mm - BLK)		1PC
5	FLAT HEAD SCREW (8 x 2" - BLK)		6PCS

ITEM: **224337**

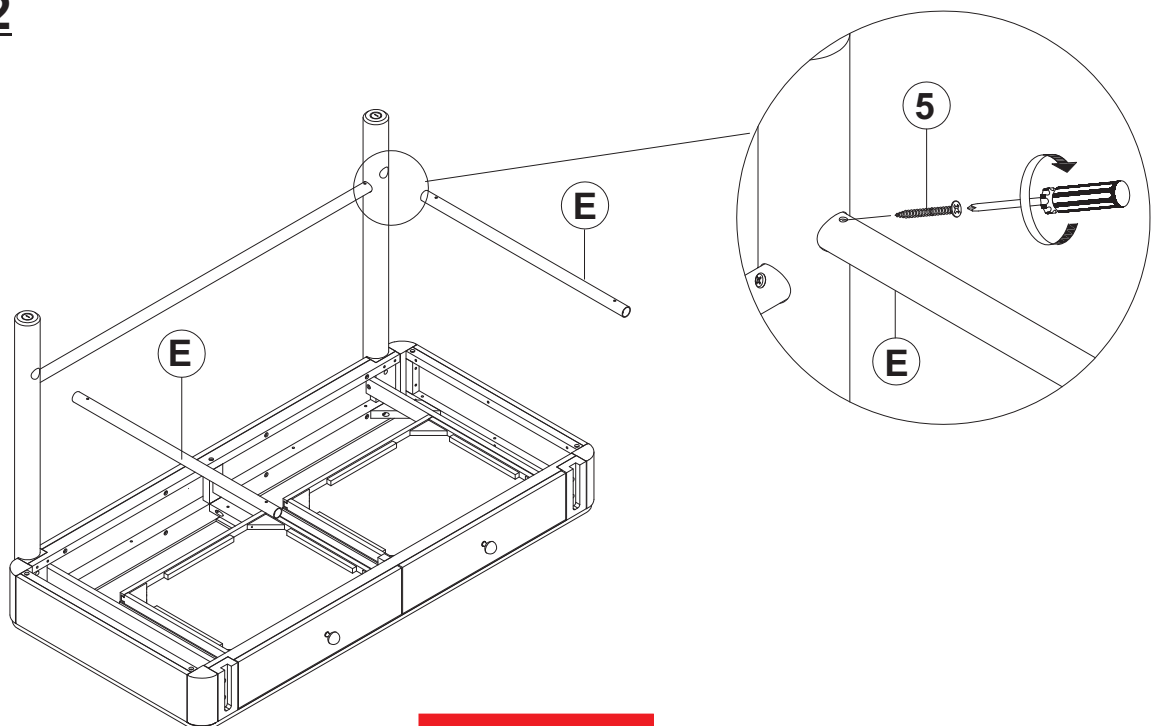
ASSEMBLY INSTRUCTIONS



STEP 1



STEP 2

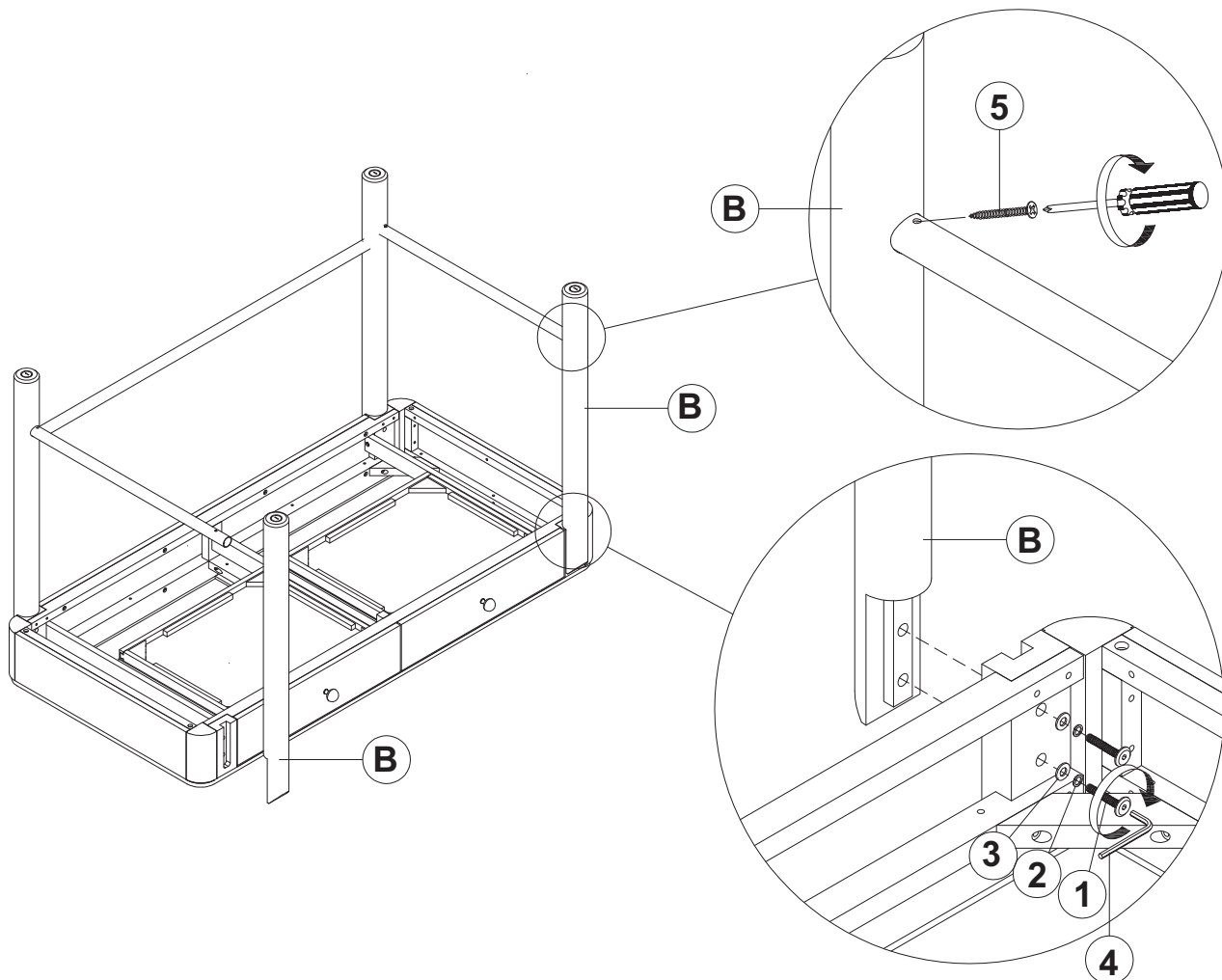


ITEM: **224337**

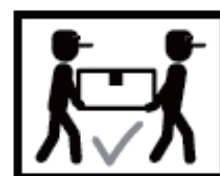
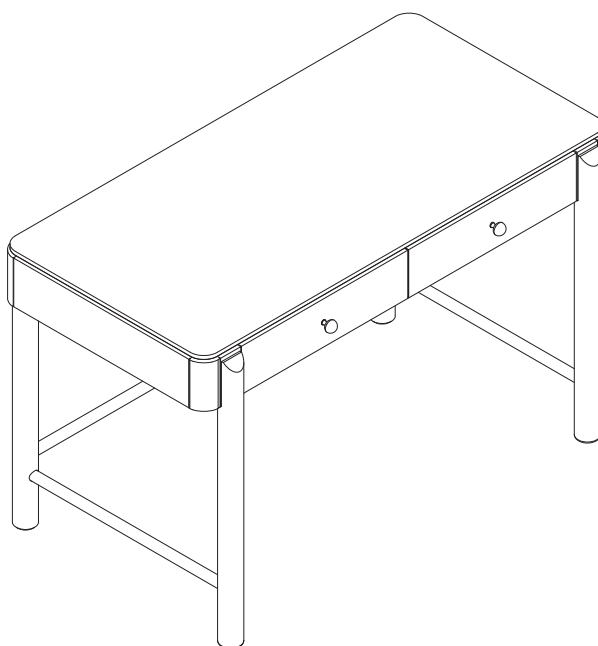
ASSEMBLY INSTRUCTIONS



STEP 3



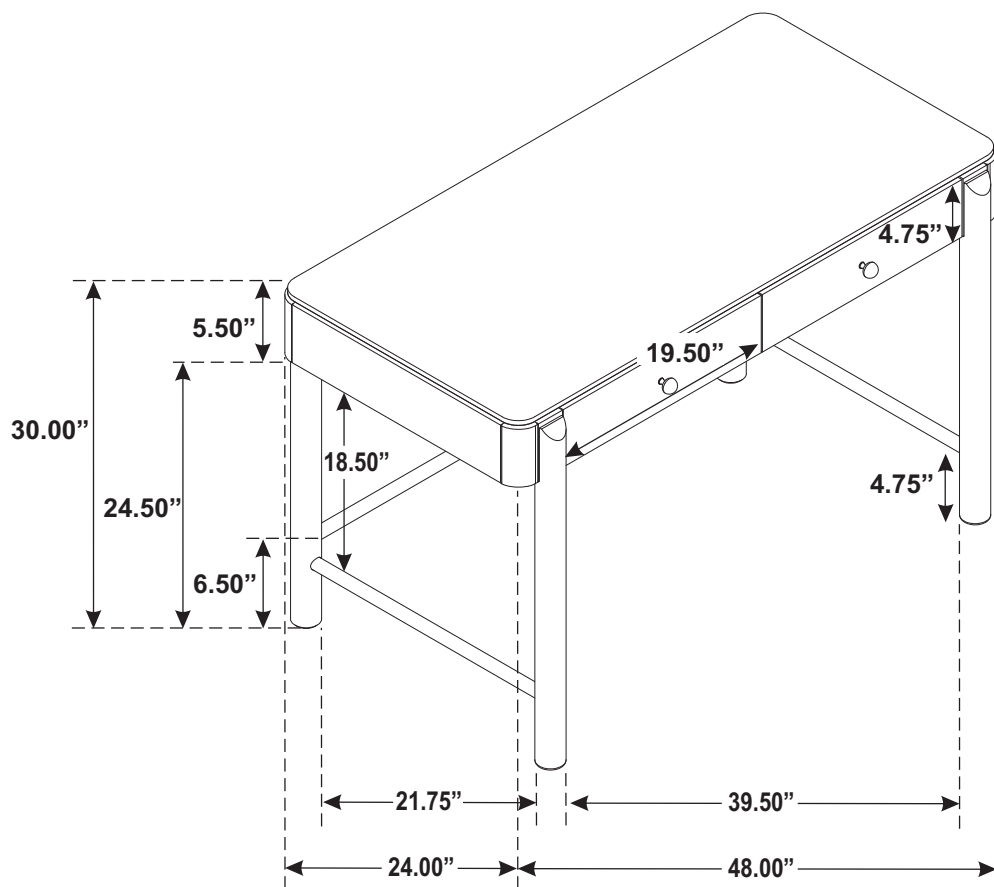
STEP 4
COMPLETE



ITEM: **224337**

COASTER
FINE FURNITURE

Inner Size of Drawer : 16.50"W x 13.75"D x 2.00"H x 0.50"T



Note: Dimension tolerance $\pm 5\%$