



# *ASSEMBLY INSTRUCTIONS*

## *COASTER FINE FURNITURE*



*Fine Furniture for every stage of life*

**509654**  
**Sofa**

# ITEM: 509654



## ASSEMBLY INSTRUCTIONS

### ASSEMBLY TIPS:

1. Remove hardware from box and sort by size.
2. Please check to see that all hardware and parts are present prior to start of assembly.
3. Please follow attached instructions in the same sequence as numbered to assure fast & easy assembly.



### WARNING!

1. Don't attempt to repair or modify parts that are broken or defective. Please contact the store immediately.
2. This product is for home use only and not intended for commercial establishments.

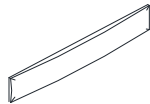


ASSEMBLY TIME

10 MINUTES

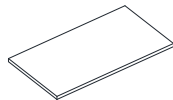
## PARTS IDENTIFICATION

A FRONT PANEL



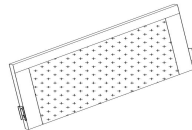
1PC

B SEAT DECK



1PC

C BACKREST



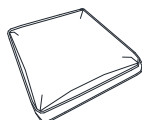
1PC

D BACK CUSHION



3PCS

E SEAT CUSHION



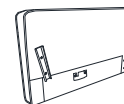
3PCS

F LEFT ARM



1PC

G RIGHT ARM



1PC

H LEG



4PCS

I CENTER SUPPORT LEG WITH LEVELER



2PCS

## HARDWARE IDENTIFICATION

1 LONG BOLT  
(5/16" x 25mm - RBW)



4PCS

2 ALLEN WRENCH  
(60mm x 4mm - RBW)



1PC

3 SHORT BOLT  
(1/4" x 20mm - RBW)



4PCS

4 LOCK WASHER  
(D12mm - RBW)



8PCS

5 FLAT WASHER  
(D19mm - RBW)



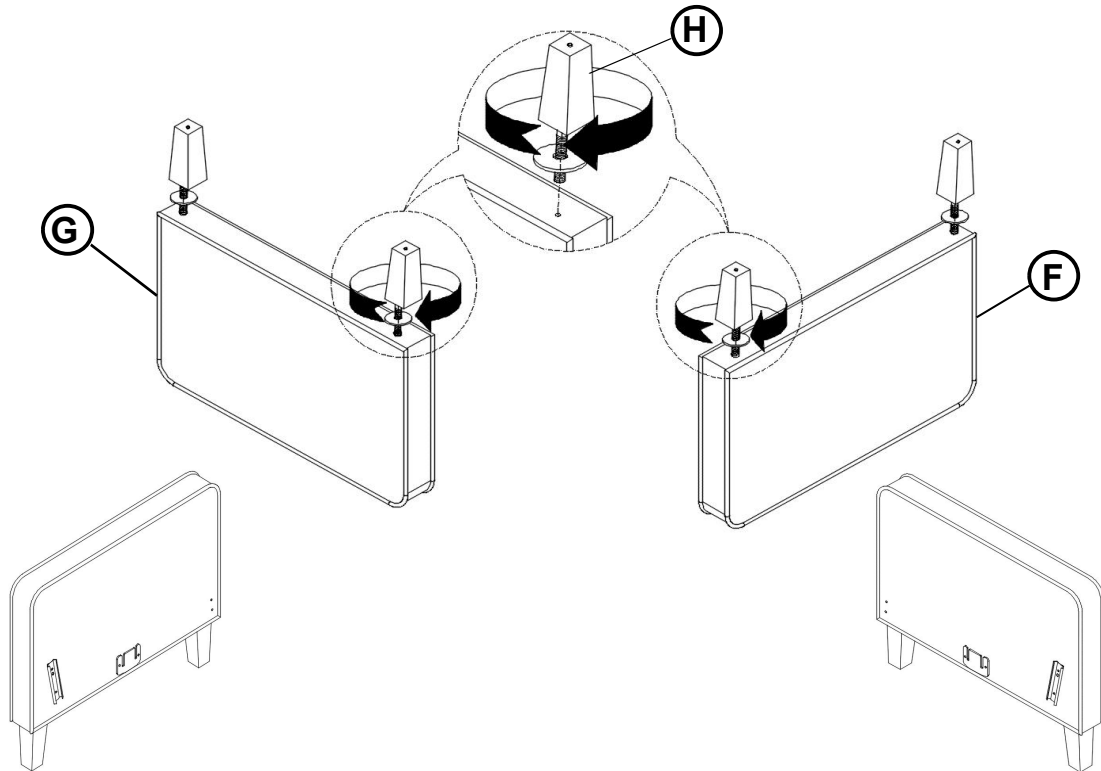
8PCS

ITEM: **509654**

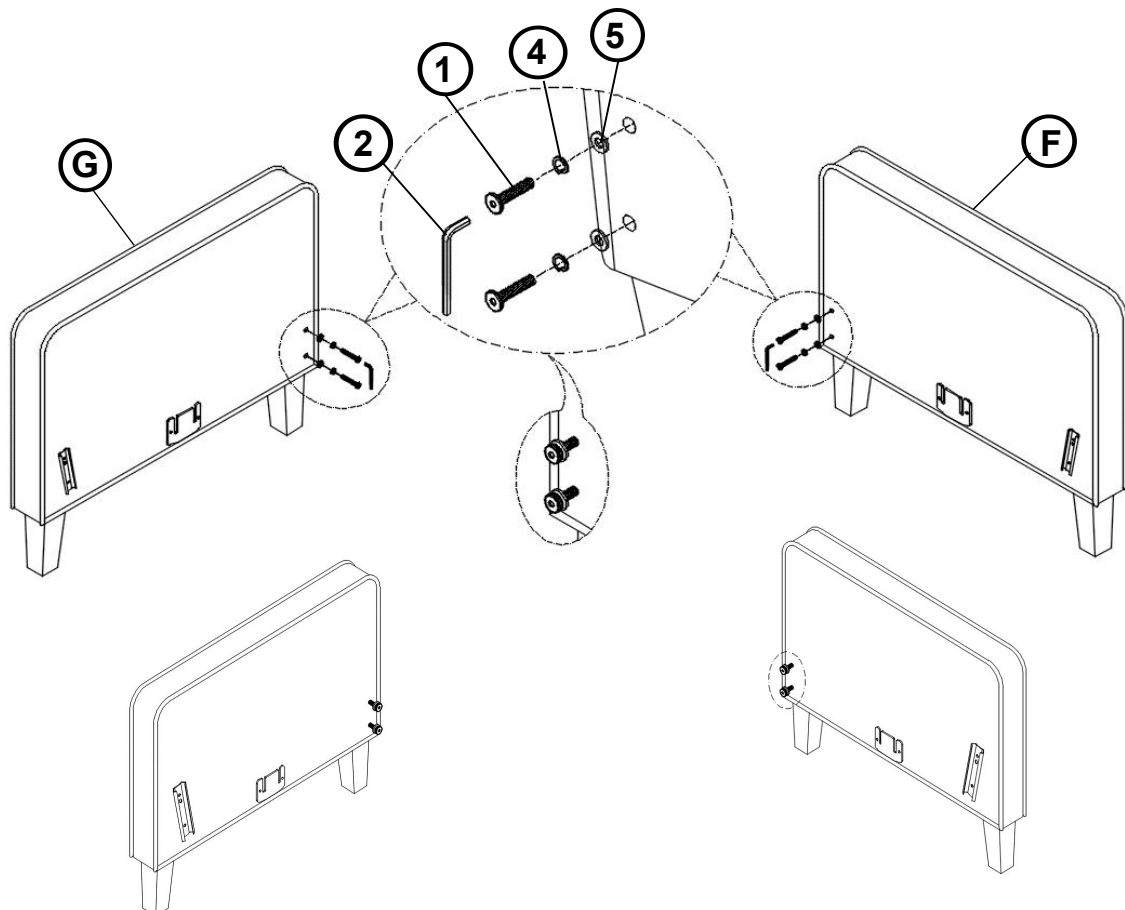


**ASSEMBLY INSTRUCTIONS**

**STEP 1**



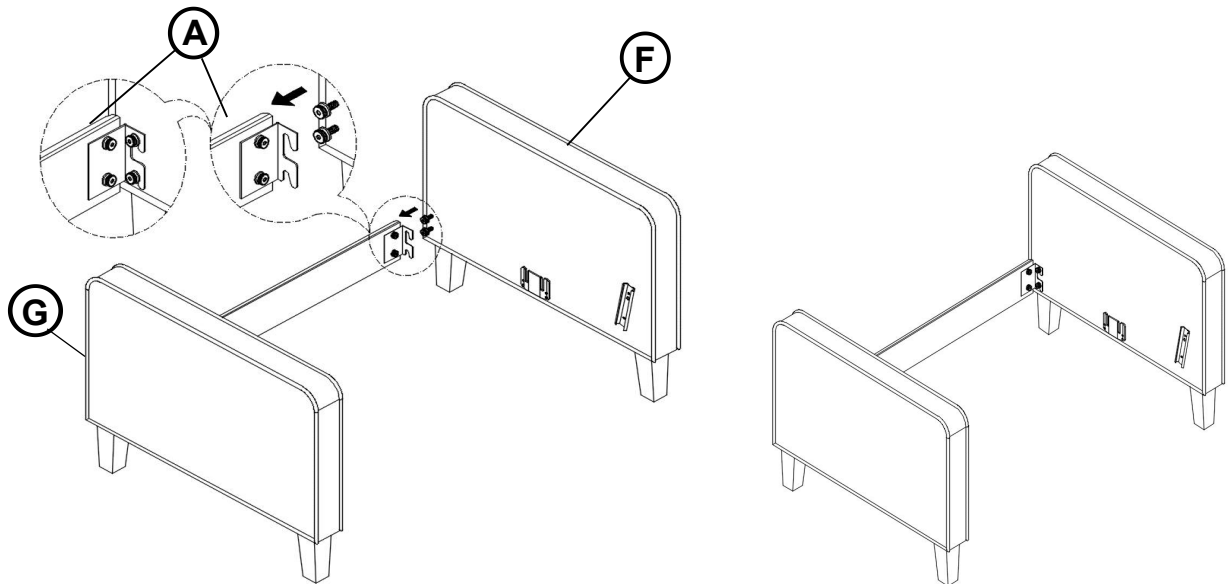
**STEP 2**



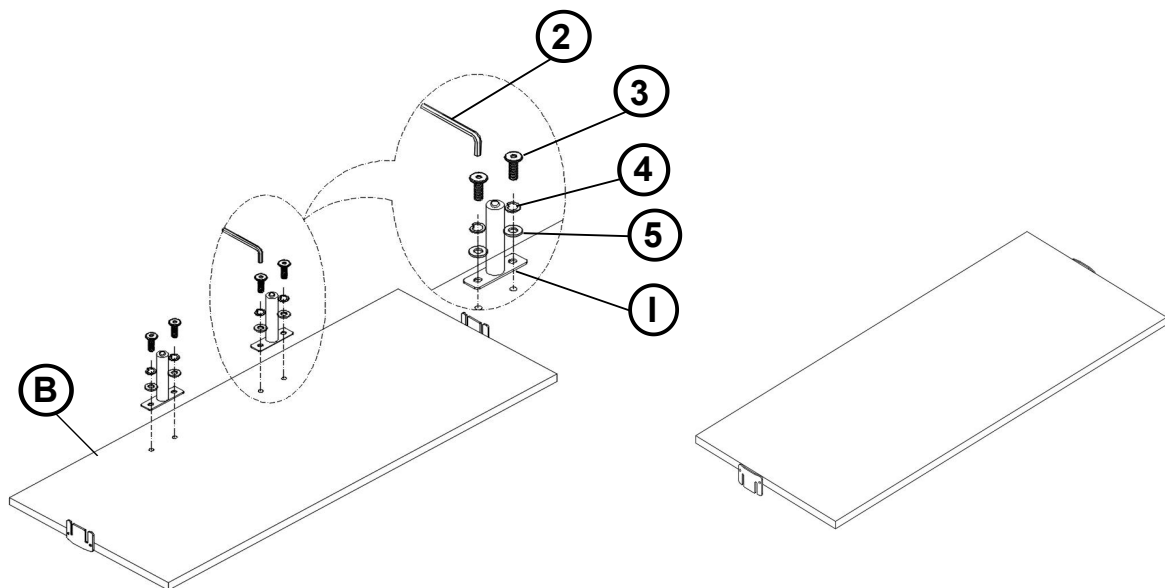
ITEM: **509654**



**ASSEMBLY INSTRUCTIONS**  
**STEP 3**

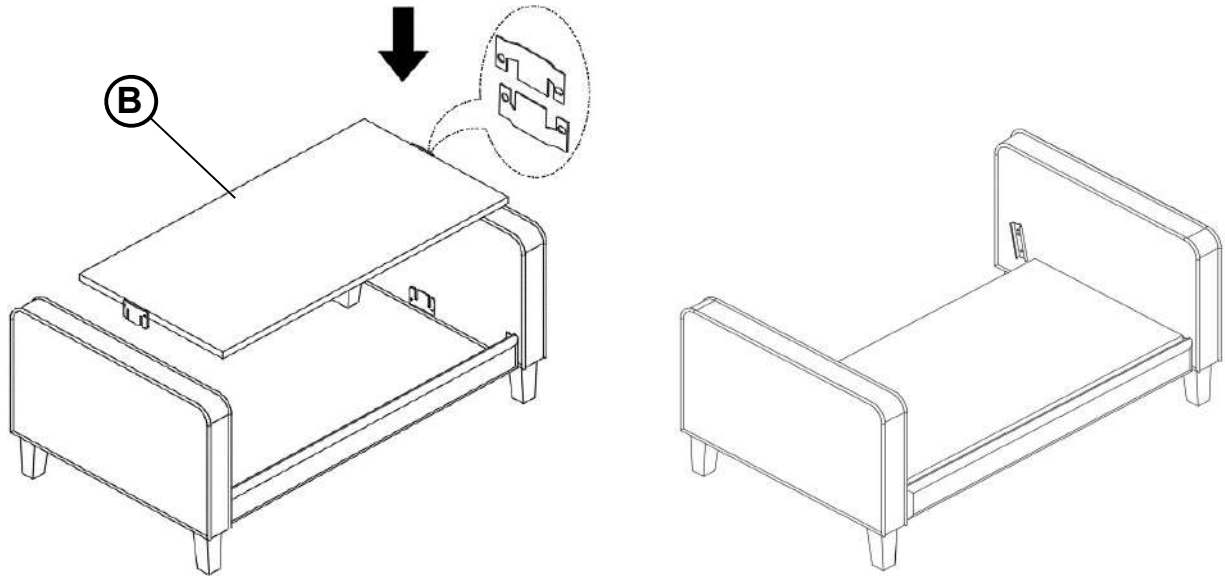


**STEP 4**

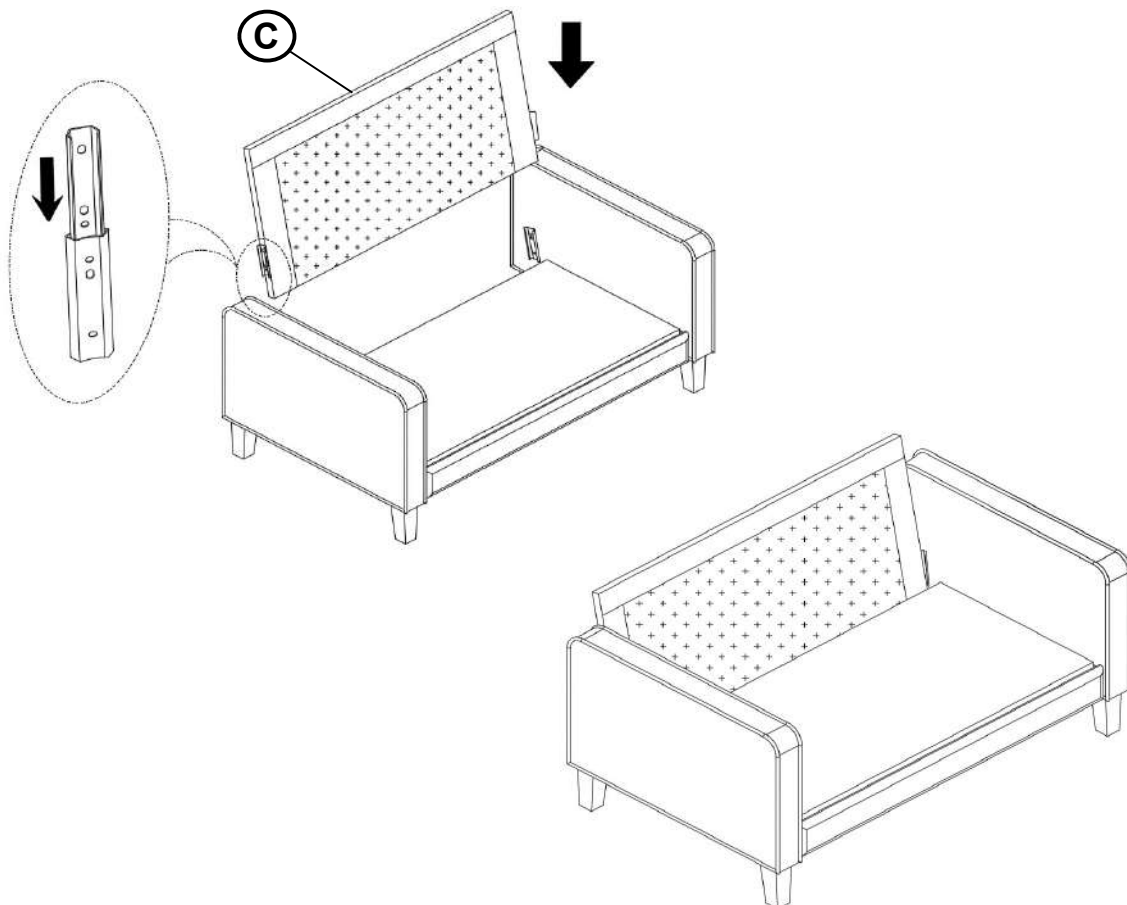


ITEM: **509654**

**ASSEMBLY INSTRUCTIONS**  
**STEP 5**



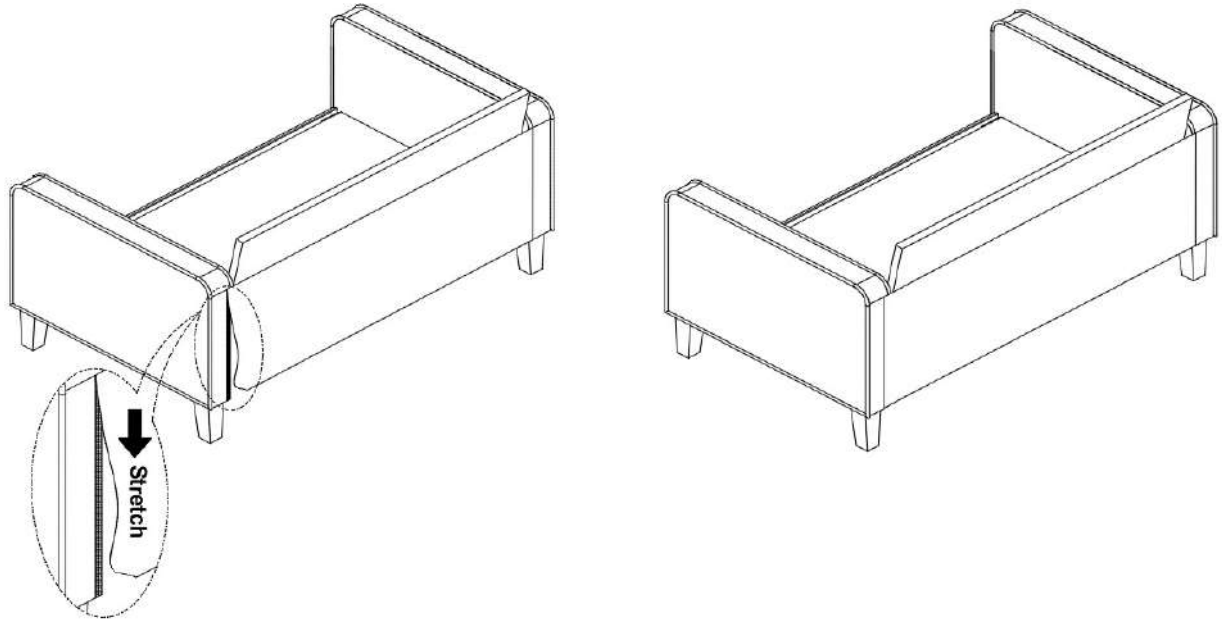
**STEP 6**



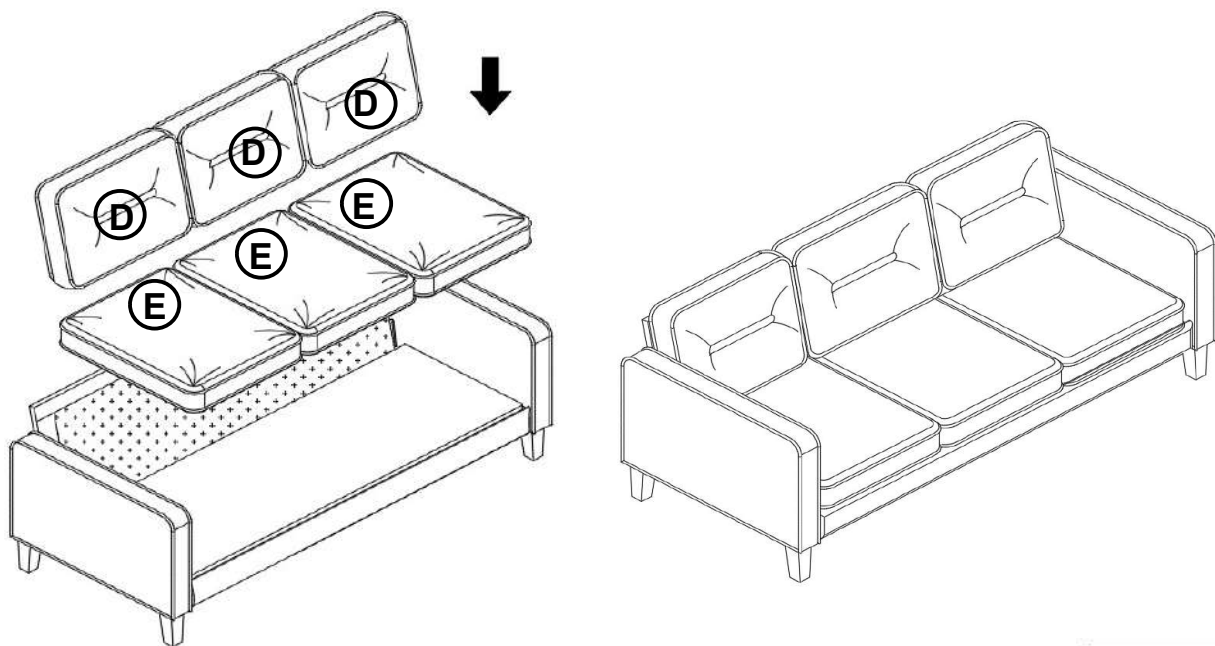
ITEM: **509654**



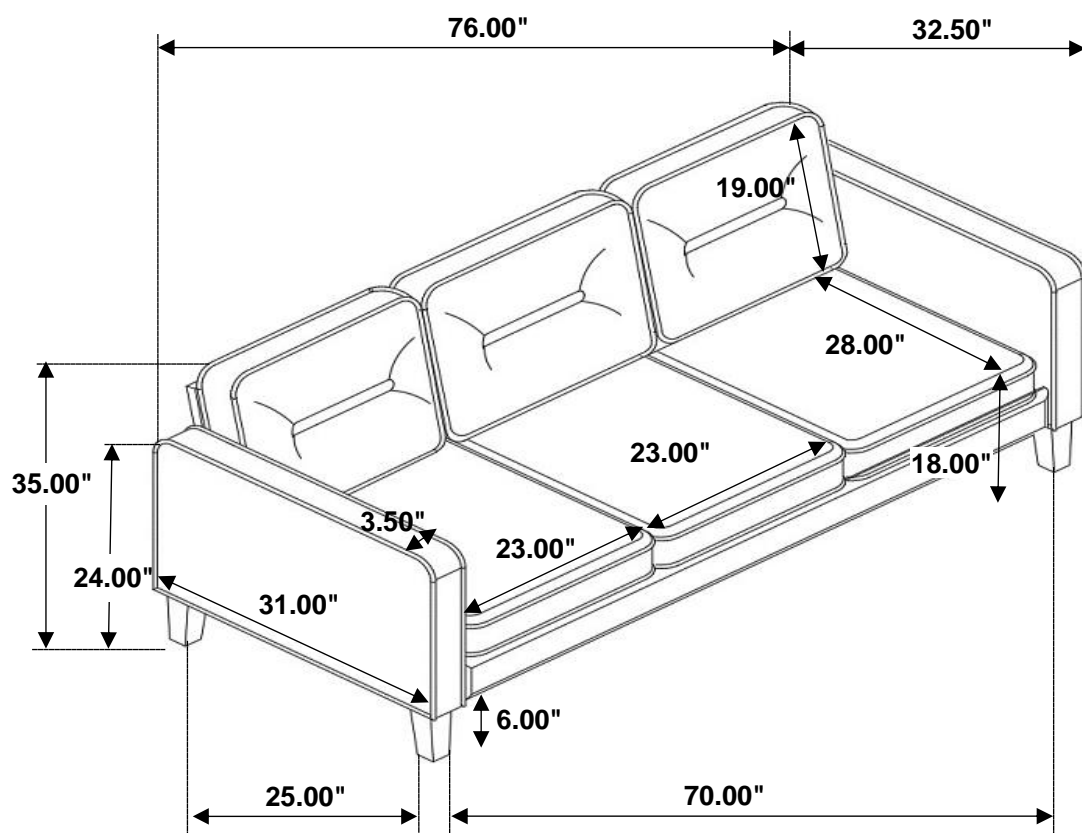
**ASSEMBLY INSTRUCTIONS**  
**STEP 7**



**STEP 8**  
**COMPLETE**



ITEM: **509654**



Note: Dimension tolerance  $\pm 5\%$