



ASSEMBLY INSTRUCTIONS

COASTER FINE FURNITURE



Fine Furniture for every stage of life

551702
Corner

ITEM: 551702



ASSEMBLY INSTRUCTIONS

ASSEMBLY TIPS:

1. Remove hardware from box and sort by size.
2. Please check to see that all hardware and parts are present prior to start of assembly.
3. Please follow attached instructions in the same sequence as numbered to assure fast & easy assembly.



WARNING!



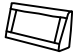



1. Don't attempt to repair or modify parts that are broken or defective. Please contact the store immediately.
2. This product is for home use only and not intended for commercial establishments.









ASSEMBLY TIME

5 MINUTES

PARTS IDENTIFICATION

A SEAT		1PC	B LEFT BACK		1PC
C RIGHT BACK		1PC	D RIGHT BACK CUSHION		1PC
E LEFT BACK CUSHION		1PC	F LEG		4PCS

HARDWARE IDENTIFICATION

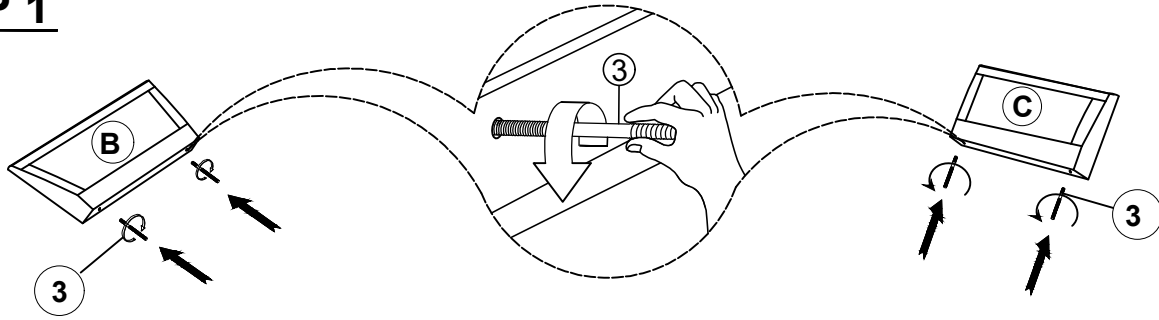
1 HEX NUT (Ø5/16"*6mm - RBW)		4PCS	2 FLAT WASHER (Ø5/16"*16*1.5MM-RBW)		4PCS
3 THREADED BOLT (Ø5/16"*85MM - RBW)		4PCS	4 WRENCH (M13*89MM - RBW)		1PC
5 PLASTIC WASHER (Ø50*2MM - BLK)		4PCS	6 LOCK WASHER (Ø5/16"*2MM -RBW)		4PCS

ITEM: 551702

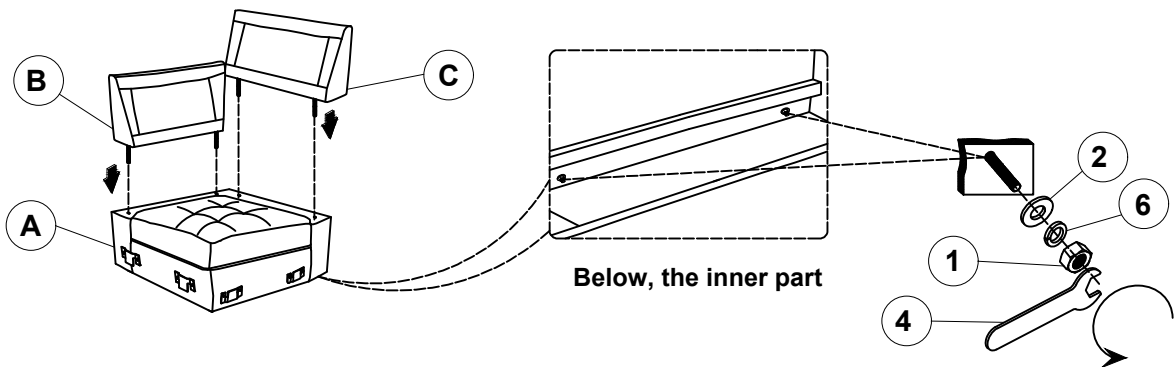
ASSEMBLY INSTRUCTIONS



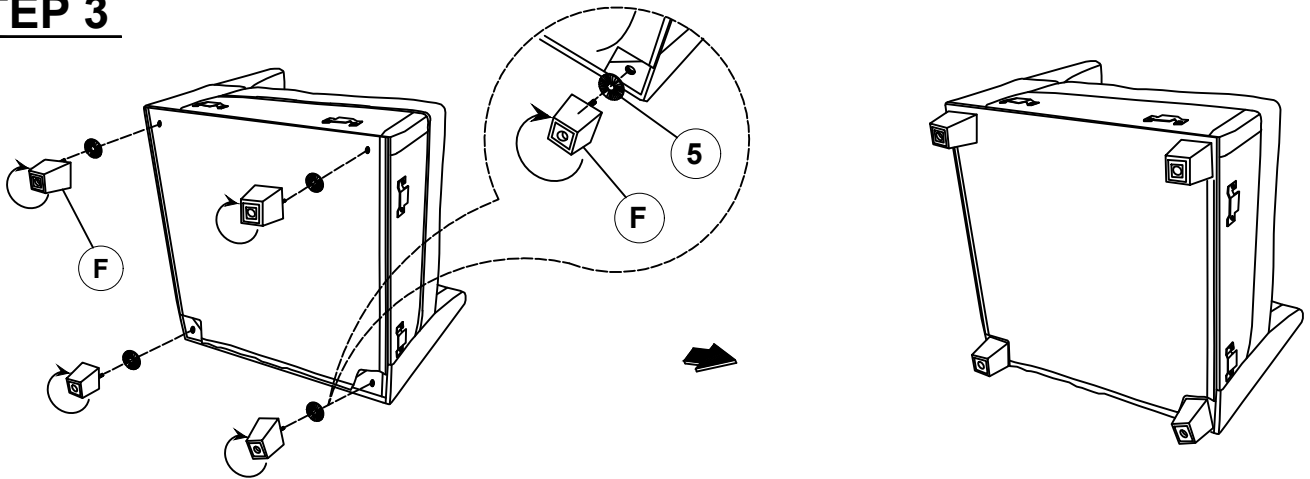
STEP 1



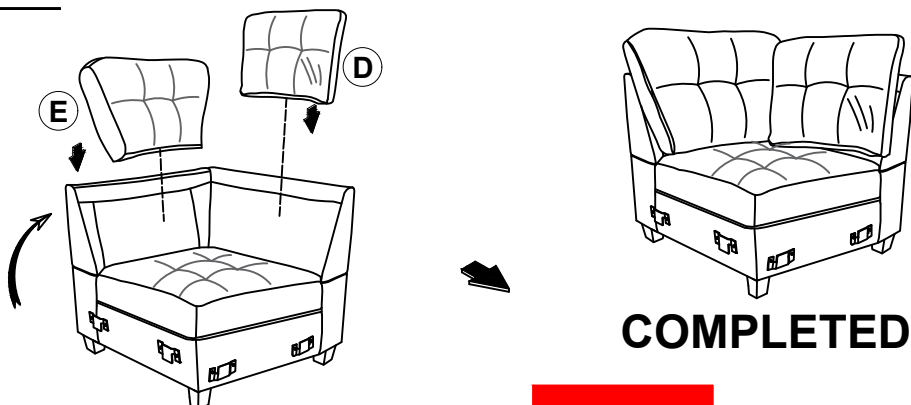
STEP 2



STEP 3



STEP 4

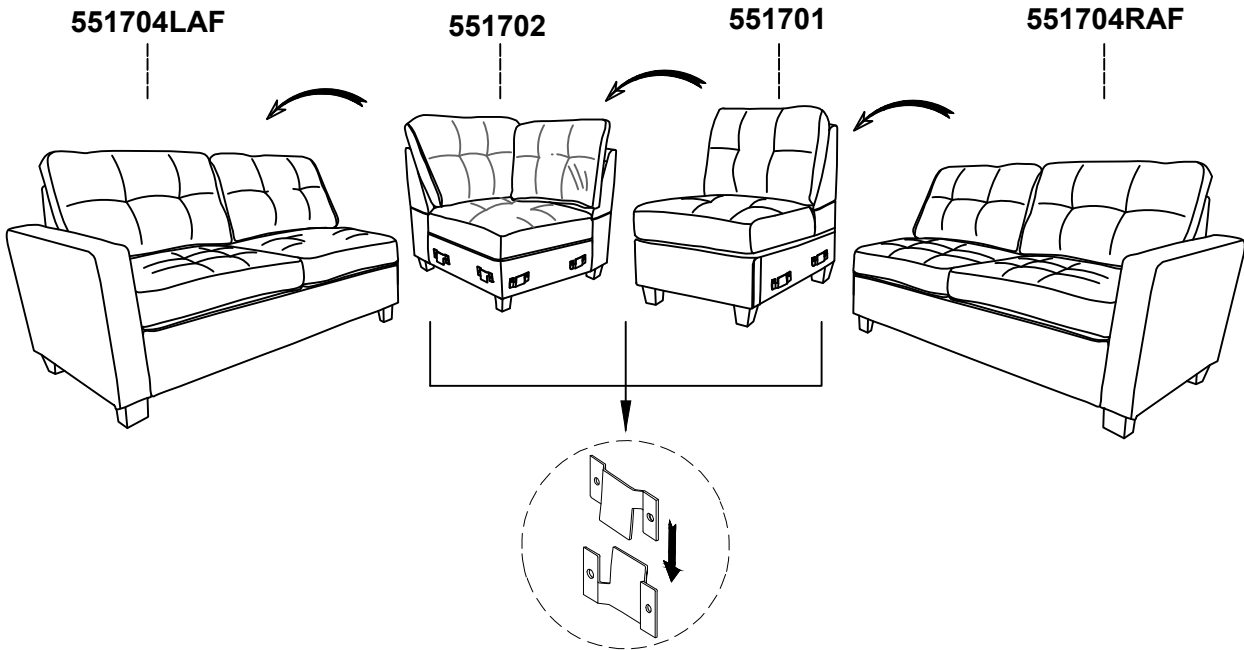


ITEM: 551702

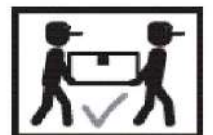
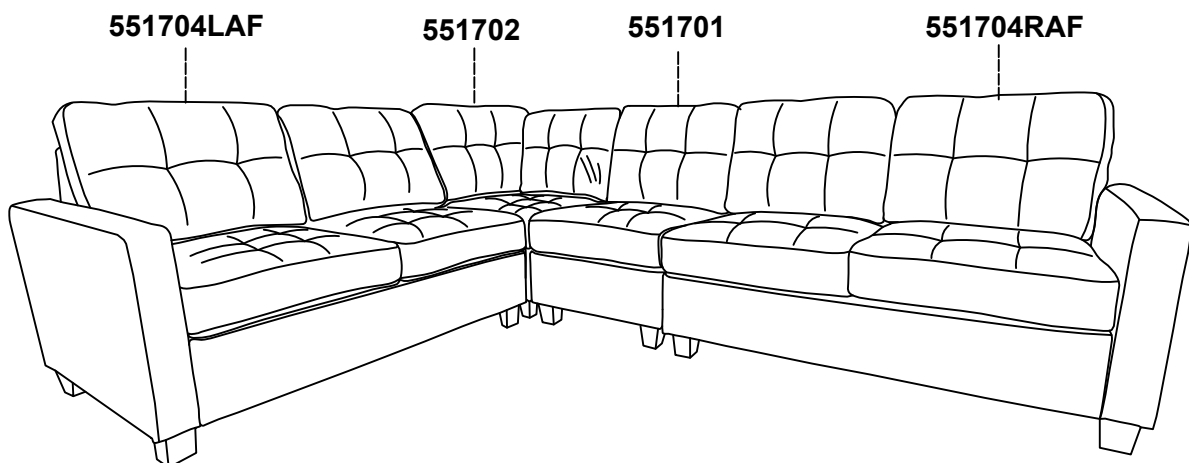
ASSEMBLY INSTRUCTIONS



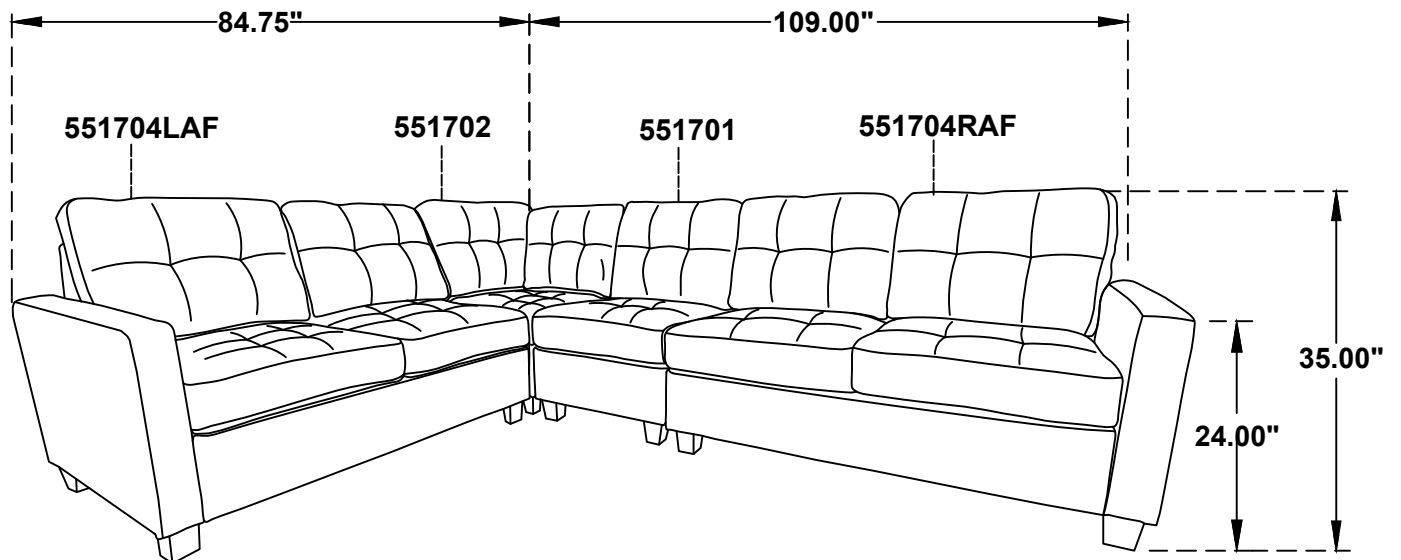
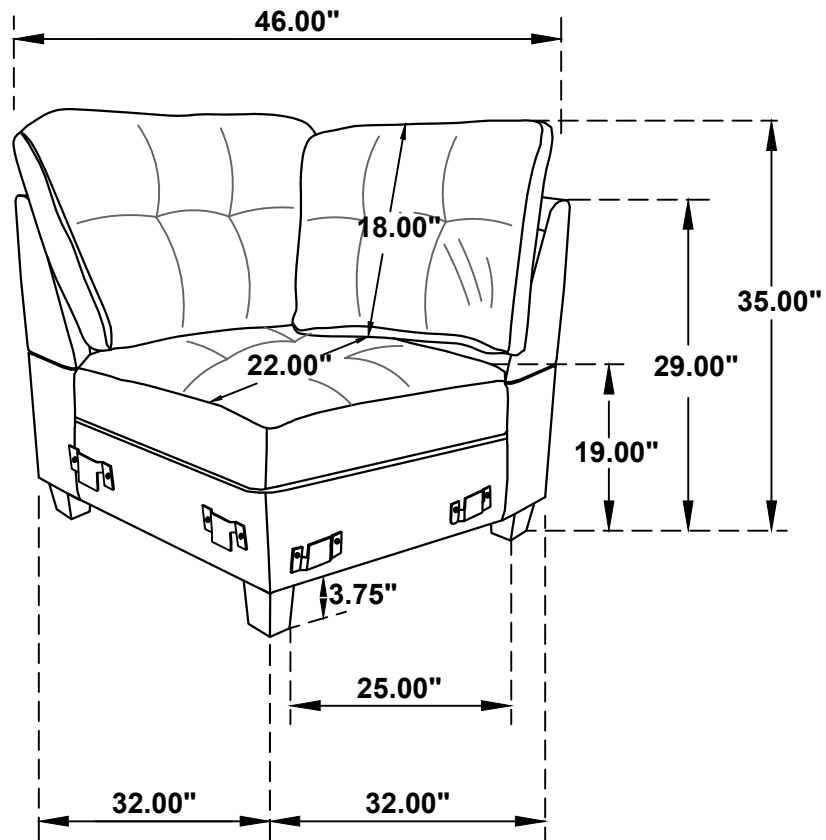
STEP 5



STEP 6



ITEM: 551702



Note: Dimension tolerance $\pm 5\%$