



ASSEMBLY INSTRUCTIONS

COASTER FINE FURNITURE



Fine Furniture for every stage of life

551704LAF
Laf Loveseat

ITEM: 551704LAF



ASSEMBLY INSTRUCTIONS

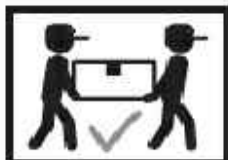
ASSEMBLY TIPS:

1. Remove hardware from box and sort by size.
2. Please check to see that all hardware and parts are present prior to start of assembly.
3. Please follow attached instructions in the same sequence as numbered to assure fast & easy assembly.



WARNING!



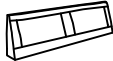


1. Don't attempt to repair or modify parts that are broken or defective. Please contact the store immediately.
2. This product is for home use only and not intended for commercial establishments.









ASSEMBLY TIME

10 MINUTES

PARTS IDENTIFICATION

A	SEAT		1PC	B	LEFT ARM		1PC
C	LEFT BACK		1PC	D	LEFT BACK CUSHION		2PCS
E	LEG		4PCS				

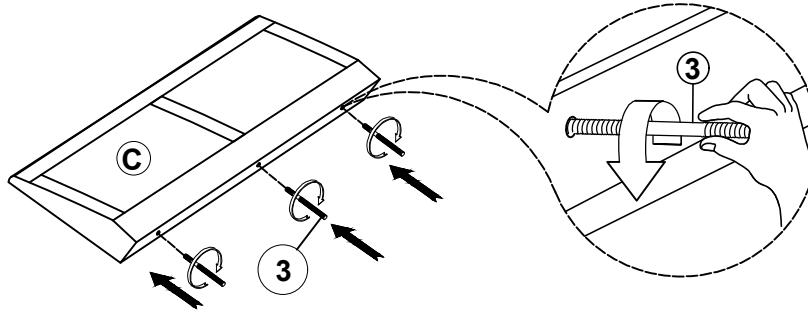
HARDWARE IDENTIFICATION

1	HEX NUT (Ø5/16**6mm - RBW)		7PCS	2	FLAT WASHER (Ø5/16**16*1.5MM-RBW)		7PCS
3	THREADED BOLT (Ø5/16**85MM - RBW)		7PCS	4	WRENCH (M13*89MM - RBW)		1PC
5	PLASTIC WASHER (Ø50*2MM - BLK)		4PCS	6	LOCK WASHER (Ø5/16**2MM -RBW)		7PCS

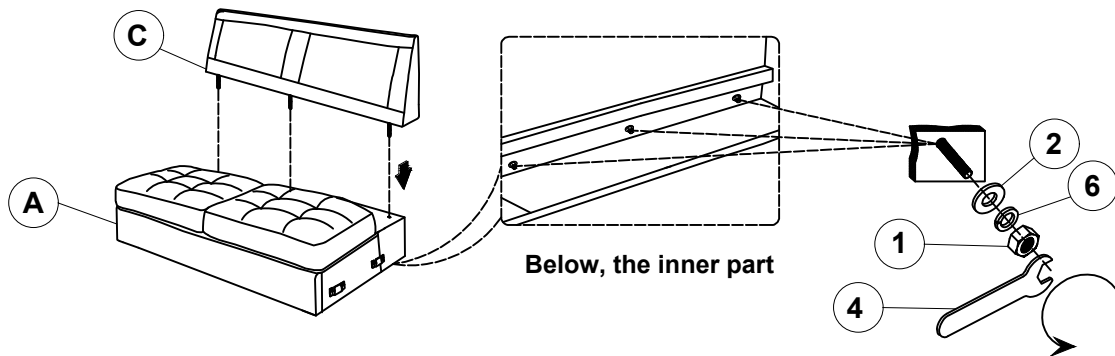
ITEM: 551704LAF

ASSEMBLY INSTRUCTIONS

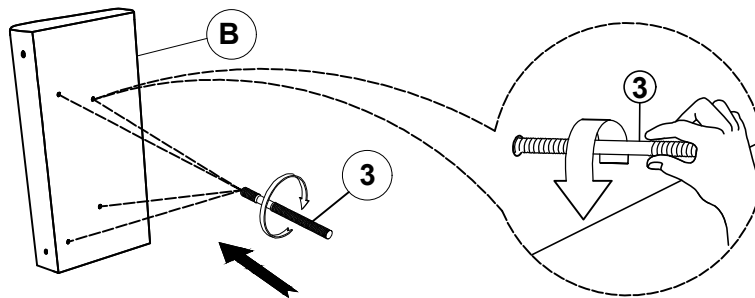
STEP 1



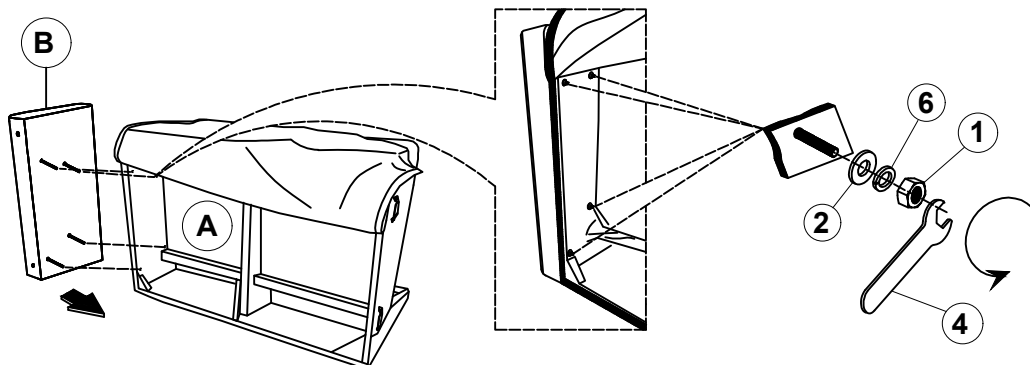
STEP 2



STEP 3



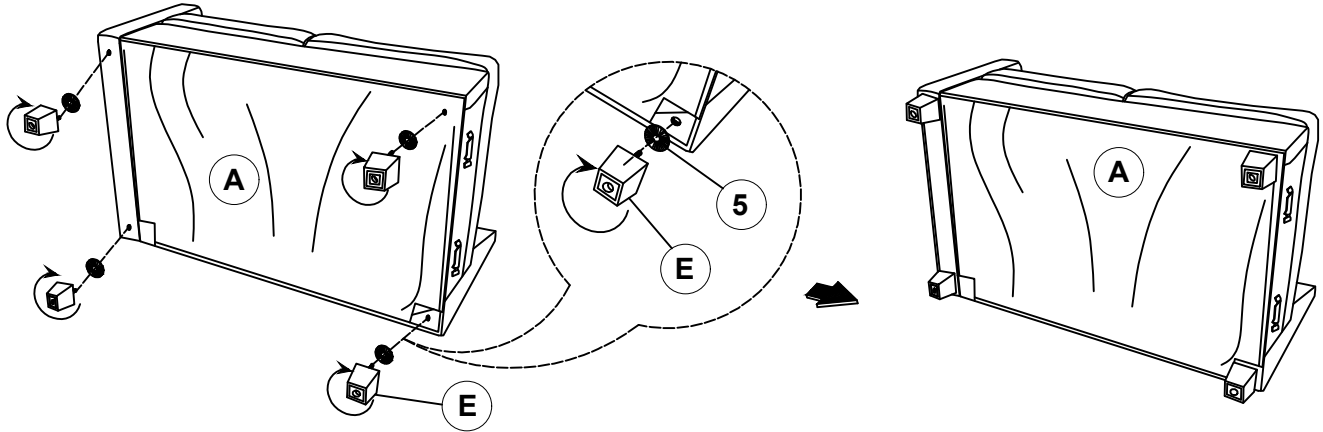
STEP 4



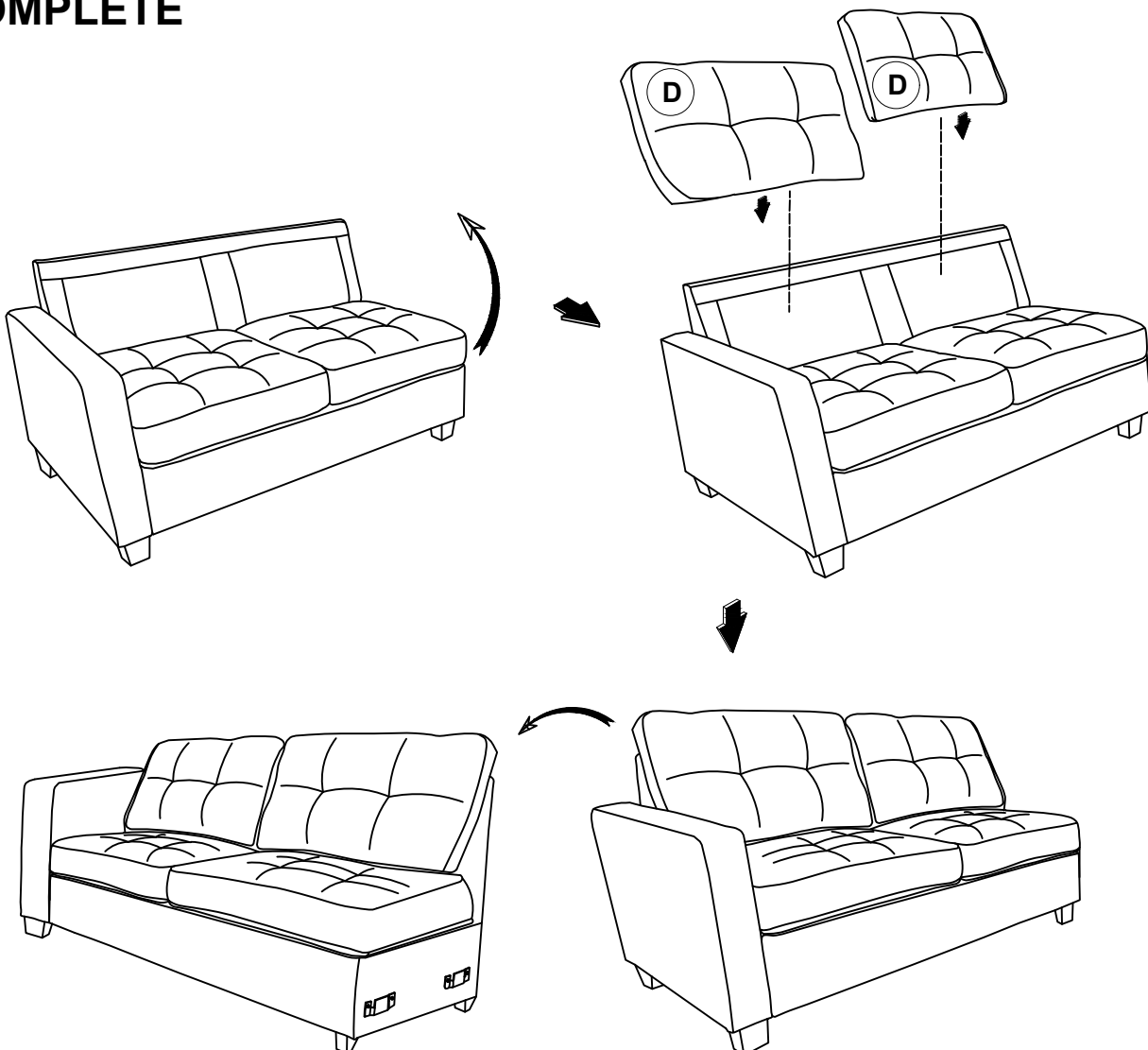
ITEM: 551704LAF
ASSEMBLY INSTRUCTIONS



STEP 5



STEP 6
COMPLETE

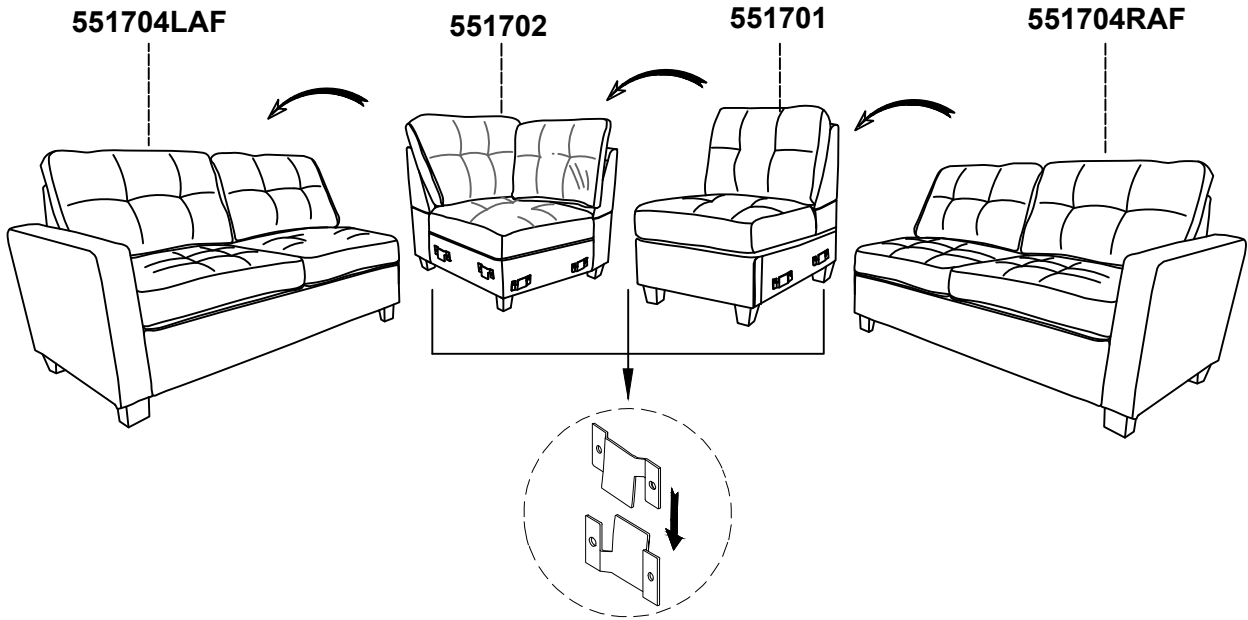


ITEM: 551704LAF

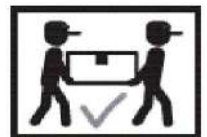
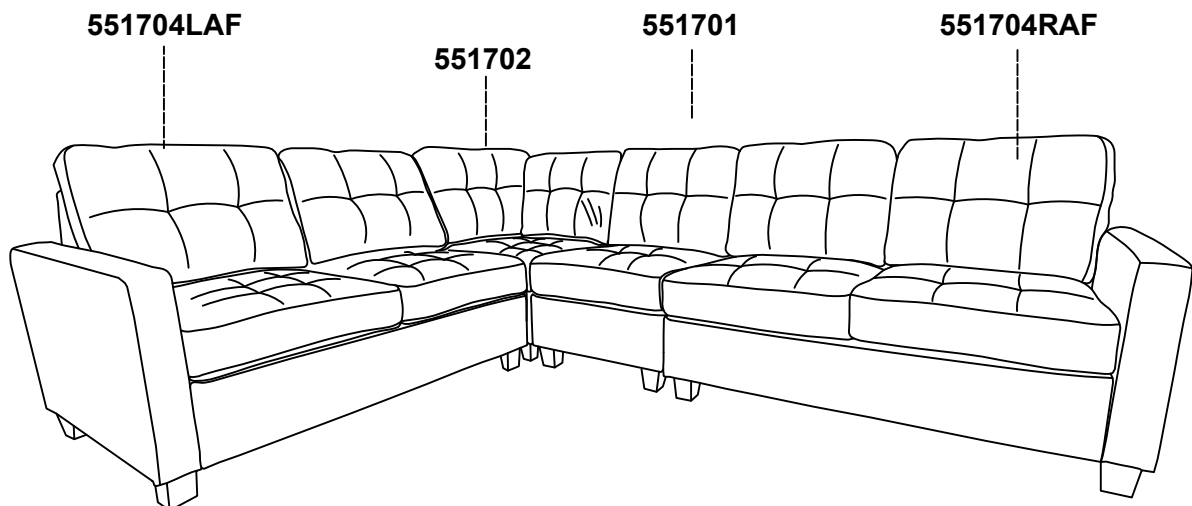
ASSEMBLY INSTRUCTIONS



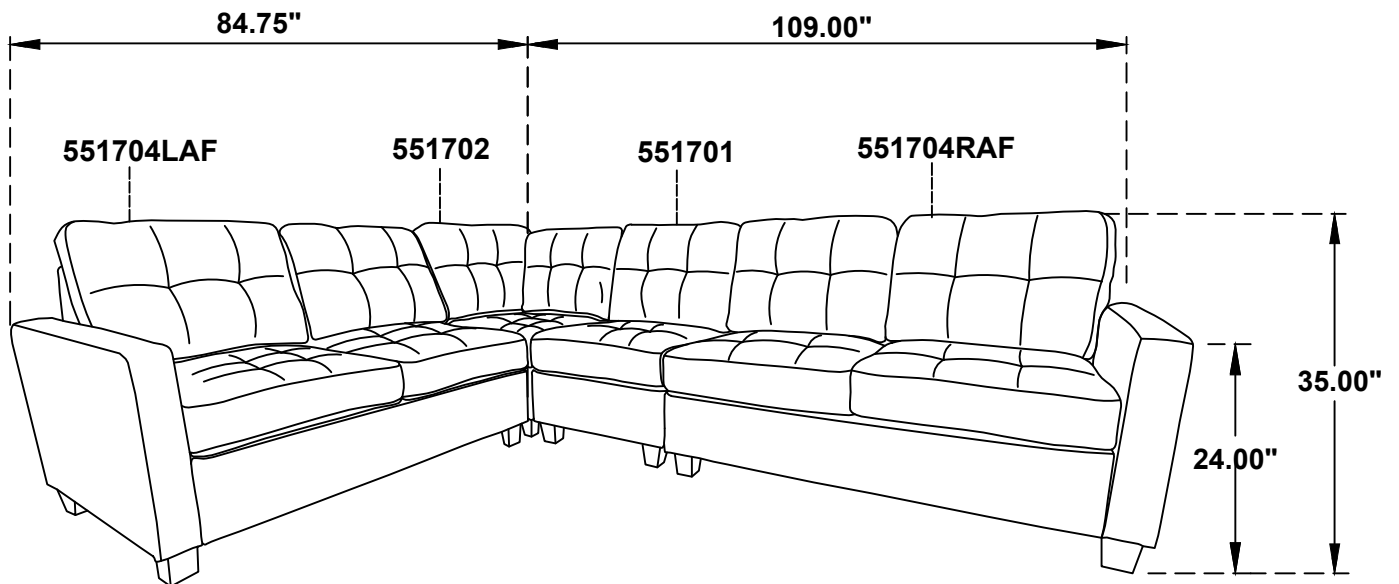
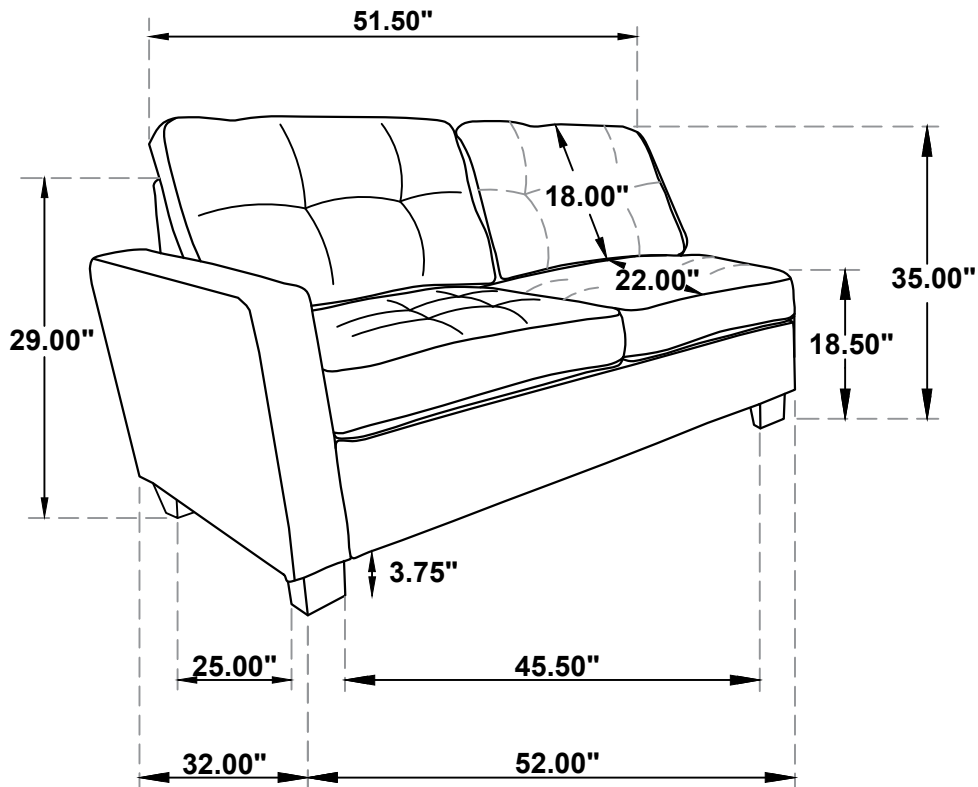
STEP 7



STEP 8



ITEM: 551704LAF



Note: Dimension tolerance $\pm 5\%$