

*ASSEMBLY INSTRUCTIONS*  
*COASTER FINE FURNITURE*



*Fine Furniture for every stage of life*

**551708LAF**  
***Laf Loveseat***

# ITEM: 551708LAF



## ASSEMBLY INSTRUCTIONS

### ASSEMBLY TIPS:

1. Remove hardware from box and sort by size.
2. Please check to see that all hardware and parts are present prior to start of assembly.
3. Please follow attached instructions in the same sequence as numbered to assure fast & easy assembly.



### WARNING!

1. Don't attempt to repair or modify parts that are broken or defective. Please contact the store immediately.
2. This product is for home use only and not intended for commercial establishments.



ASSEMBLY TIME

10 MINUTES

## PARTS IDENTIFICATION

A SEAT



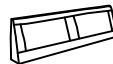
1PC

B LEFT ARM



1PC

C LEFT BACK



1PC

D LEFT BACK CUSHION



2PCS

E LEG



4PCS

## HARDWARE IDENTIFICATION

1 HEX NUT

(Ø5/16\*\*6mm - RBW)



7PCS

2 FLAT WASHER

(Ø5/16\*\*16\*1.5MM-RBW)



7PCS

3 THREADED BOLT

(Ø5/16\*\*85MM - RBW)



7PCS

4 WRENCH

(M13\*89MM - RBW)



1PC

5 PLASTIC WASHER

(Ø50\*2MM - BLK)



4PCS

6 LOCK WASHER

(Ø5/16\*\*2MM -RBW)

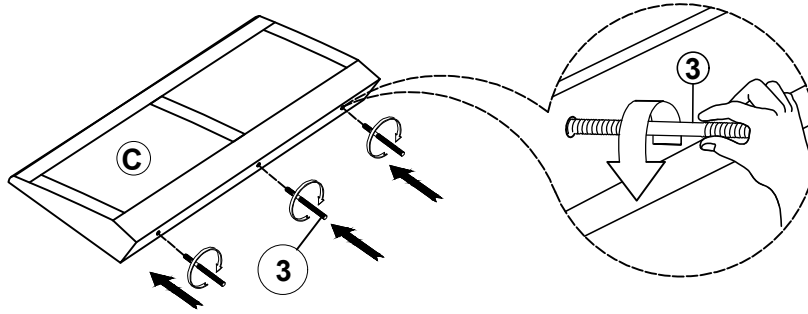


7PCS

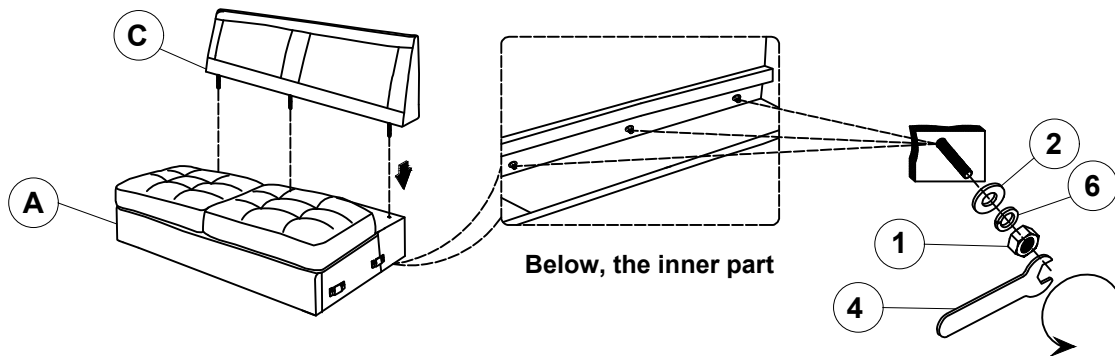
# ITEM: 551708LAF

## ASSEMBLY INSTRUCTIONS

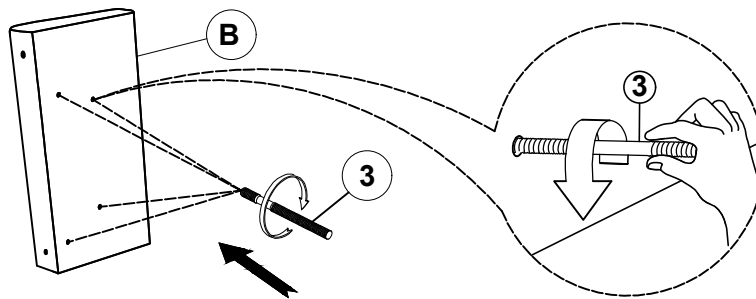
### STEP 1



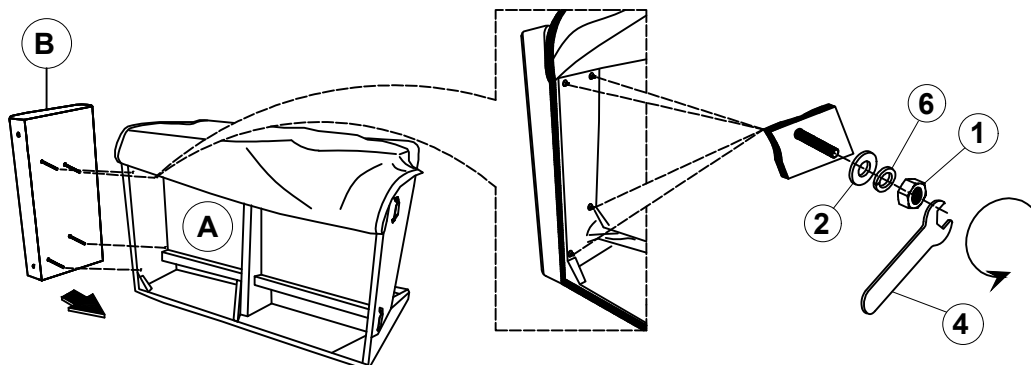
### STEP 2



### STEP 3



### STEP 4

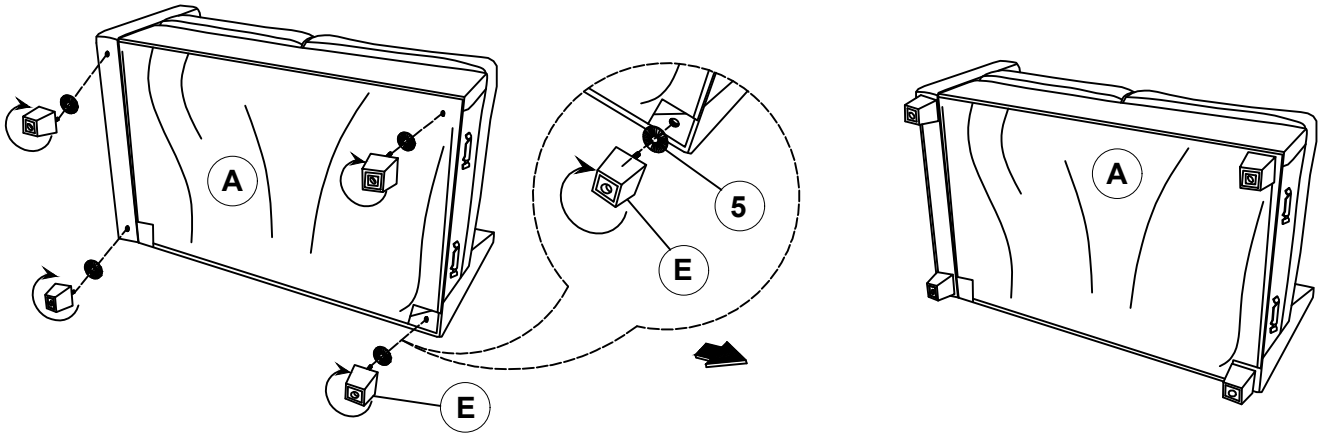


# ITEM: 551708LAF

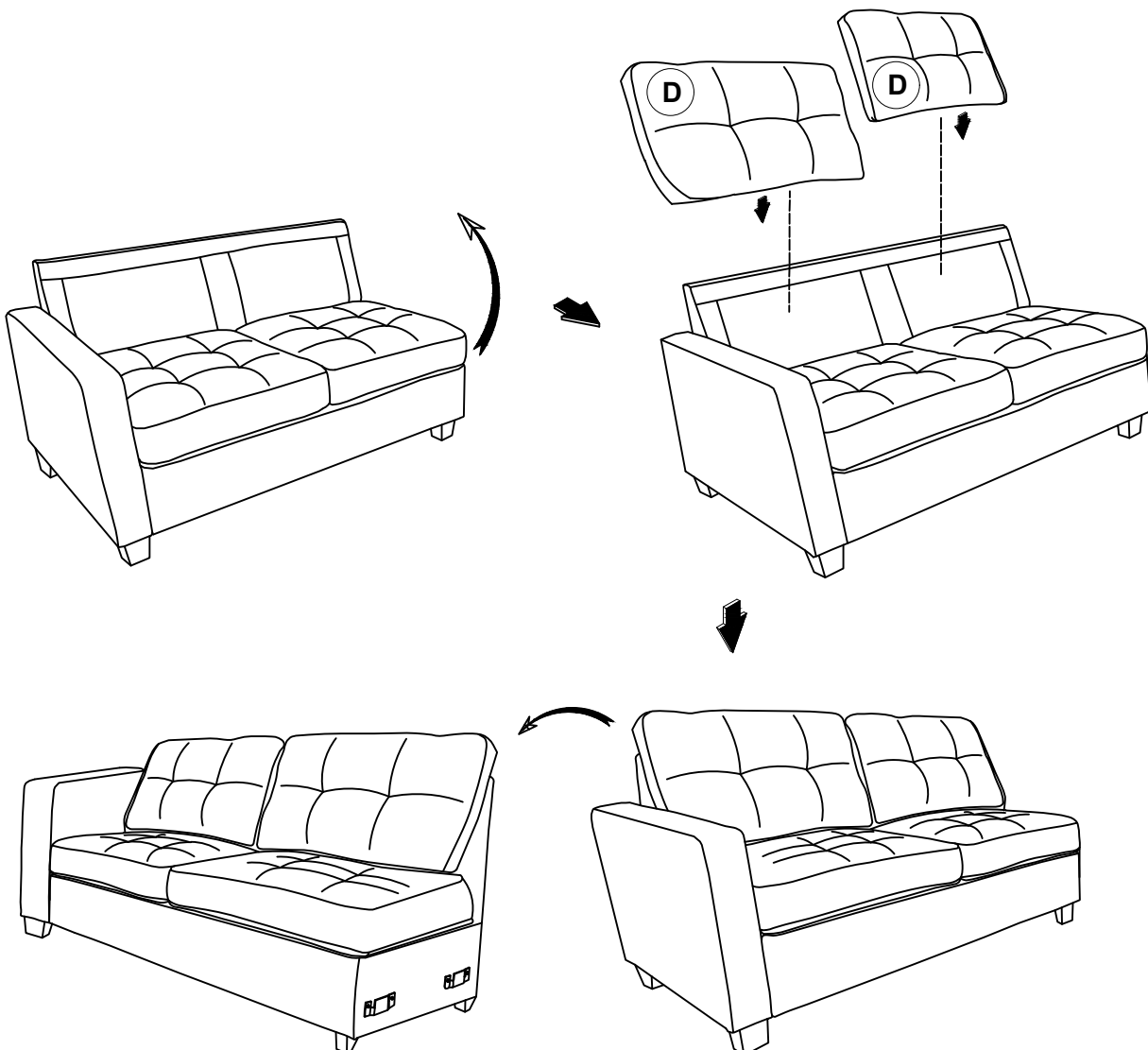
## ASSEMBLY INSTRUCTIONS



### STEP 5



### STEP 6 COMPLETE

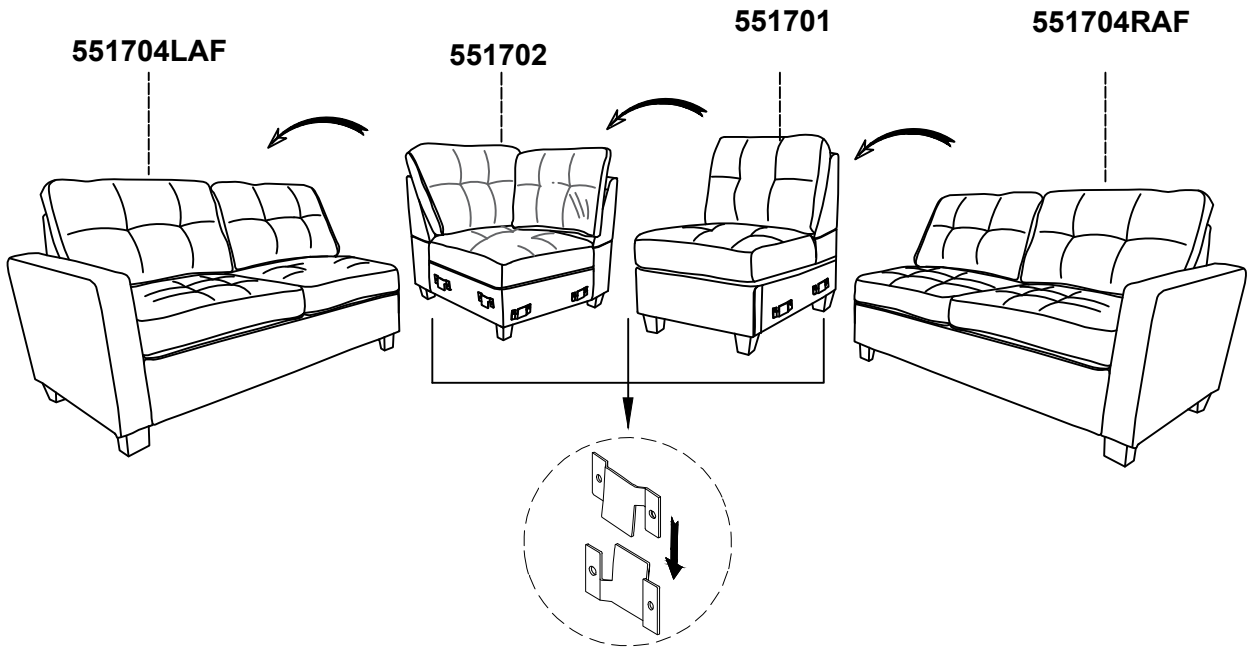


# ITEM: 551708LAF

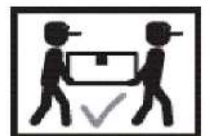
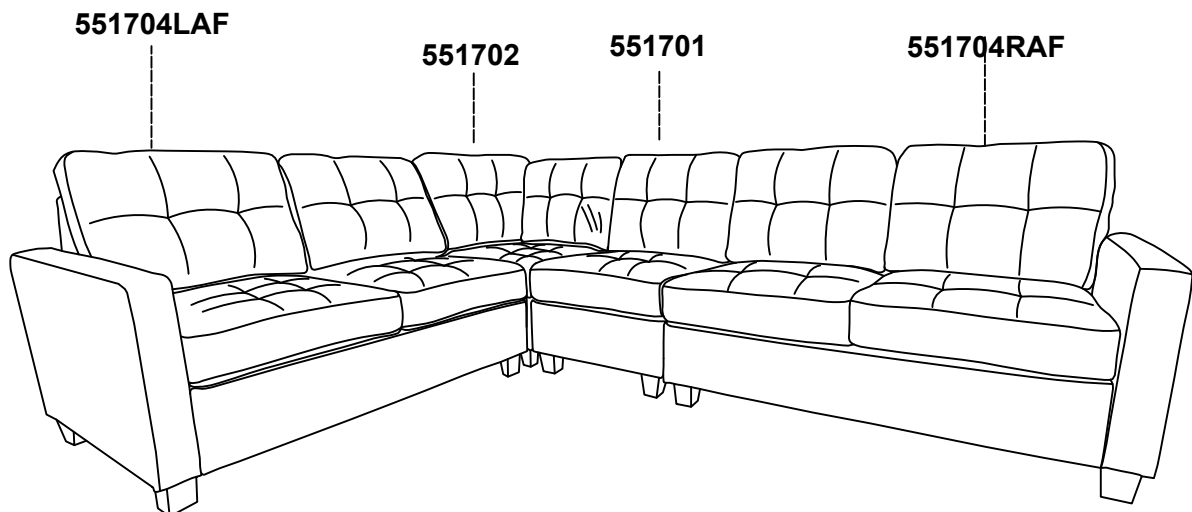
## ASSEMBLY INSTRUCTIONS



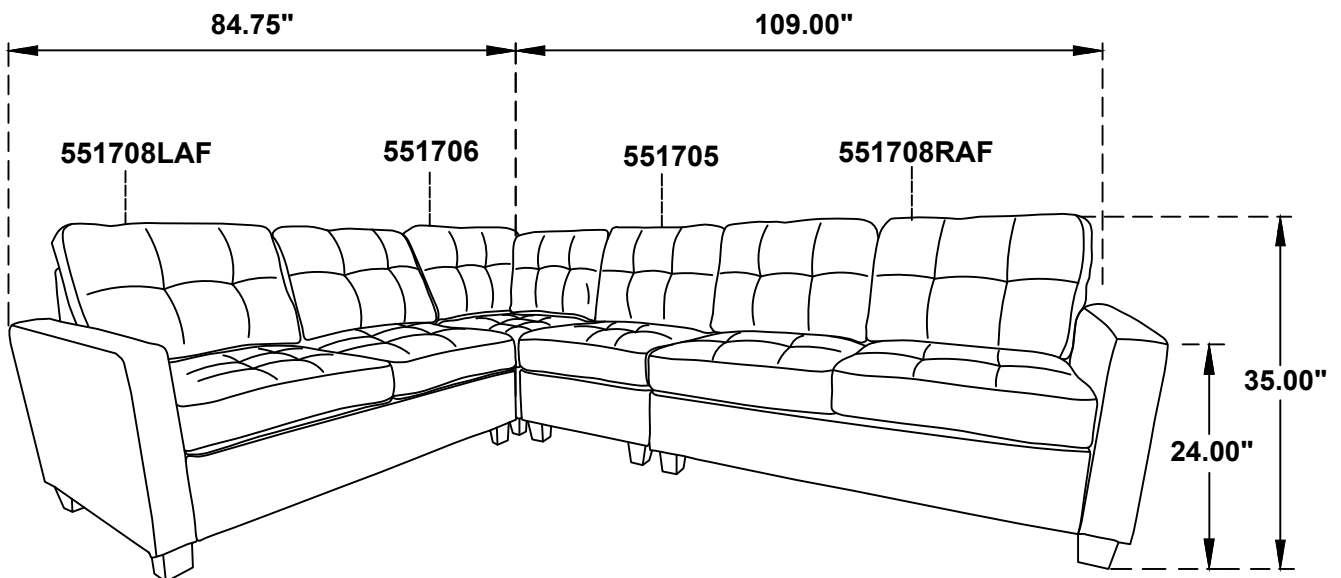
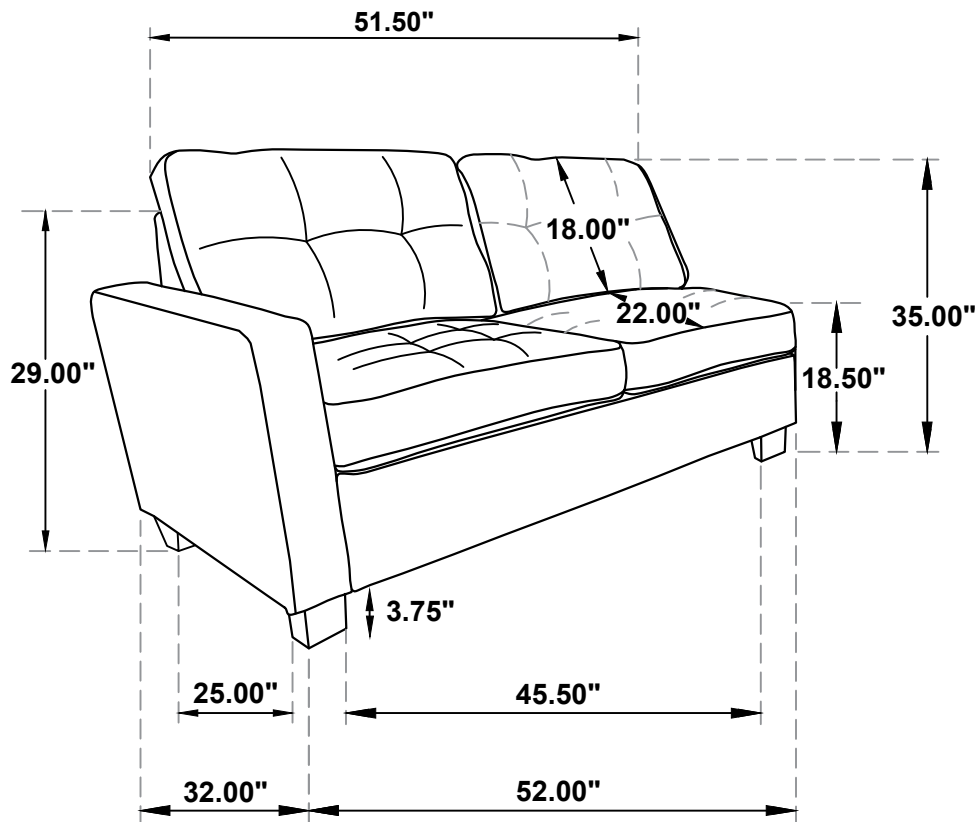
### STEP 7



### STEP 8



# ITEM: 551708LAF



Note: Dimension tolerance  $\pm 5\%$