

*ASSEMBLY INSTRUCTIONS*  
*COASTER FINE FURNITURE*



*Fine Furniture for every stage of life*

**551708RAF**  
***Raf Loveseat***

# ITEM: 551708RAF



## ASSEMBLY INSTRUCTIONS

### ASSEMBLY TIPS:

1. Remove hardware from box and sort by size.
2. Please check to see that all hardware and parts are present prior to start of assembly.
3. Please follow attached instructions in the same sequence as numbered to assure fast & easy assembly.



### WARNING!

1. Don't attempt to repair or modify parts that are broken or defective. Please contact the store immediately.
2. This product is for home use only and not intended for commercial establishments.



ASSEMBLY TIME

10 MINUTES

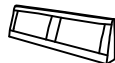
## PARTS IDENTIFICATION

A SEAT



1PC

C RIGHT BACK



1PC

E LEG



4PCS

B RIGHT ARM



1PC

D RIGHT BACK CUSHION



2PCS

## HARDWARE IDENTIFICATION

1 HEX NUT

(Ø5/16"\*6mm-RBW)



7PCS

3 THREADED BOLT

(Ø5/16"\*85MM-RBW)



7PCS

5 PLASTIC WASHER

(Ø50\*2MM-BLK)



4PCS

2 FLAT WASHER

(Ø5/16"\*16\*1.5MM-RBW)



7PCS

4 WRENCH

(M13\*89MM-RBW)



1PC

6 LOCK WASHER

(Ø5/16"\*2MM-RBW)



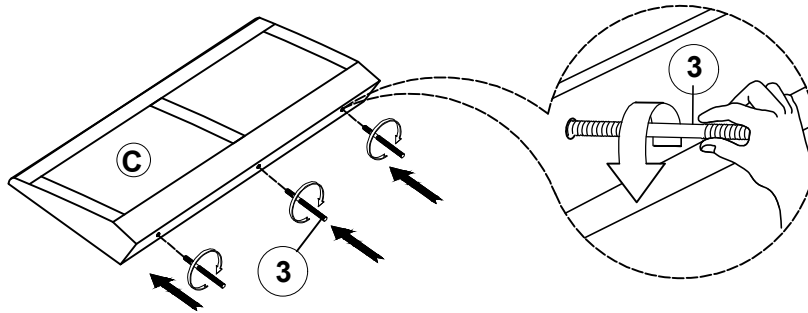
7PCS

# ITEM: 551708RAF

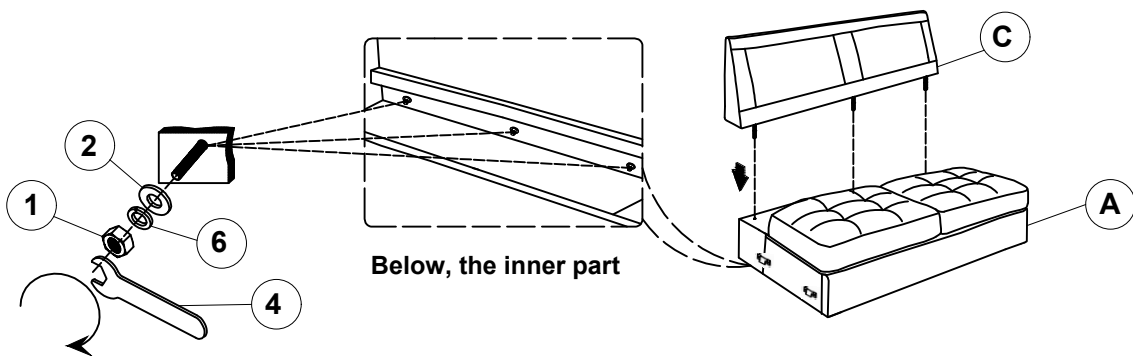
## ASSEMBLY INSTRUCTIONS



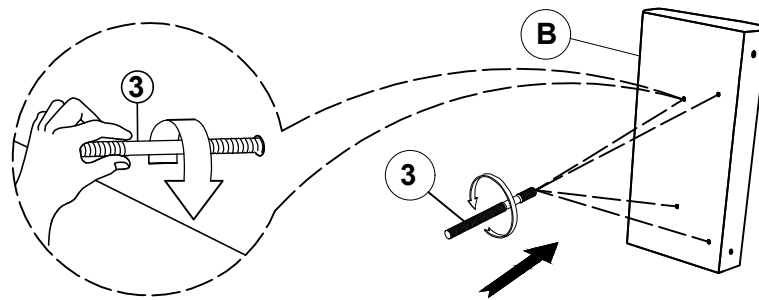
### STEP 1



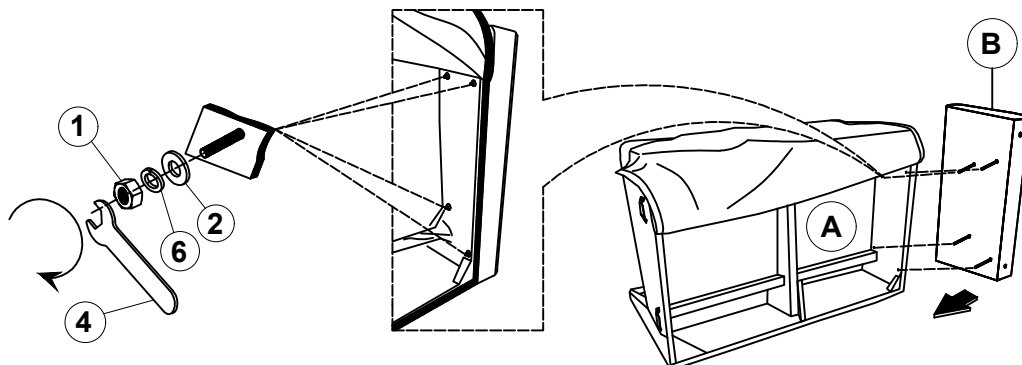
### STEP 2



### STEP 3



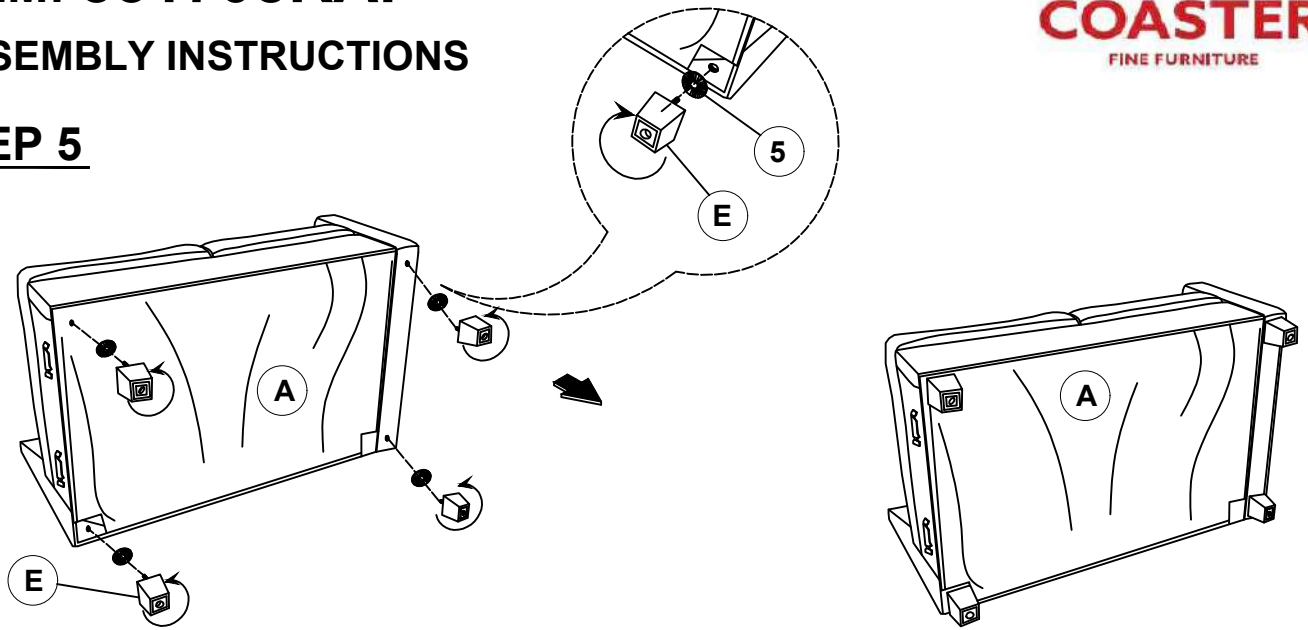
### STEP 4



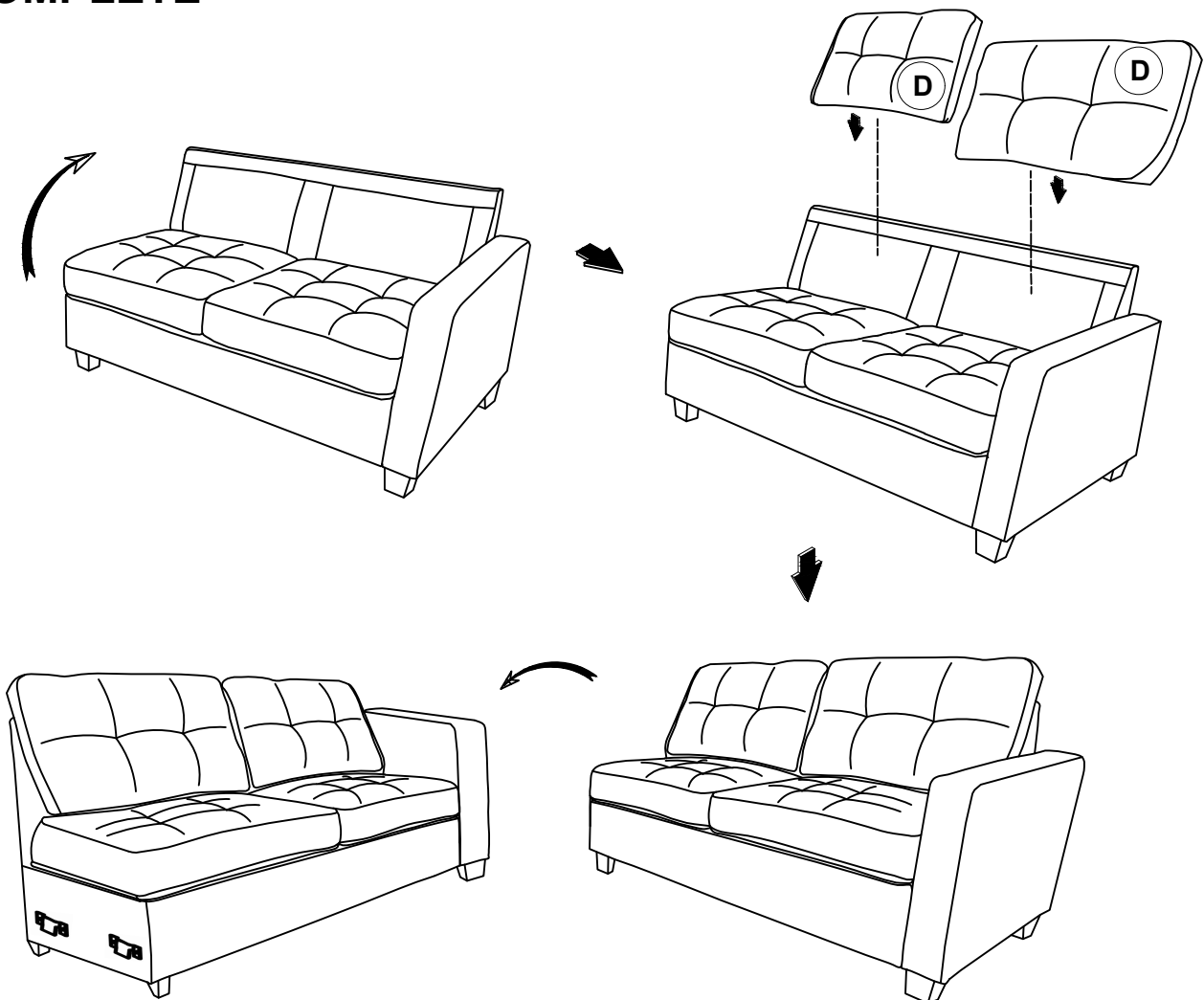
**ITEM: 551708RAF**  
**ASSEMBLY INSTRUCTIONS**



**STEP 5**



**STEP 6**  
**COMPLETE**

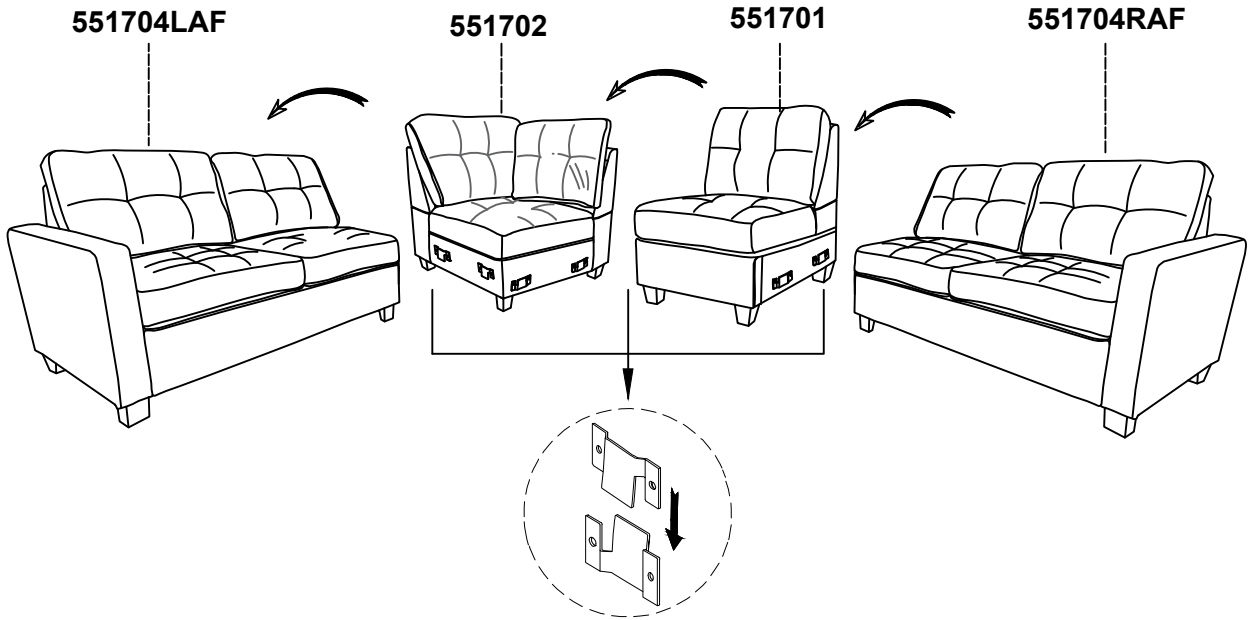


# ITEM: 551708RAF

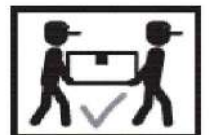
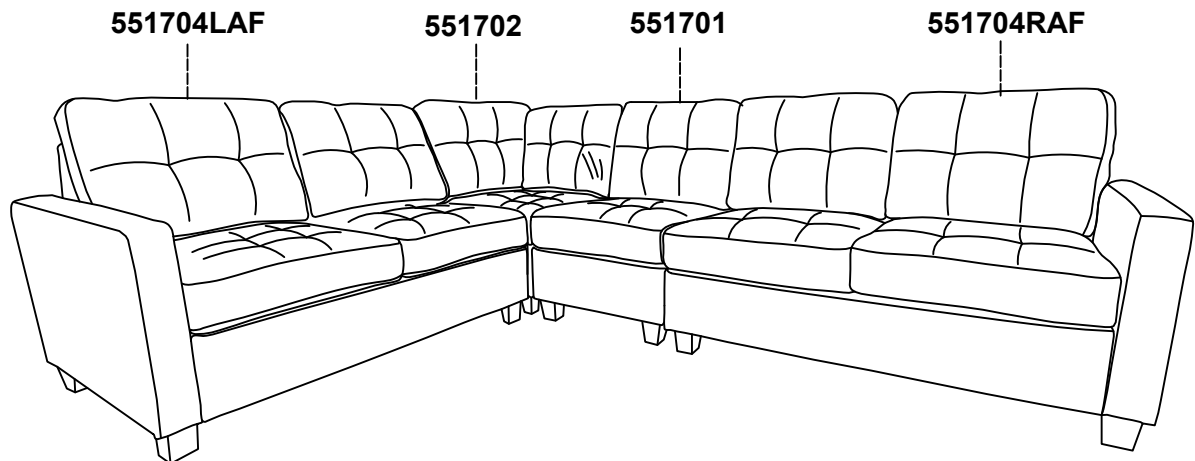
## ASSEMBLY INSTRUCTIONS



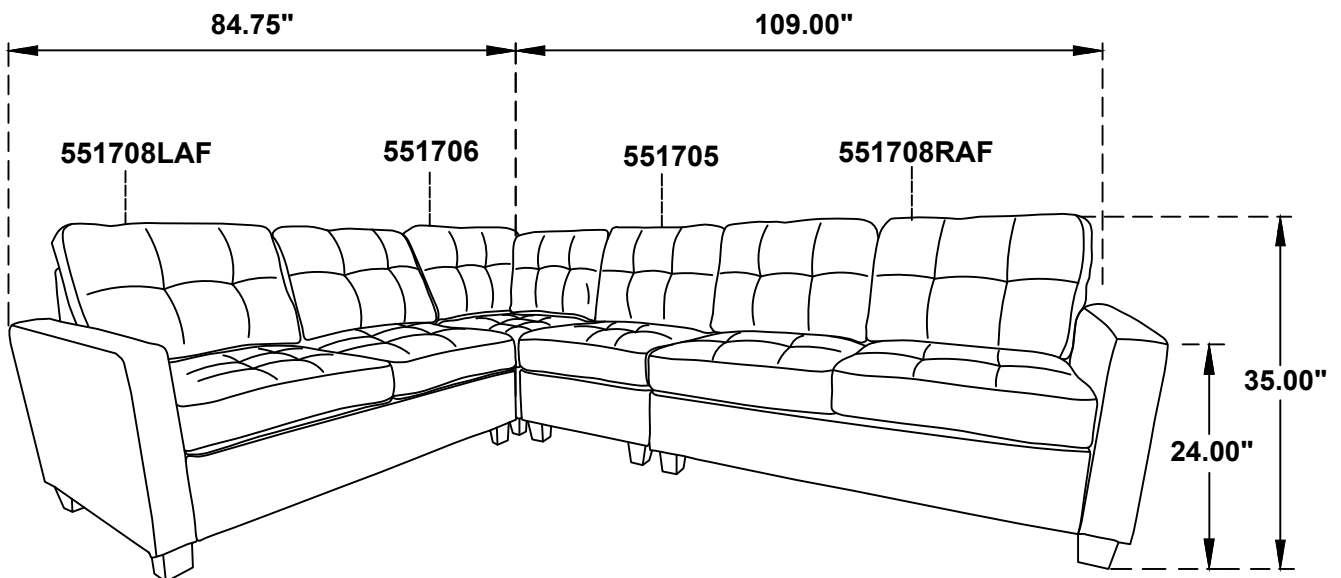
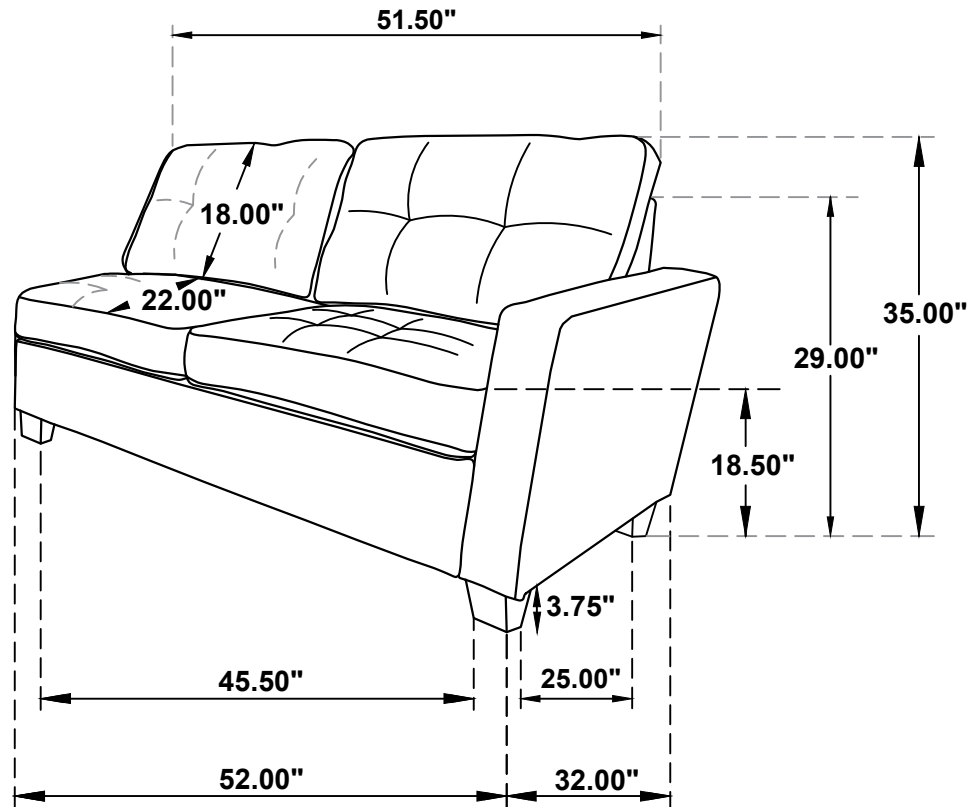
### STEP 7



### STEP 8



# ITEM: 551708RAF



Note: Dimension tolerance  $\pm 5\%$