



*ASSEMBLY INSTRUCTIONS  
COASTER FINE FURNITURE*



*Fine Furniture for every stage of life*

**509211  
SOFA**

REVISION 0: 10/10/2019  
REVISION 1: 04/12/2023

[COASTERFURNITURE.COM](http://COASTERFURNITURE.COM)

**PAGE 1 OF 3**

ITEM: 509211

ASSEMBLY INSTRUCTIONS

ASSEMBLY TIPS:

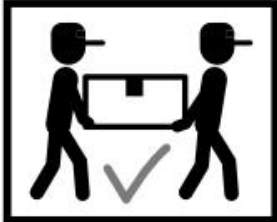


- 1. Remove hardware from box and sort by size.
- 2. Please check to see that all hardware and parts are present prior to start of assembly.
- 3. Please follow attached instructions in the same sequence as numbered to assure fast & easy assembly.



WARNING!

- 1. Don't attempt to repair or modify parts that are broken or defective. Please contact the store immediately.
- 2. This product is for home use only and not intended for commercial establishments.



ASSEMBLY TIME 15 MINUTES

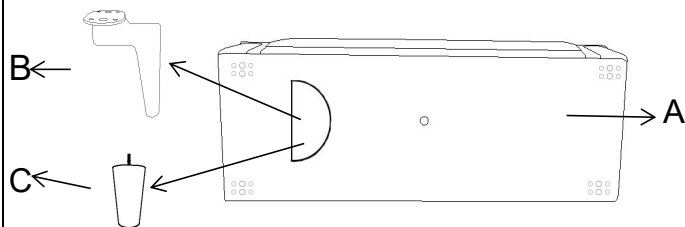
PARTS IDENTIFICATION

A		BASE	1PC
B		LEG	4PCS
C		MIDDLE LEG	1PC

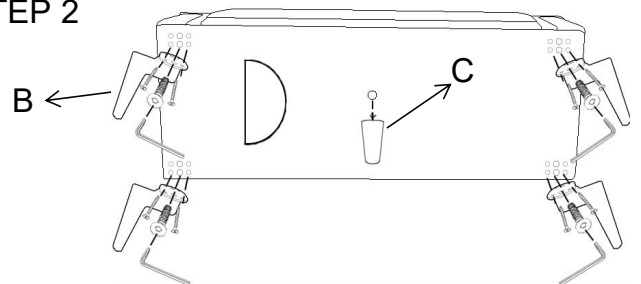
Z HARDWARE PACKAGE

NO	DESCRIPTION	FIGURE	Q'TY
(1)	SCREW φ10MM*29MM		16PCS
(2)	SHORT BOLT φ12MM*34MM		8PCS
(3)	ALLEN WRENCH φ4MM		1PC

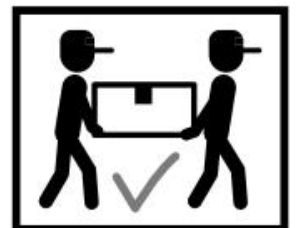
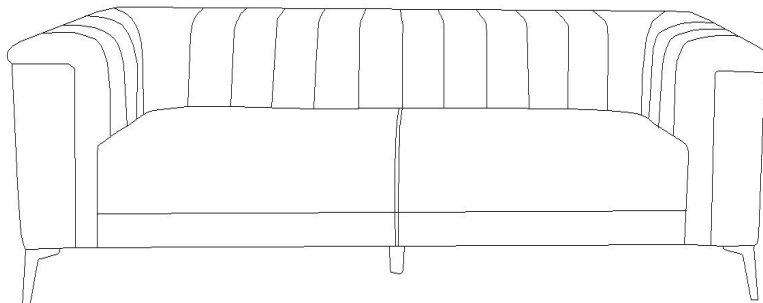
STEP 1



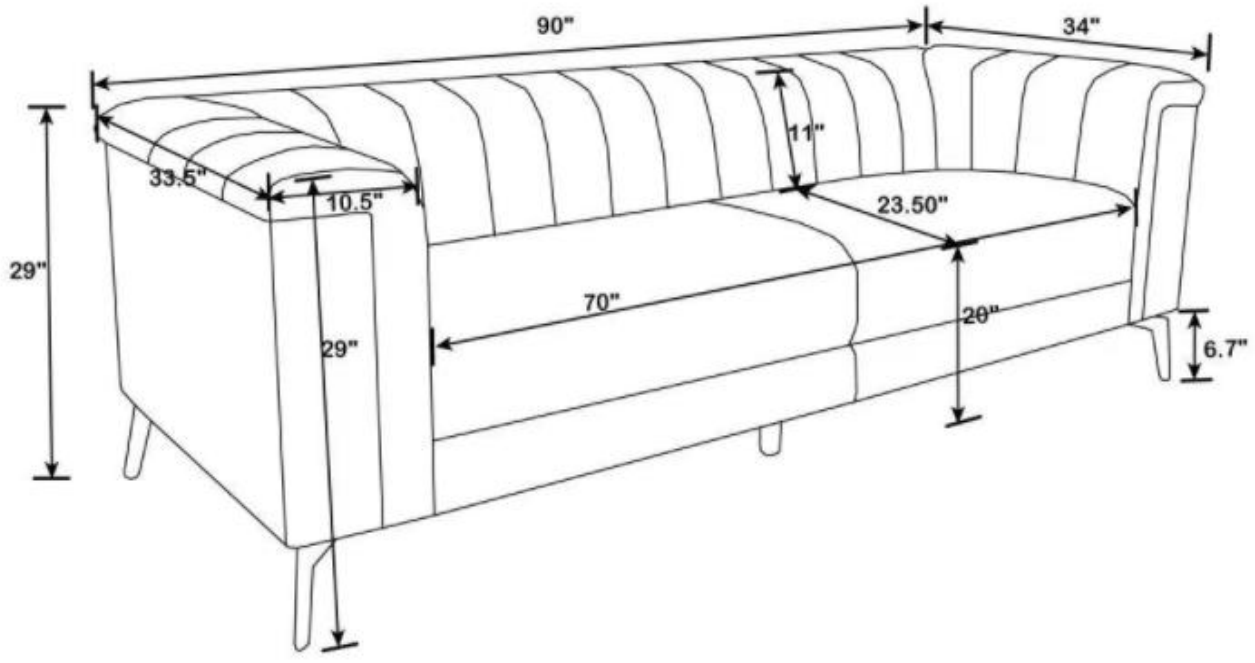
STEP 2



STEP 3



ITEM: 509211



**Note** : Dimension tolerance  $\pm 5\%$

COASTERFURNITURE.COM