



*ASSEMBLY INSTRUCTIONS  
COASTER FINE FURNITURE*



*Fine Furniture for every stage of life*

**509212  
LOVESEAT**

REVISION 0: 10/10/2019  
REVISION 1: 04/12/2023

[COASTERFURNITURE.COM](http://COASTERFURNITURE.COM)

**PAGE 1 OF 3**

ITEM: 509212

ASSEMBLY INSTRUCTIONS

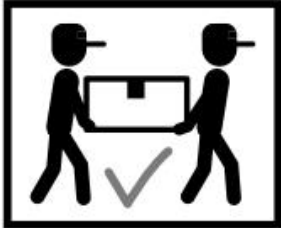
ASSEMBLY TIPS:

1. Remove hardware from box and sort by size.
2. Please check to see that all hardware and parts are present prior to start of assembly.
3. Please follow attached instructions in the same sequence as numbered to assure fast & easy assembly.



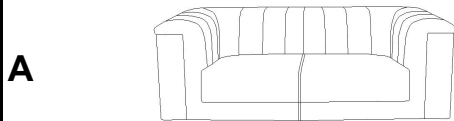
**WARNING!**

1. Don't attempt to repair or modify parts that are broken or defective. Please contact the store immediately.
2. This product is for home use only and not intended for commercial establishments.



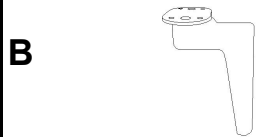
ASSEMBLY TIME 15 MINUTES

**PARTS IDENTIFICATION**



BASE

1PC



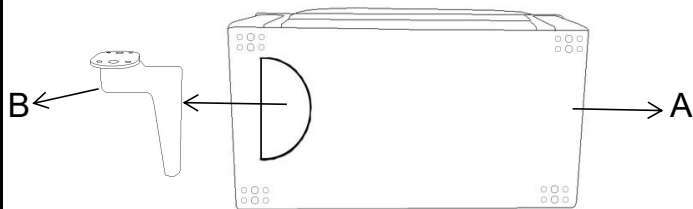
LEG

4PCS

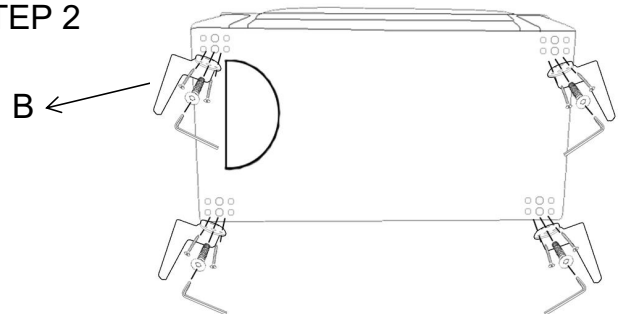
**Z HARDWARE PACKAGE**

NO	DESCRIPTION	FIGURE	Q'TY
(1)	SCREW φ10MM*29MM		16PCS
(2)	SHORT BOLT φ12MM*34MM		8PCS
(3)	ALLEN WRENCH φ4MM		1PC

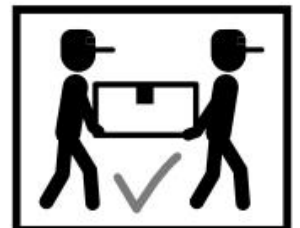
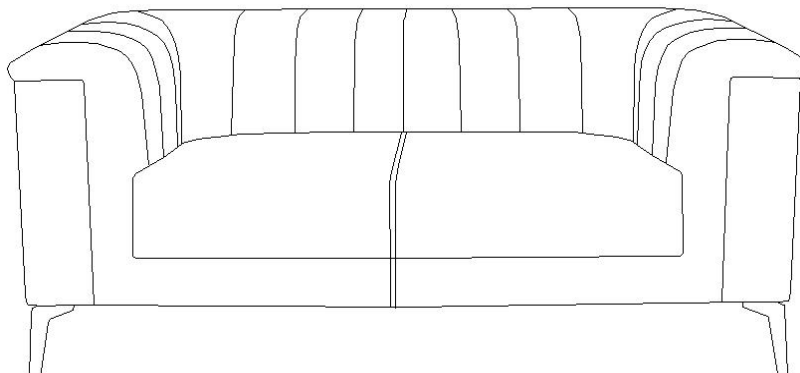
STEP 1



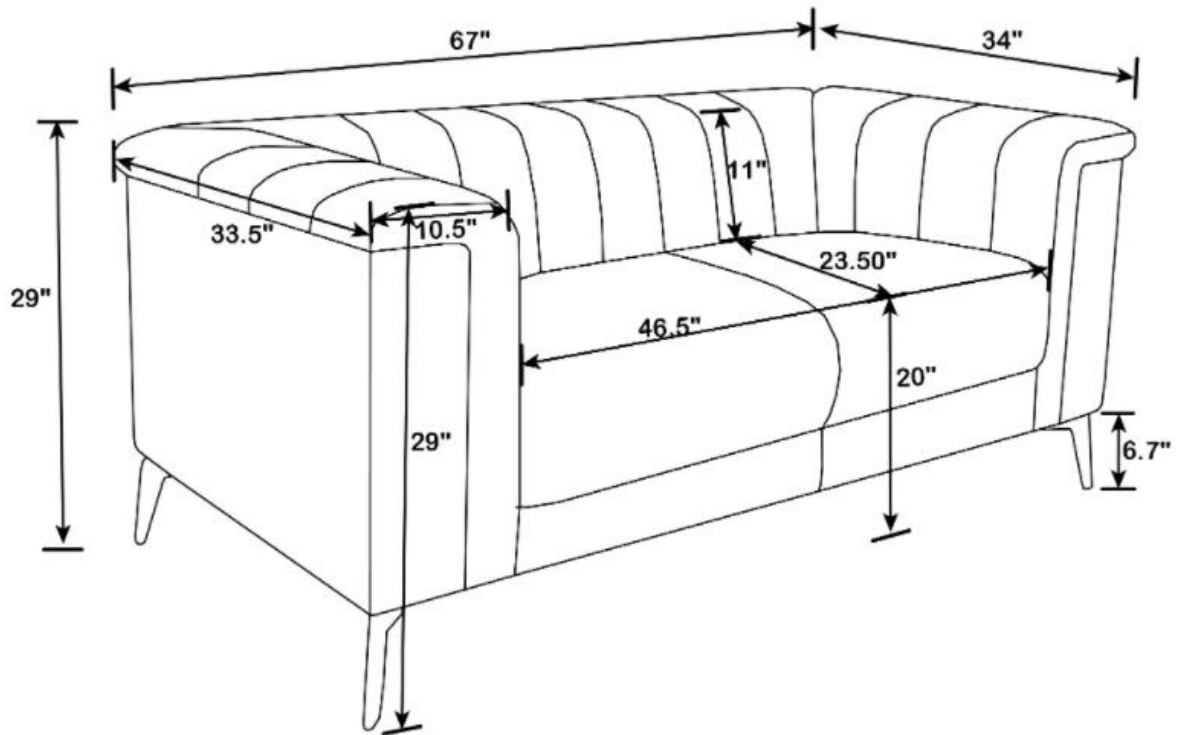
STEP 2



STEP 3



ITEM: 509212



**Note** : Dimension tolerance  $\pm 5\%$

COASTERFURNITURE.COM