

*ASSEMBLY INSTRUCTIONS*  
*COASTER FINE FURNITURE*



*Fine Furniture for every stage of life*

**120630**  
***DINING TABLE***

ITEM:120630



# ASSEMBLY INSTRUCTIONS

## ASSEMBLY TIPS:

1. Remove hardware from box and sort by size.
2. Please check to see that all hardware and parts are present prior to start of assembly.
3. Please follow attached instructions in the same sequence as numbered to assure fast & easy assembly.



## WARNING!

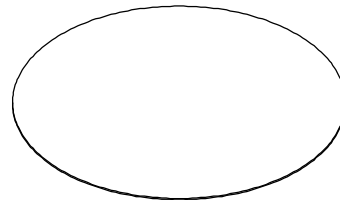
1. Don't attempt to repair or modify parts that are broken or defective. Please contact the store immediately.
2. This product is for home use only and not intended for commercial establishments.



ASSEMBLY TIME 35 MINUTES

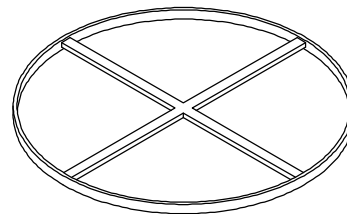
## PARTS IDENTIFICATION

A MIRROR



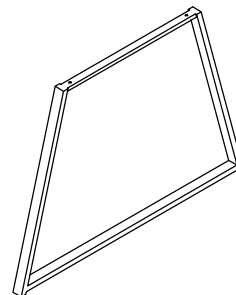
1PC

B TOP FRAME



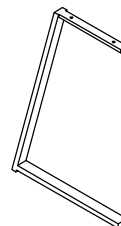
1PC

C LARGE LEG FRAME



1PC

D SMALL LEG FRAME



1PC

ITEM:120630

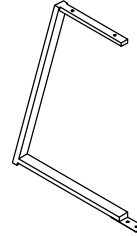
# ASSEMBLY INSTRUCTIONS

## PARTS IDENTIFICATION



E

SMALL LEG FRAME  
WITH METAL



1PC

Z

## HARDWARE IDENTIFICATION

1 SHORT BOLT  
(1/4" x 12mm BLK)



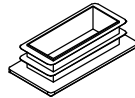
2PCS

2 LONG BOLT  
(1/4" x 28mm BLK)



6PCS

3 CAP  
(20 x 40mm BLK)



4PCS

4 SUCTION CUP



4PCS

5 ALLEN WRENCH  
(4mm)



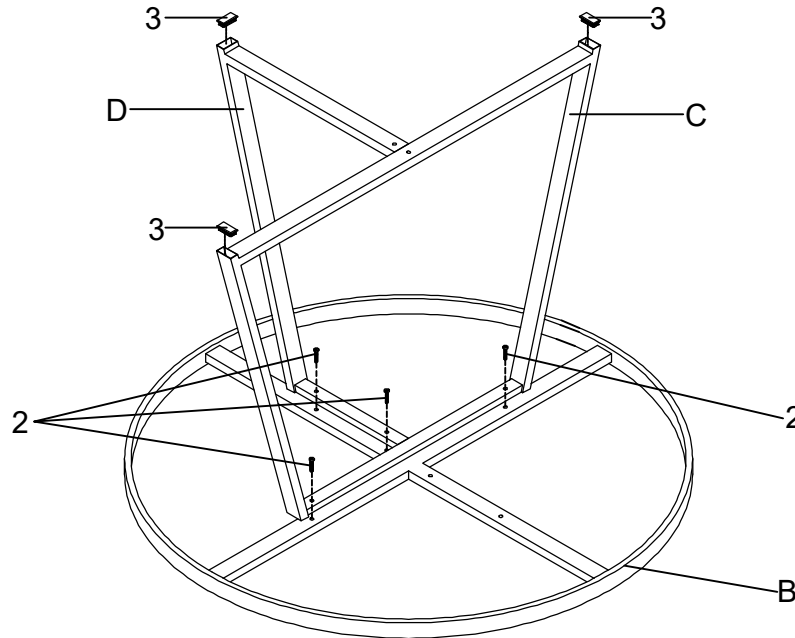
1PC

ITEM:120630

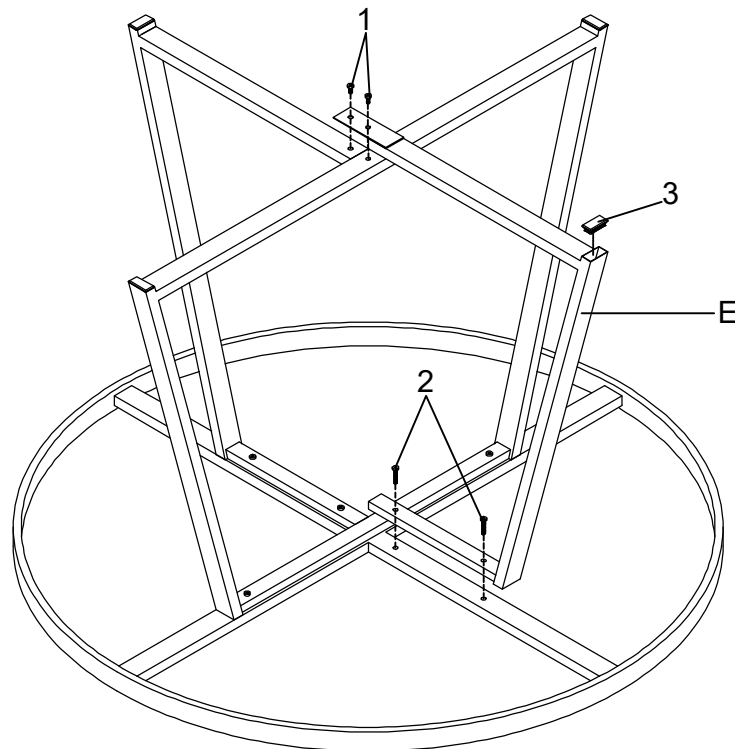
# ASSEMBLY INSTRUCTIONS



**STEP 1** Do not tighten until each step is completed or instructed.



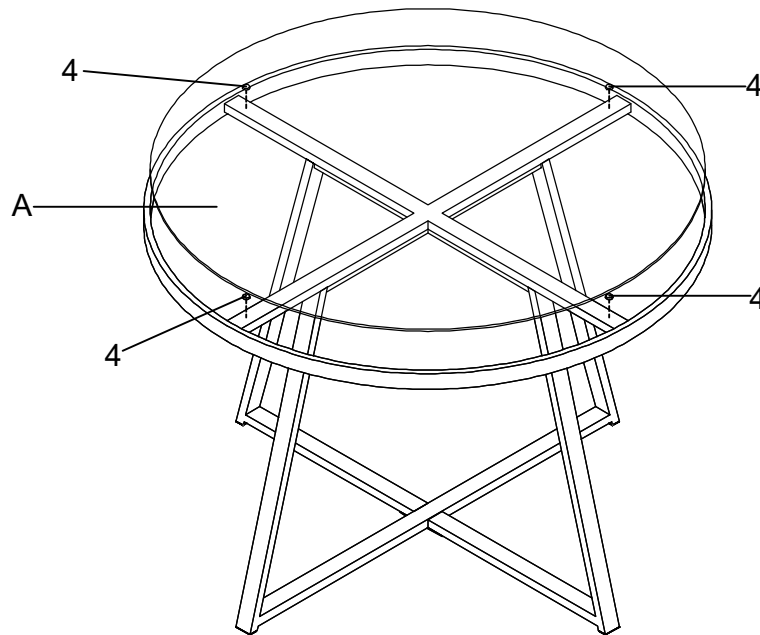
## STEP 2



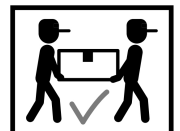
ITEM:120630

# ASSEMBLY INSTRUCTIONS

## STEP 3



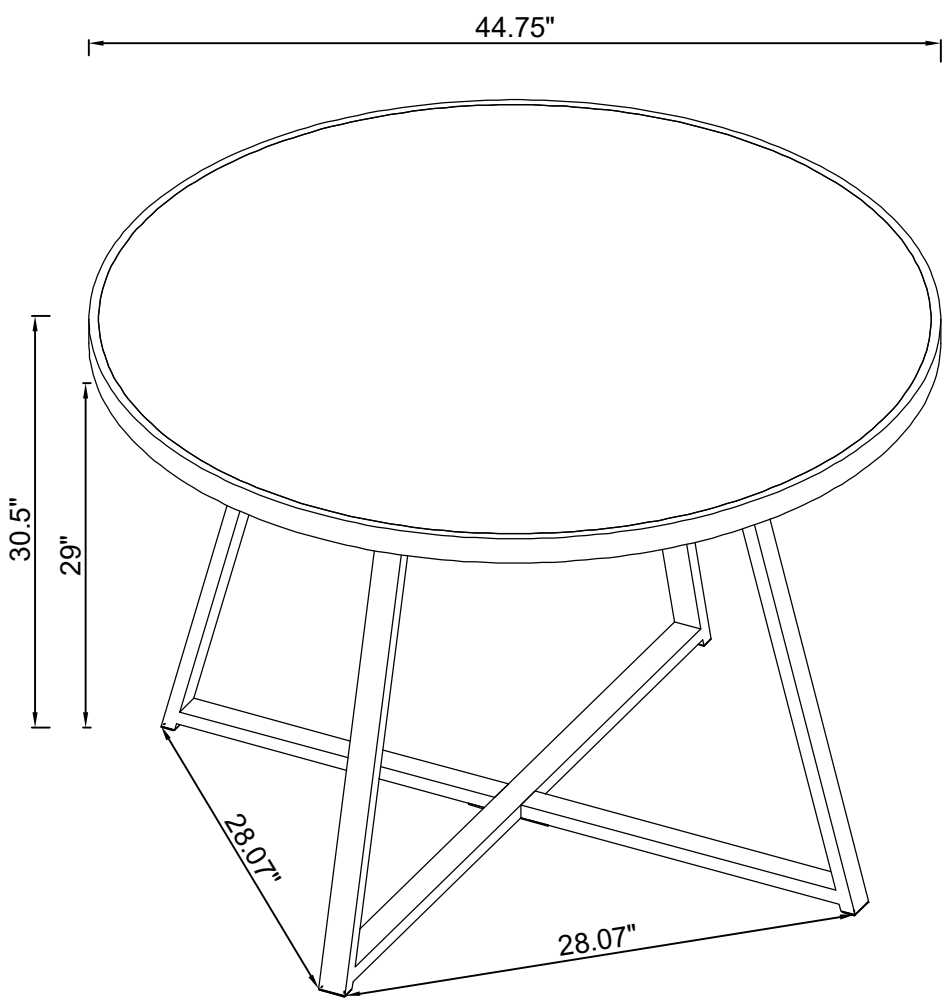
## STEP 4 COMPLETE



# ITEM:120630 ASSEMBLY INSTRUCTIONS



<b>Product Size : 1137 DIA X 775 H (MM)</b>
<b>Product Size : 44.75" DIA X 30.5"</b>



Note : Dimension tolerance  $\pm 5\%$