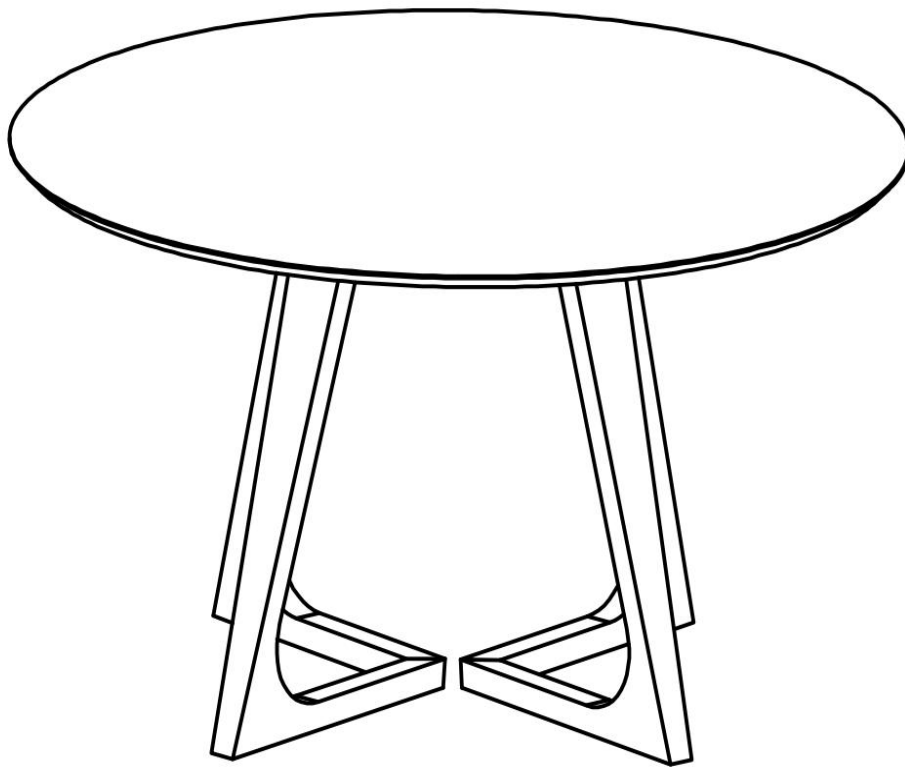




*ASSEMBLY INSTRUCTIONS*  
*COASTER FINE FURNITURE*



**107171**  
***DINING TABLE***

# ITEM: 107171 (B1-B2)



## ASSEMBLY INSTRUCTIONS

### ASSEMBLY TIPS:

1. Remove hardware from box and sort by size.
2. Please check to see that all hardware and parts are present prior to start of assembly.
3. Please follow attached instructions in the same sequence as numbered to assure fast & easy assembly.



### WARNING!

1. Don't attempt to repair or modify parts that are broken or defective. Please contact the store immediately.
2. This product is for home use only and not intended for commercial establishments.



ASSEMBLY TIME

10 MINUTES

## PARTS IDENTIFICATION

### B1 ( BOX 1)

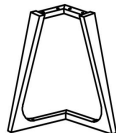
A TOP MARBLE



1PC

### B2 ( BOX 2)

B BASE



2PCS

# ITEM:107171 (B1-B2)

## ASSEMBLY INSTRUCTIONS

### ASSEMBLY TIPS:




1. Remove hardware from box and sort by size.
2. Please check to see that all hardware and parts are present prior to start of assembly.
3. Please follow attached instructions in the same sequence as numbered to assure fast & easy assembly.



### WARNING!

1. Don't attempt to repair or modify parts that are broken or defective. Please contact the store immediately.
2. This product is for home use only and not intended for commercial establishments.

## Z-HARDWARE IDENTIFICATION

1 ALLEN WRENCH		1PC
2 SHORT BOLT (M8*45mm)		8PCS
3 FLAT WASHER D20*2		8PCS

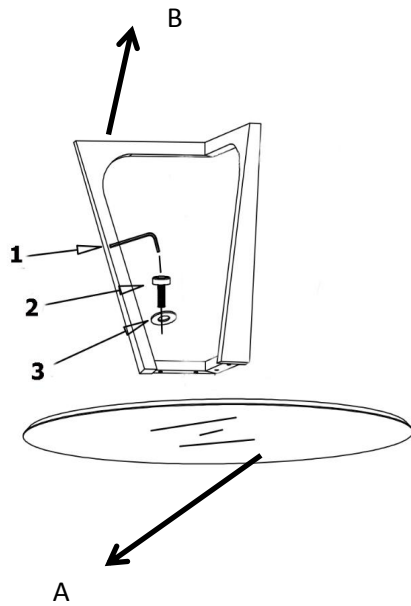
Hardware pack is located in 107171 B2

# ITEM:107171 (B1-B2)

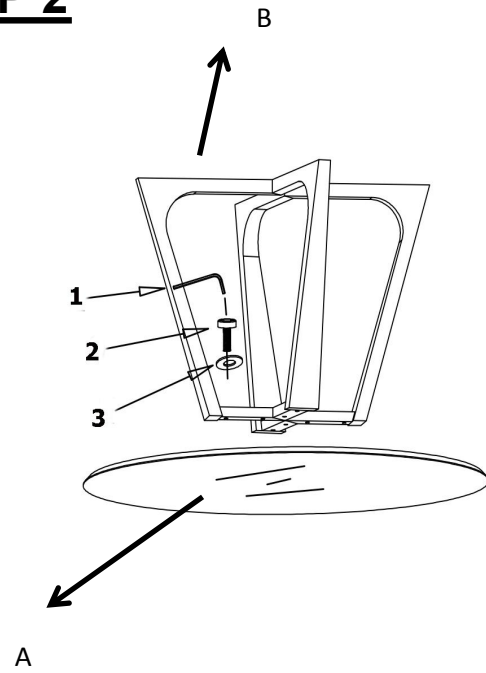
## ASSEMBLY INSTRUCTIONS



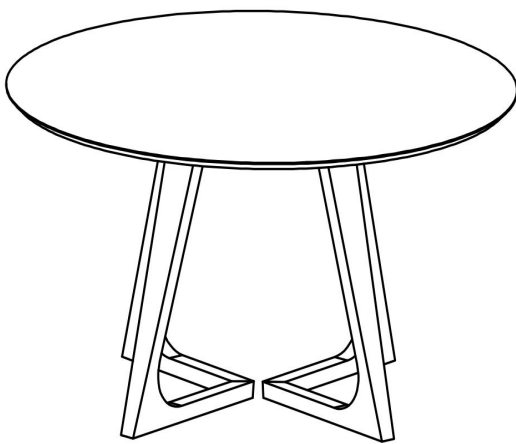
### STEP 1



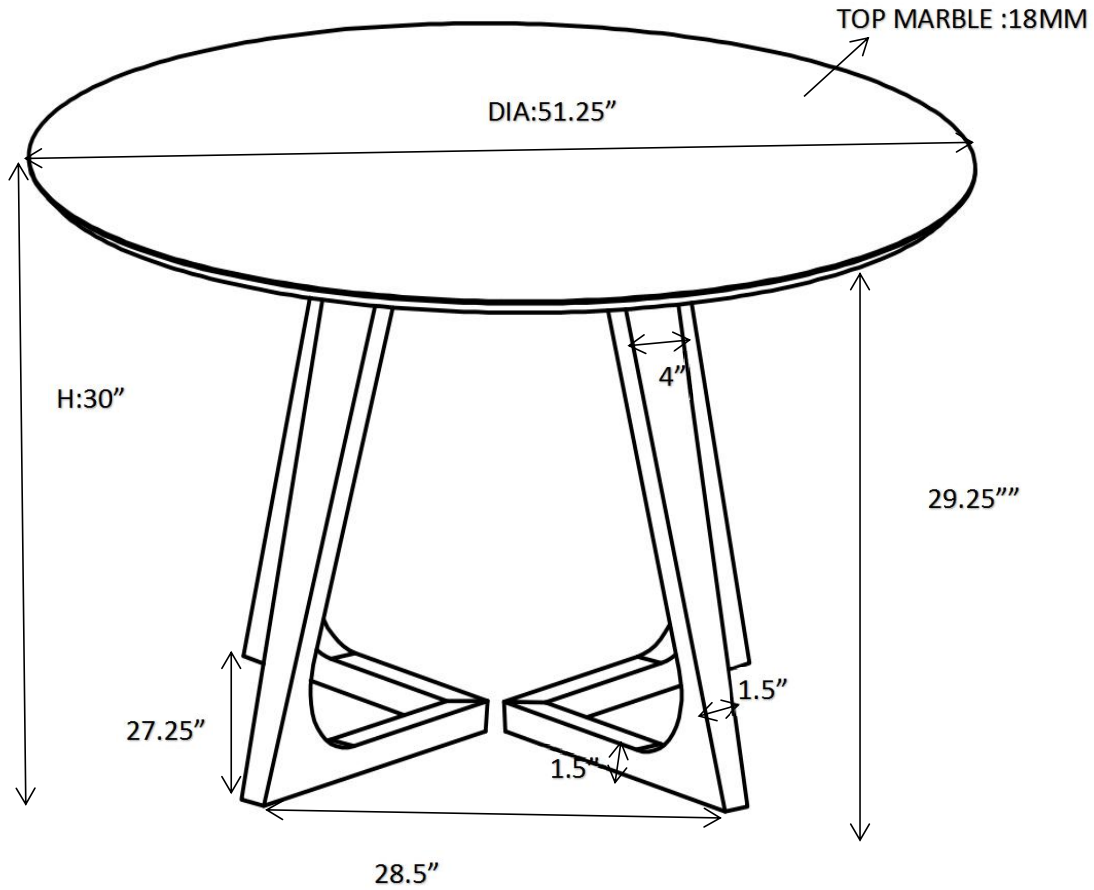
### STEP 2



### STEP 3



ITEM:107171 (B1-B2)



**Note : Dimension tolerance  $\pm 5\%$**