



*ASSEMBLY INSTRUCTIONS  
COASTER FINE FURNITURE*



Fine Furniture for every stage of life

**509900**  
**Sectional**

ITEM: 509900B1

## ASSEMBLY INSTRUCTIONS



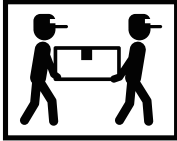
### ASSEMBLY TIPS:

1. Remove hardware from box and sort by size.
2. Please check to see that all hardware and parts are present prior to start of assembly.
3. Please follow attached instructions in the same sequence as numbered to assure fast & easy assembly.



### WARNING!

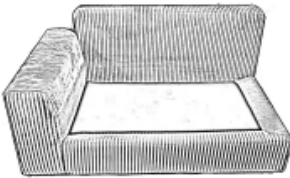



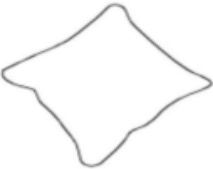

1. Don't attempt to repair or modify parts that are broken or defective. Please contact the store immediately.
2. This product is for home use only and not intended for commercial establishments.



**ASSEMBLY TIME**

**8 MINUTES**

### PARTS IDENTIFICATION

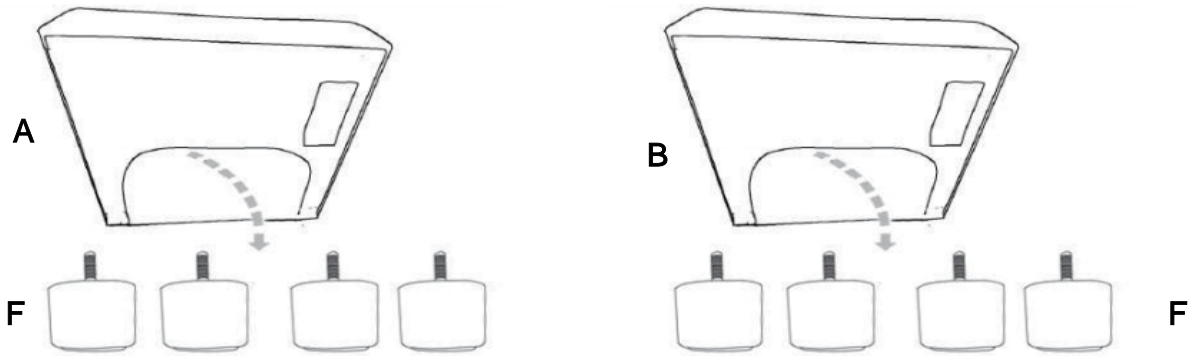
B1	PART NAME	FIGURE	QUANTITY
A	LAF LOVESEAT BASE		1PC
B	CHAISE BASE		1PC
C	CHAISE SEAT CUSHION		1PC
D	LOVESEAT BACK CUSHION		1PC
E	PILLOW (3pcs located in B1; 3pcs located in B2)		6PCS
F	LEG		8PCS

ITEM: 509900B1

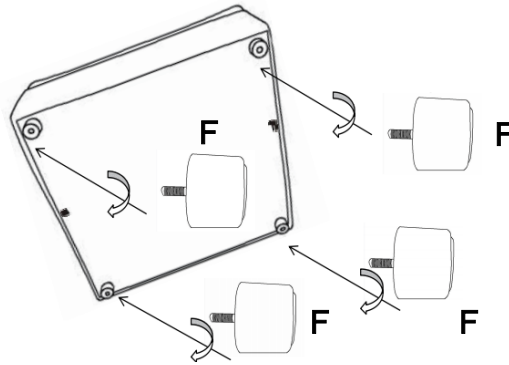


## ASSEMBLY INSTRUCTIONS

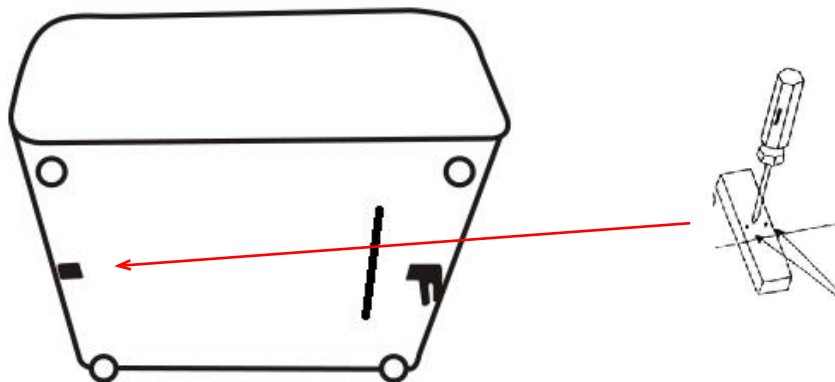
**STEP 1** Turn over the item and take out the legs from zippered pouch



**STEP 2** Install the legs as pictures show

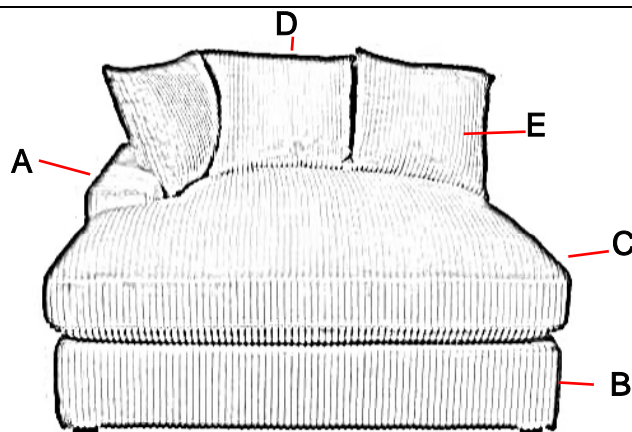


**STEP 3** Please remove the wood block with screwdriver, do not use a hammer



**STEP 4**

COMPLETE



ITEM: 509900B2

## ASSEMBLY INSTRUCTIONS



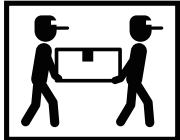
### ASSEMBLY TIPS:

1. Remove hardware from box and sort by size.
2. Please check to see that all hardware and parts are present prior to start of assembly.
3. Please follow attached instructions in the same sequence as numbered to assure fast & easy assembly.

### WARNING!



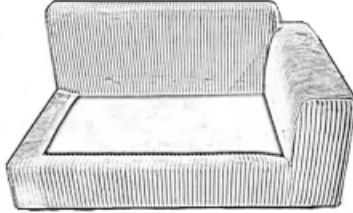
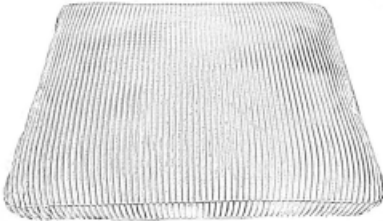
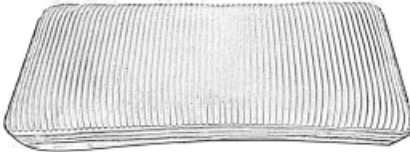
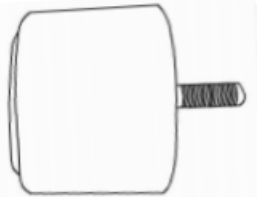
1. Don't attempt to repair or modify parts that are broken or defective. Please contact the store immediately.
2. This product is for home use only and not intended for commercial establishments.



ASSEMBLY TIME

8 MINUTES

### PARTS IDENTIFICATION

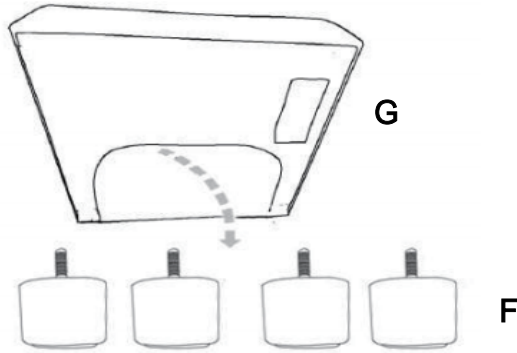
B2	PART NAME	FIGURE	QUANTITY
G	RAF LOVESEAT BASE		1PC
H	LOVESEAT SEAT CUSHION		1PC
D	LOVESEAT BACK CUSHION		1PC
F	LEG		4PCS

ITEM: 509900B2

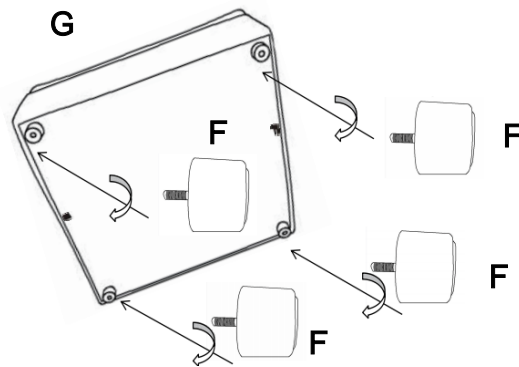


## ASSEMBLY INSTRUCTIONS

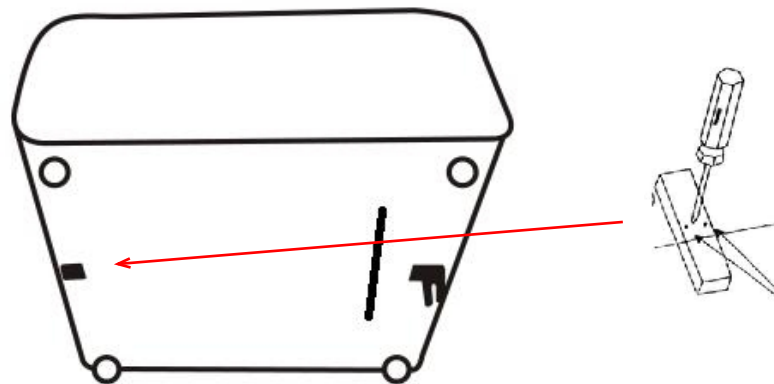
**STEP 5** Turn over the item and take out the legs from zippered pouch



**STEP 6** Install the legs as pictures show

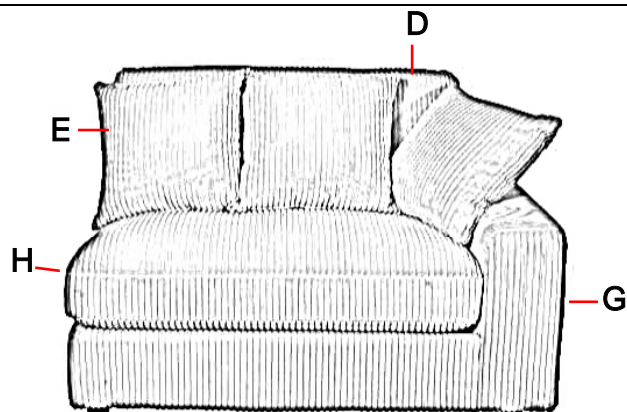


**STEP 7** Please remove the wood block with screwdriver, do not use a hammer



**STEP 8**

COMPLETE

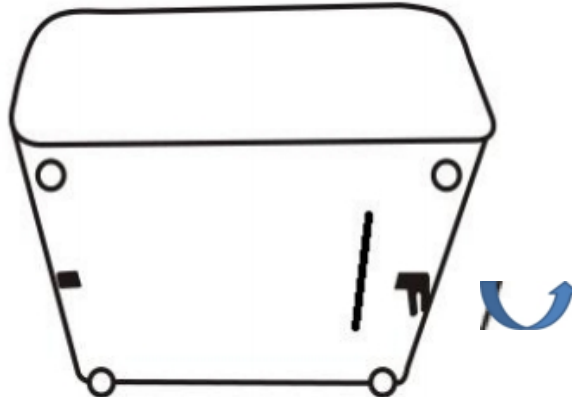


ITEM: 509900

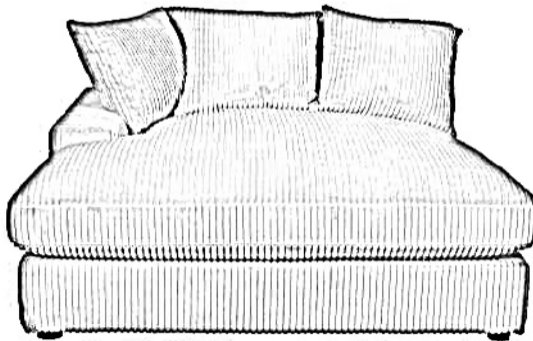
## ASSEMBLY INSTRUCTIONS



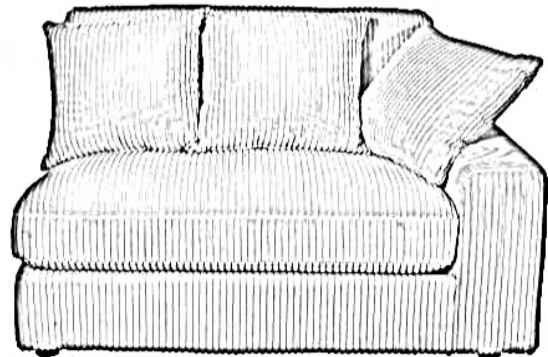
**STEP 9** Rotate the metal clips



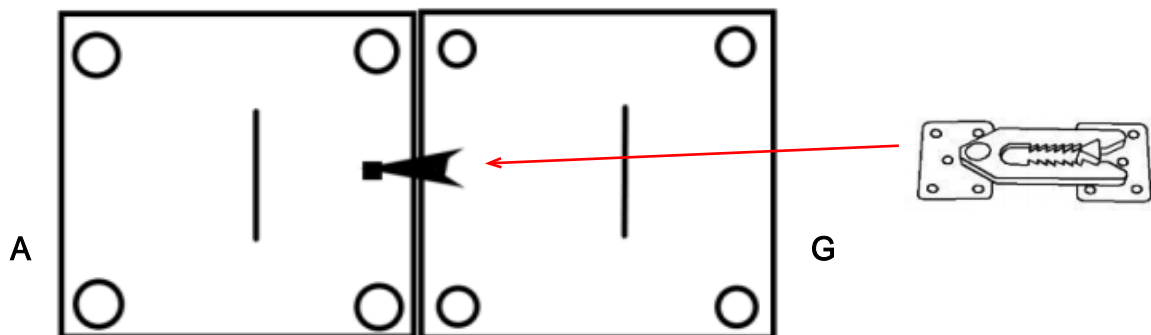
**STEP 10** Put the chaise and loveseat closer  
509900B1



509900B2



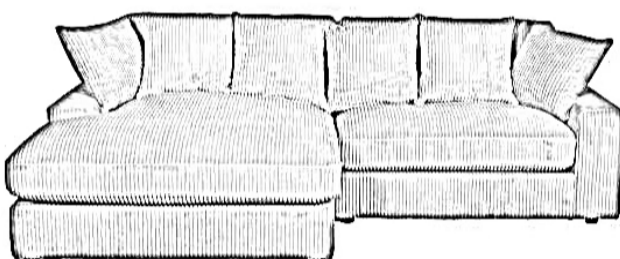
**STEP 11** Insert the metal clips to connect other units as pictures show



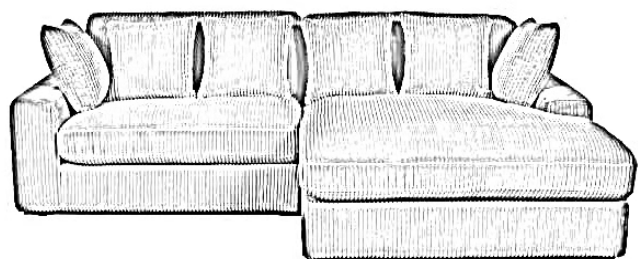
**STEP 12**

COMPLETE

OPTION1

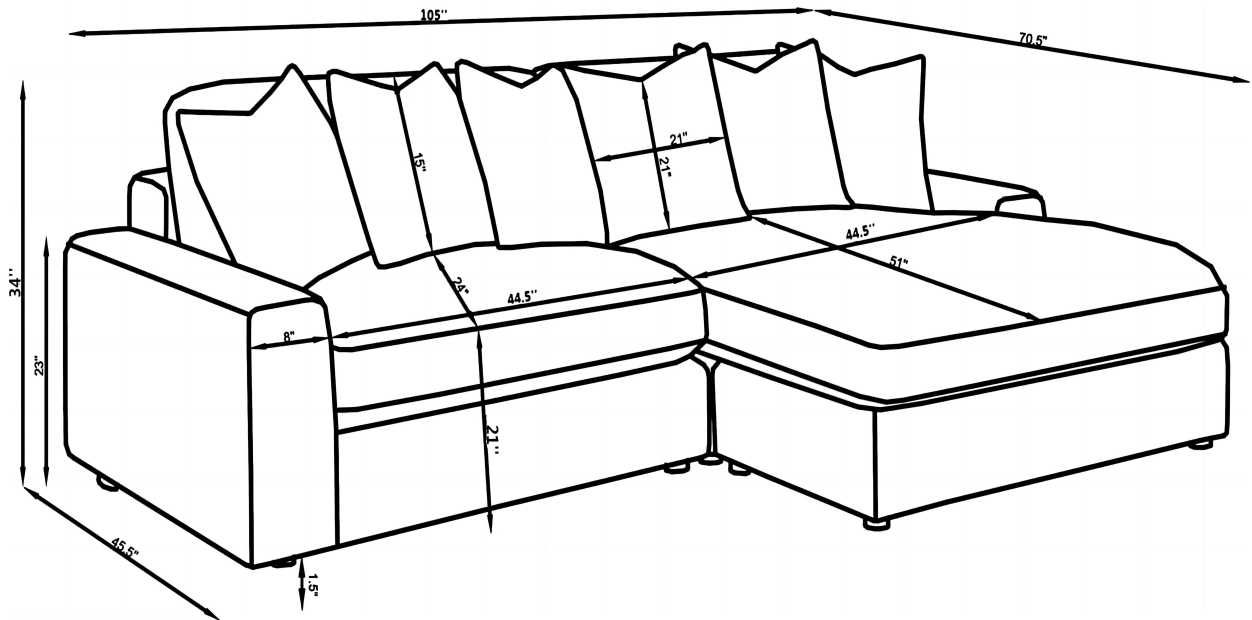


OPTION2





ITEM: 509900



Note : Dimension tolerance  $\pm 5\%$

