

ASSEMBLY INSTRUCTIONS
COASTER FINE FURNITURE



Fine Furniture for every stage of life

950396
ACCENT CABINET

ITEM:950396



ASSEMBLY INSTRUCTIONS

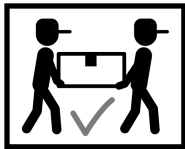
ASSEMBLY TIPS:

1. Remove hardware from box and sort by size.
2. Please check to see that all hardware and parts are present prior to start of assembly.
3. Please follow attached instructions in the same sequence as numbered to assure fast & easy assembly.



WARNING!

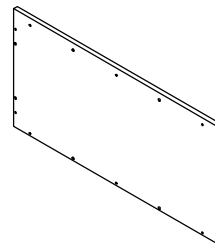
1. Don't attempt to repair or modify parts that are broken or defective. Please contact the store immediately.
2. This product is for home use only and not intended for commercial establishments.



ASSEMBLY TIME 60 MINUTES

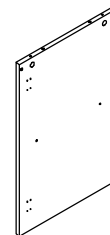
PARTS IDENTIFICATION

A TOP PANEL



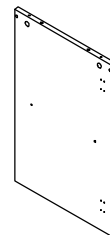
1PC

B LEFT PANEL



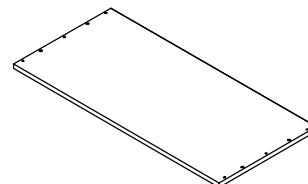
1PC

C RIGHT PANEL



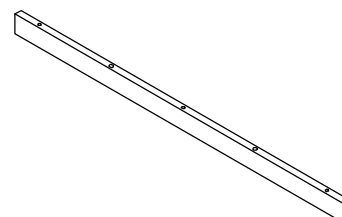
1PC

D BOTTOM PANEL



1PC

E SUPPORT WOOD PANEL



2PCS

ITEM:950396

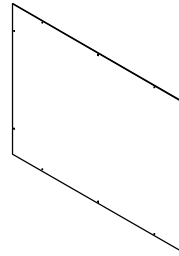
ASSEMBLY INSTRUCTIONS

PARTS IDENTIFICATION



F

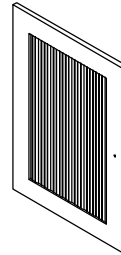
BACK PANEL



1PC

G

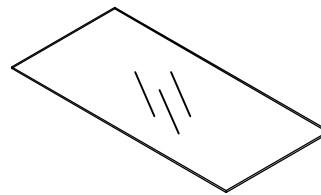
DOOR PANEL



2PCS

H

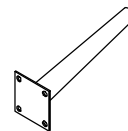
SHELF GLASS



1PC

I

LEG



4PCS

J

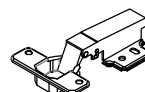
HANDLE



2PCS

K

HINGE



4PCS

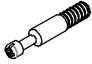





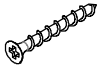




ITEM:950396



ASSEMBLY INSTRUCTIONS

Z

HARDWARE IDENTIFICATION

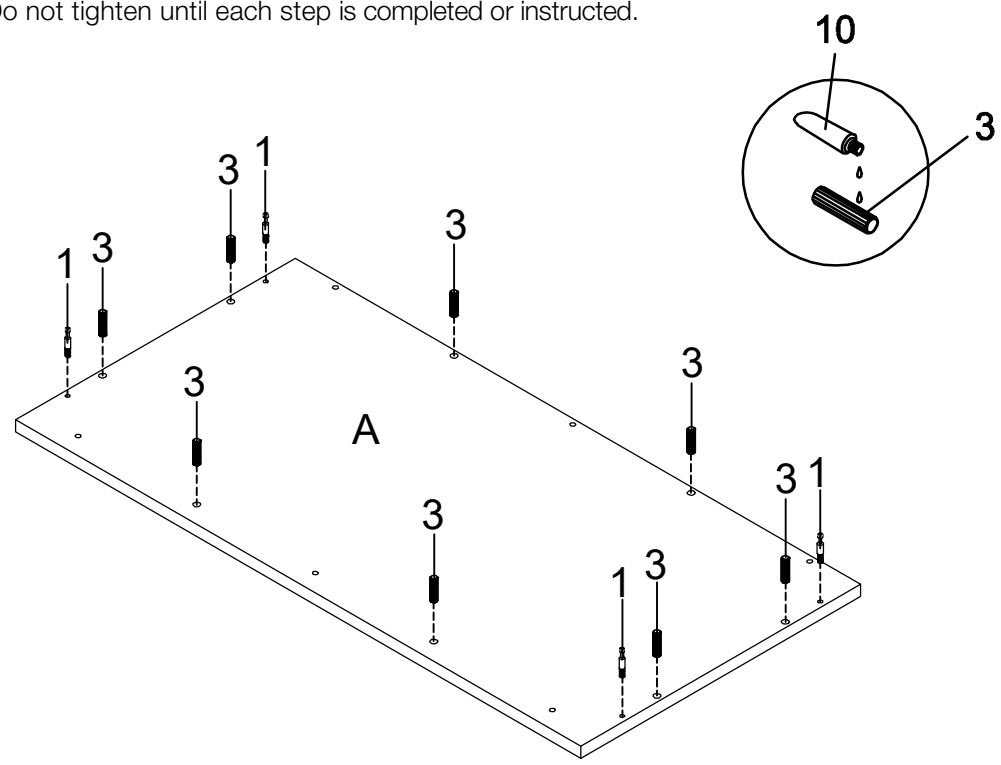
1	CAM-BOLT (6 x 35mm)		4PCS	7	SHELF PIN		4PCS
2	CAM-LOCK (ϕ 15mm)		4PCS	8	SHORT BOLT (1/4" x 12mm SR)		16PCS
3	WOOD DOWEL (8 x 30mm)		16PCS	9	CAP (ϕ 18mm SR)		4PCS
4	LONG SCREW (8# x 38mm GD)		12PCS	10	GLUE		1PC
5	HINGE SCREW (8# x 15mm)		34PCS	11	ALLEN WRENCH (4mm)		1PC
6	HADNLE BOLT (5/32" x 20mm)		2PCS				

ITEM:950396

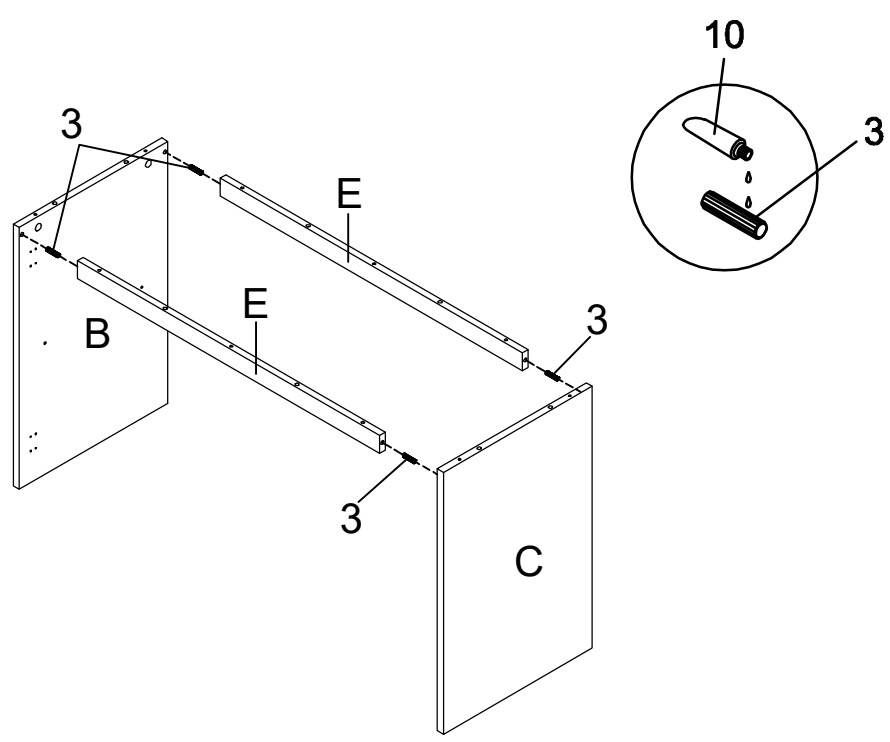


ASSEMBLY INSTRUCTIONS

STEP 1 Do not tighten until each step is completed or instructed.



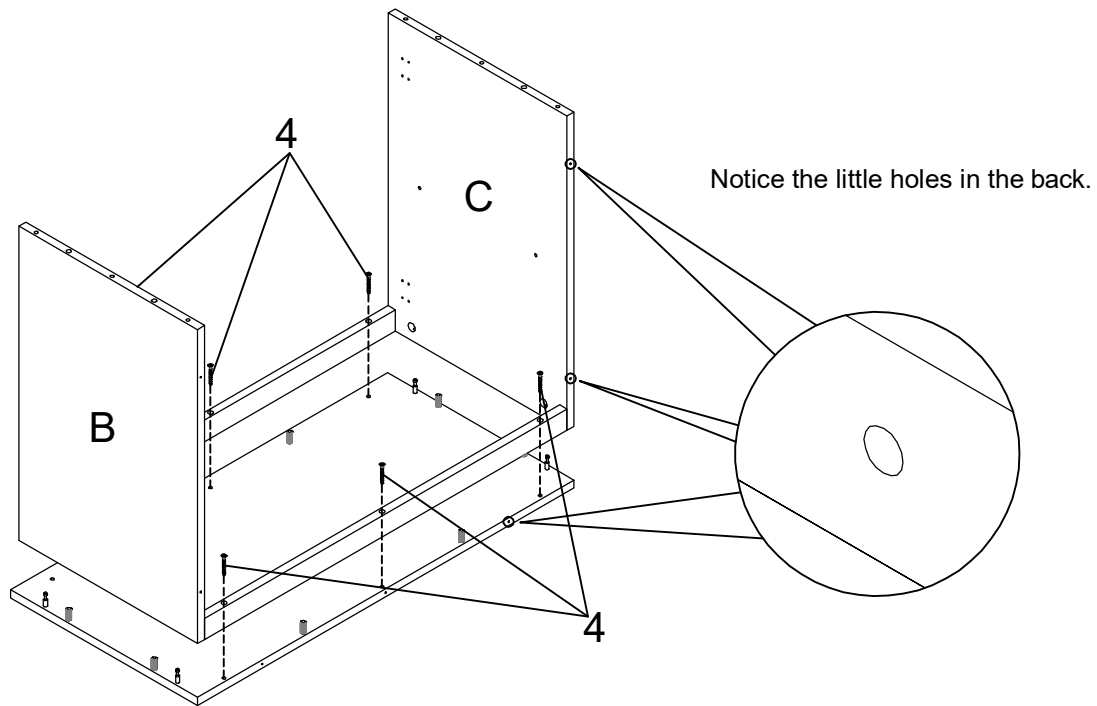
STEP 2



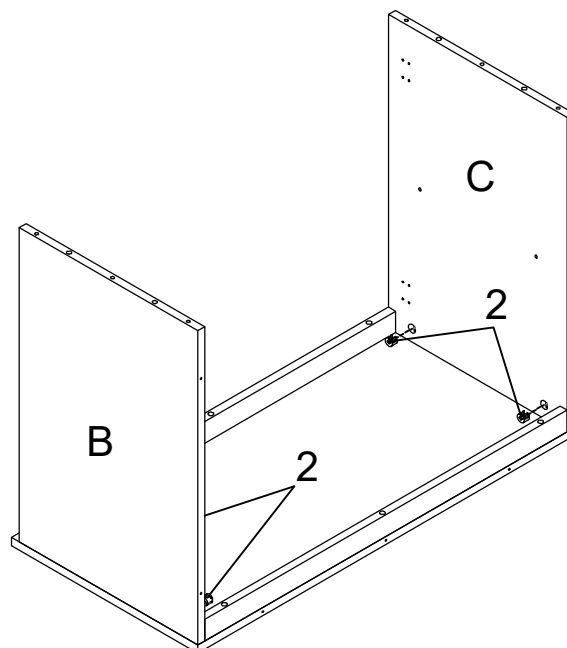
ITEM:950396

ASSEMBLY INSTRUCTIONS

STEP 3



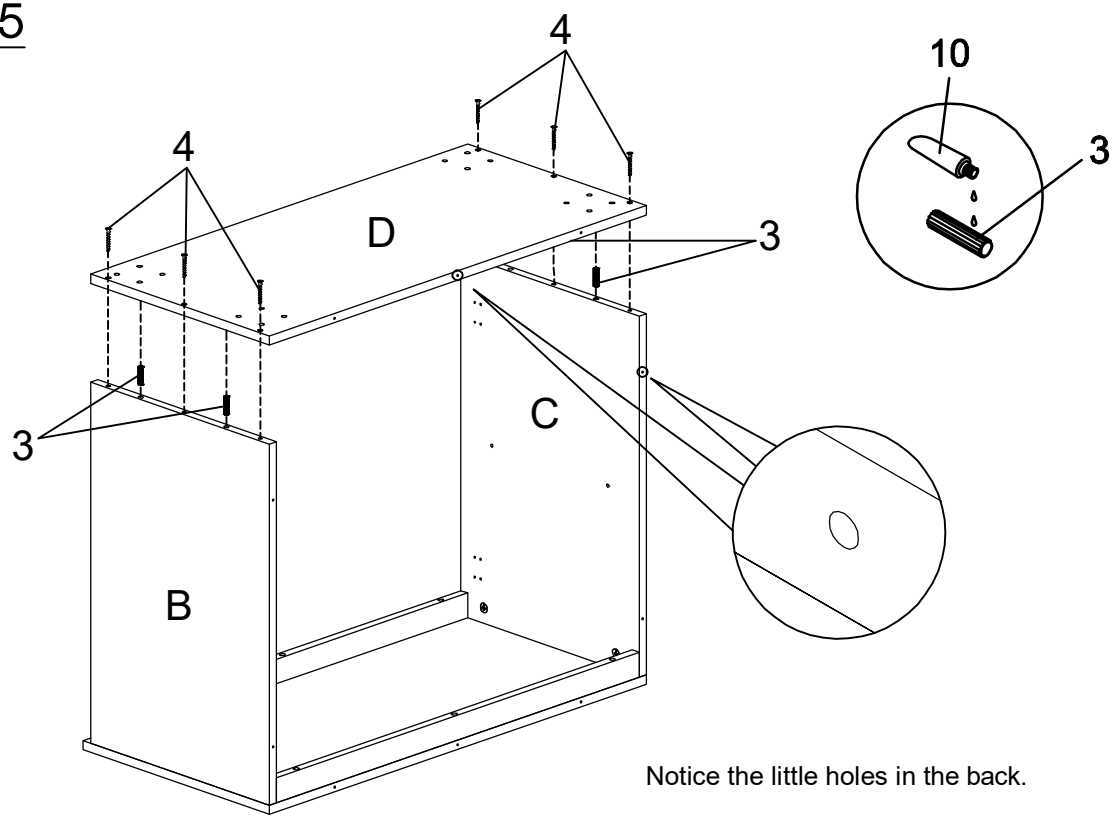
STEP 4



ITEM:950396 ASSEMBLY INSTRUCTIONS

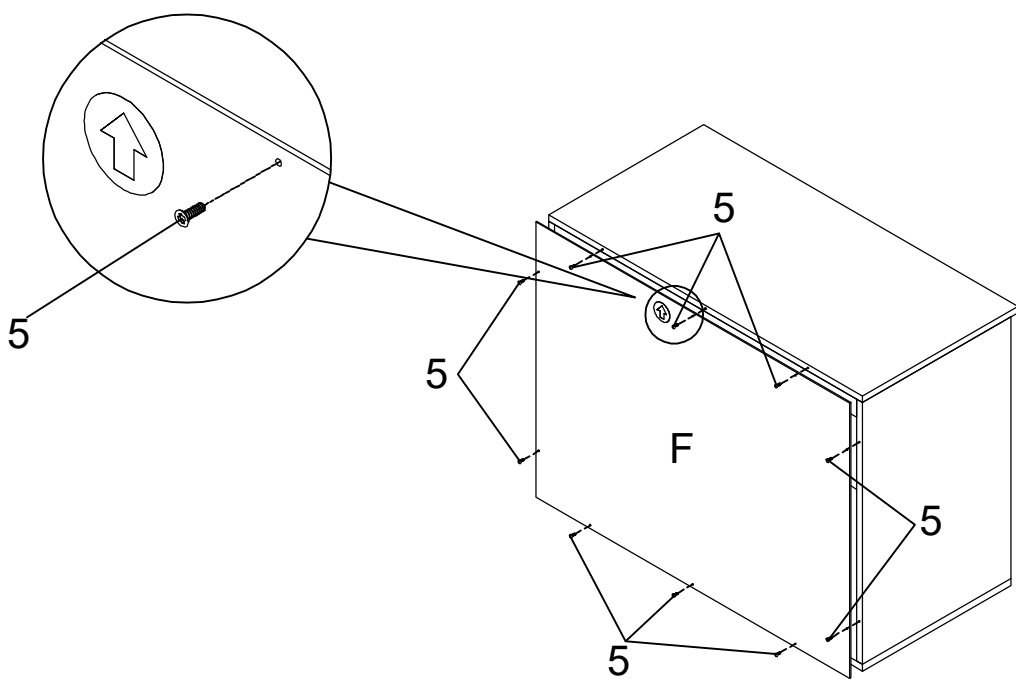


STEP 5



STEP 6

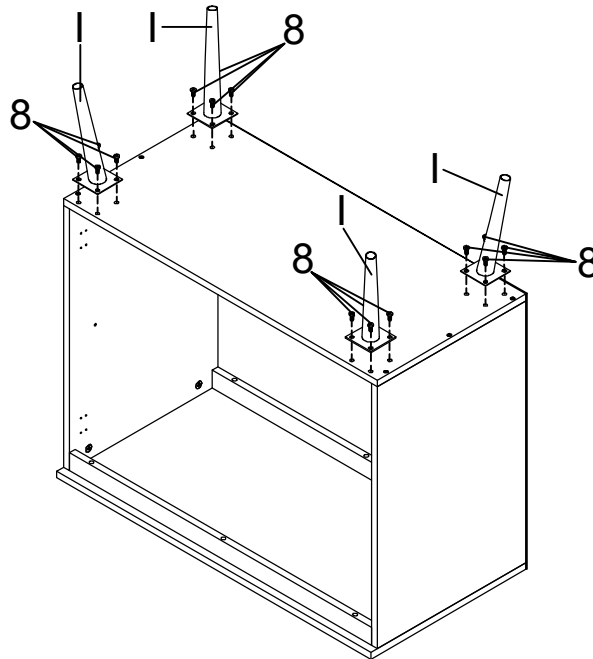
Please pay attention to the label here



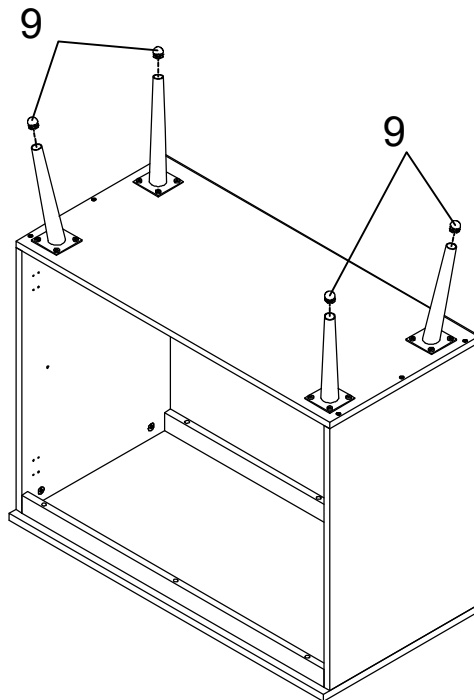
ITEM:950396

ASSEMBLY INSTRUCTIONS

STEP 7



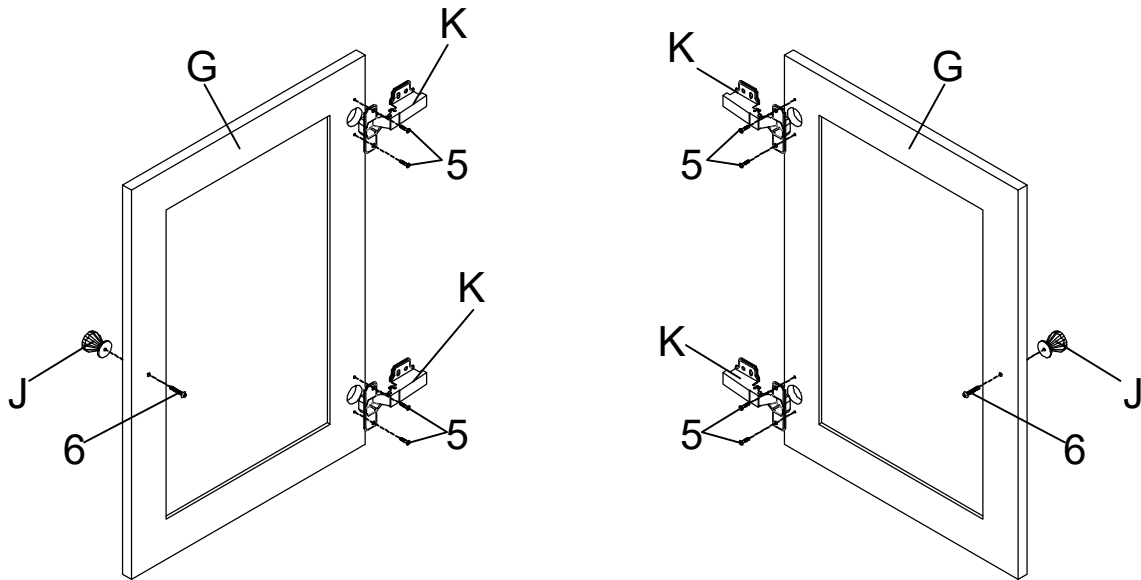
STEP 8



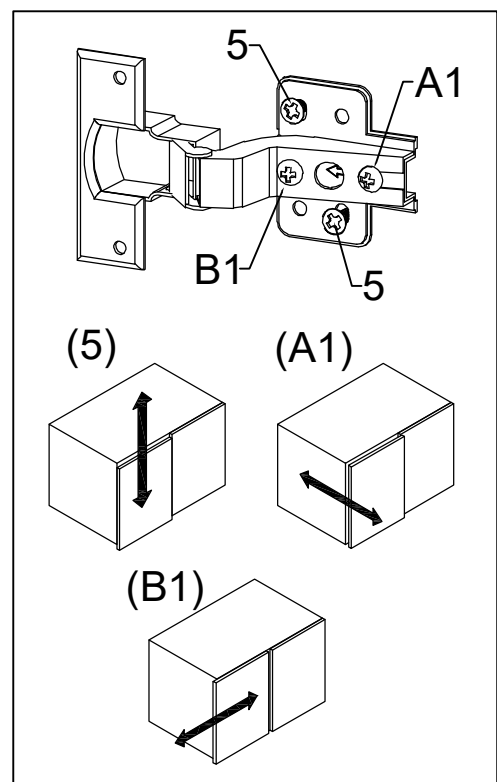
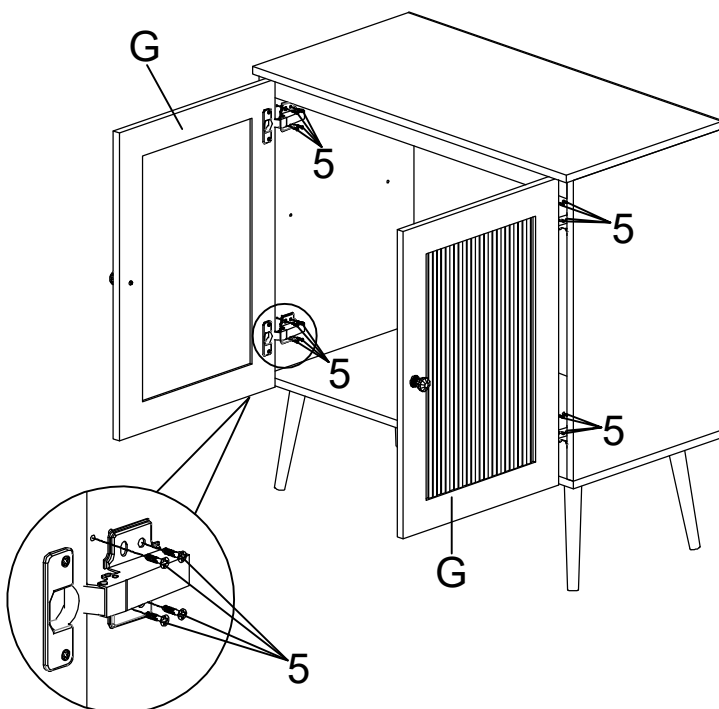
ITEM:950396

ASSEMBLY INSTRUCTIONS

STEP 9



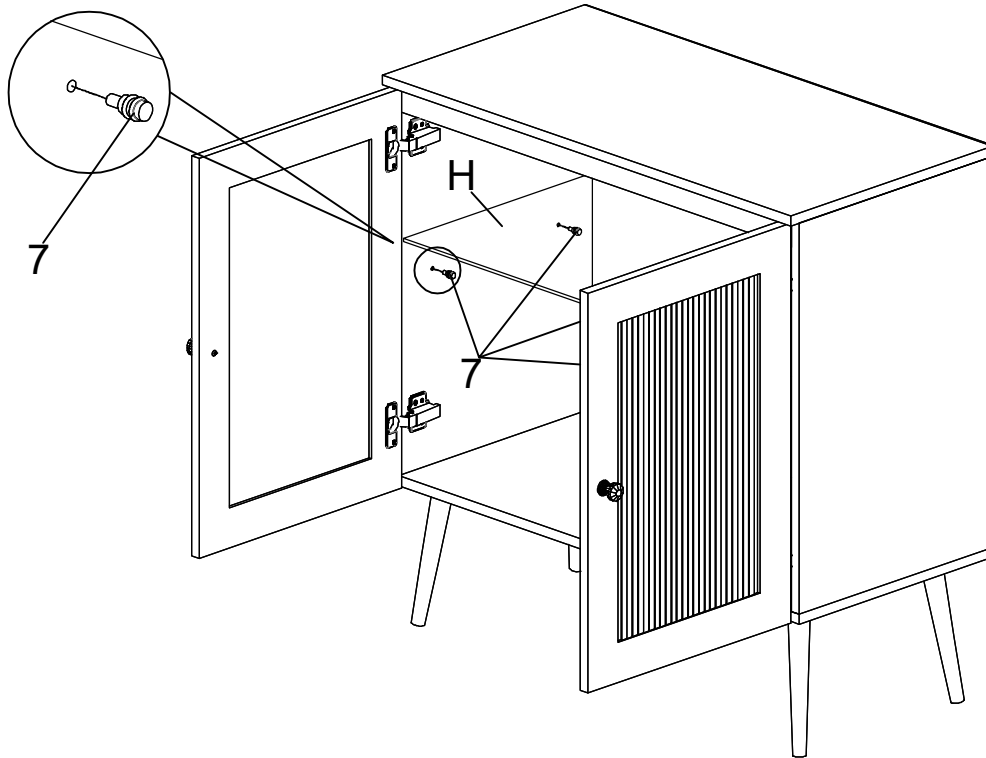
STEP 10



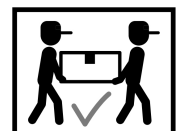
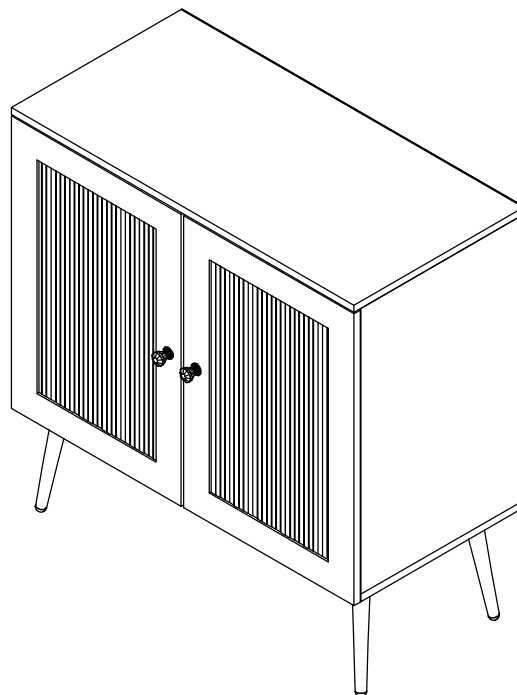
ITEM:950396

ASSEMBLY INSTRUCTIONS

STEP 11



STEP 12 COMPLETE



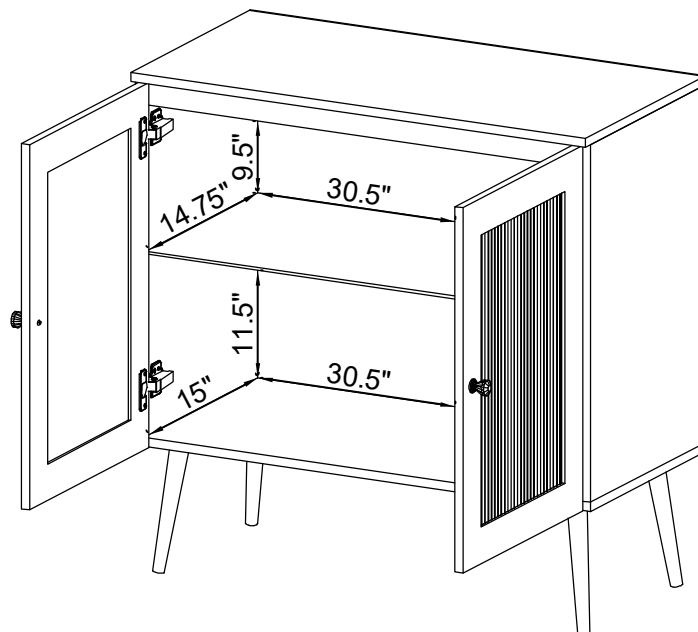
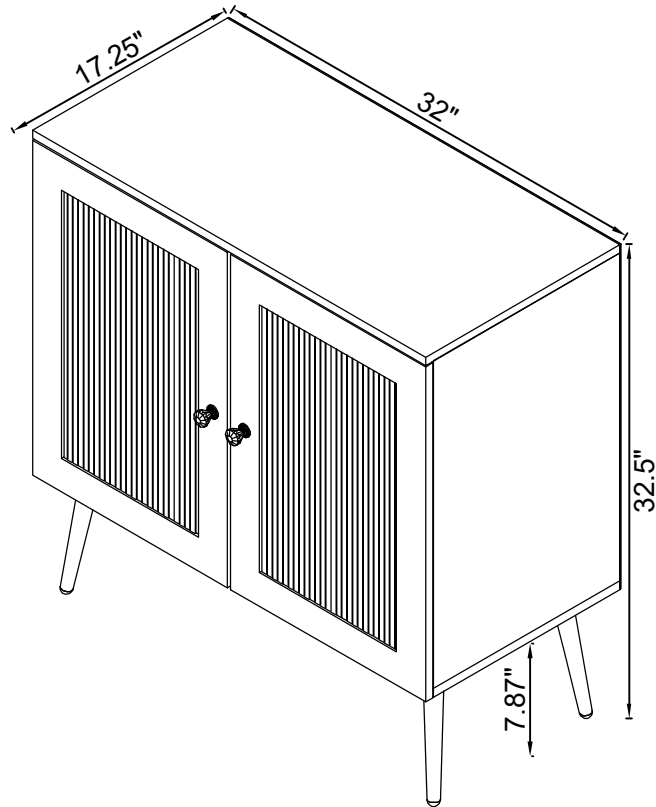
ITEM:950396

ASSEMBLY INSTRUCTIONS



Product Size : 813 X 438 X 819 H (MM)

Product Size : 32" X 17.25" X 32.25"



ITEM: **950396**



ANTI-TIPPING INSTALLMENT INSTRUCTIONS

FURNITURE TIPPING RESTRAINT

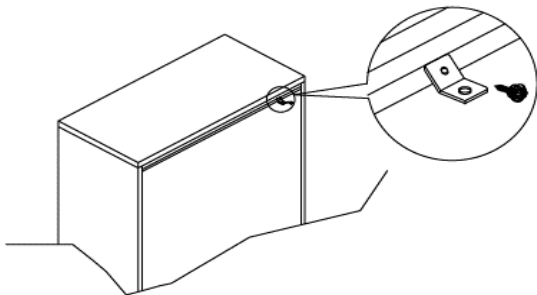
WARNING

Injury may result from tipping furniture.
This restraint may protect against tipping furniture.
Do not allow children to climb on furniture.
This restraint is not a substitute for proper adult supervision.
Failure to detach this restraint before moving the furniture may result in injury and damage.

This tip restraint must be attached to a wall stud using long screw enclosed.

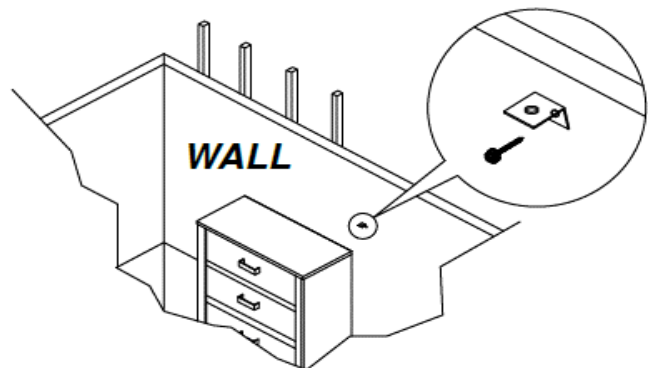
STEP 1

Attach a bracket securely to the back top rail of the furniture using short screw provided, through the smaller hole.



STEP 2

Locate the other bracket on the wall over a plastic wall stud and two inches below the mounting bracket secured to the back of the furniture. Attach the wall stud using the long screw provided, through the smaller hole.



STEP 3

Place the furniture into position so both mounting brackets are vertically in line. Lace the end of the restraint strap through the larger hole in each mounting bracket. Bring both ends together and slide the flat end through the locking end and draw it through until all slack is removed. Confirm that the strap is securely laced and locked.

