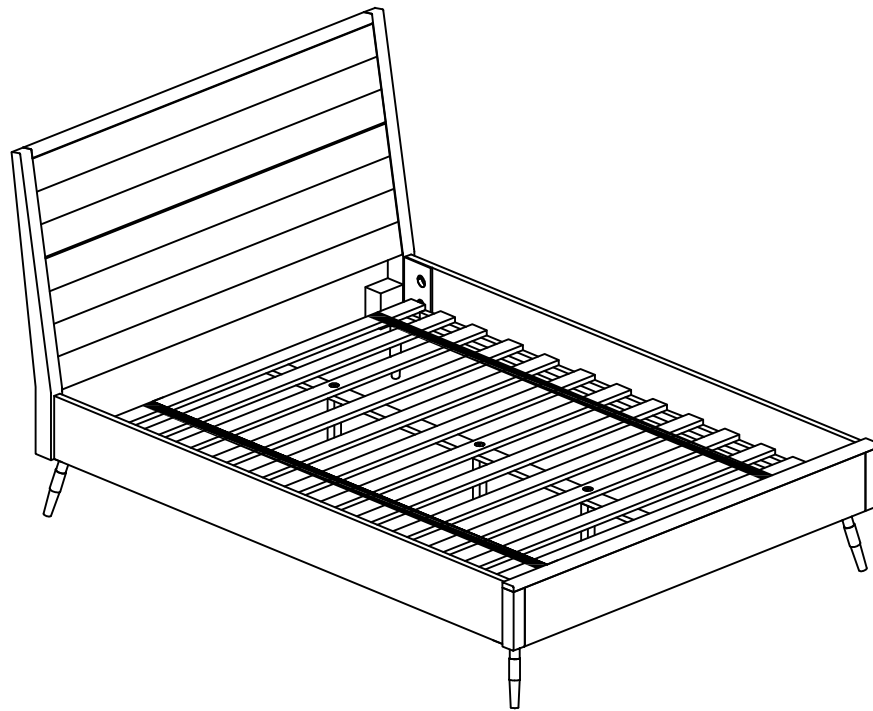


**ASSEMBLY INSTRUCTIONS**  
**COASTER FINE FURNITURE**



*Fine Furniture for every stage of life*

**215761Q (B1-B3)**  
***Queen Bed***

# ITEM: 215761Q (B1-B3)



## ASSEMBLY INSTRUCTIONS

### ASSEMBLY TIPS:

1. Remove hardware from box and sort by size.
2. Please check to see that all hardware and parts are present prior to start of assembly.
3. Please follow attached instructions in the same sequence as numbered to assure fast & easy assembly.



### WARNING!

1. Don't attempt to repair or modify parts that are broken or defective. Please contact the store immediately.
2. This product is for home use only and not intended for commercial establishments.

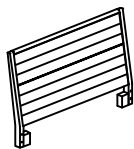
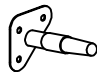


**ASSEMBLY**


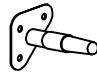
**20 MINUTES**

## PARTS IDENTIFICATION

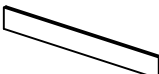
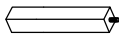
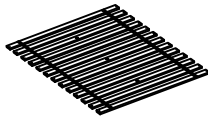

### B1 ( BOX 1 )

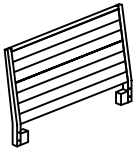
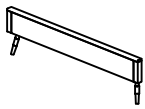
A	HEADBOARD PANEL		1PC		B	HEADBOARD LEG		2PCS
---	-----------------	---	-----	--	---	---------------	---	------

### B2 ( BOX 2 )

C	FOOTBOARD PANEL		1PC		D	FOOTBOARD LEG		2PCS
---	-----------------	---	-----	--	---	---------------	---	------

### B3 ( BOX 3 )

E	BED RAIL		2PCS		G	CENTER RAIL SUPPORT WITH LEVELER		3PCS
F	ROLL SLAT (13PCS)		1SET		H	CENTER RAIL		1PC

HB	215761Q (B1) FROM BOX 1 HEADBOARD COMPLETE		1PC		FB	215761Q (B2) FROM BOX 2 FOOTBOARD COMPLETE		1PC
----	---	---	-----	--	----	---	---	-----

# ITEM: 215761Q (B1-B3)



## ASSEMBLY INSTRUCTIONS

### ASSEMBLY TIPS:

1. Remove hardware from box and sort by size.
2. Please check to see that all hardware and parts are present prior to start of assembly.
3. Please follow attached instructions in the same sequence as numbered to assure fast & easy assembly.







### WARNING!





1. Don't attempt to repair or modify parts that are broken or defective. Please contact the store immediately.
2. This product is for home use only and not intended for commercial establishments.

## HARDWARE IDENTIFICATION






### Z-B1 (BOX 1) - HARDWARE PACK IS LOCATED IN 215761Q (B1)

1	<b>BOLT</b> (Ø5/16" x 25mm - RBW)		6PCS	3	<b>FLAT WASHER</b> (Ø5/16" x 19 x 2mm - RBW)		6PCS
2	<b>LOCK WASHER</b> (Ø5/16" x 14 x 2mm - RBW)		6PCS	4	<b>ALLEN WRENCH</b> (M4 x 58mm - RBW)		1PC

### Z-B2 (BOX 2) - HARDWARE PACK IS LOCATED IN 215761Q (B2)

5	<b>BOLT</b> (Ø5/16" x 25mm - RBW)		6PCS	7	<b>FLAT WASHER</b> (Ø5/16" x 19 x 2mm - RBW)		6PCS
6	<b>LOCK WASHER</b> (Ø5/16" x 14 x 2mm - RBW)		6PCS	8	<b>ALLEN WRENCH</b> (M4 x 58mm - RBW)		1PC

### Z-B3 (BOX 3) - HARDWARE PACK IS LOCATED IN 215761Q (B3)

9	<b>THREADED BOLT</b> (Ø5/16" x 80mm - RBW)		8PCS	12	<b>WRENCH</b> (M12 x 90mm - RBW)		1PC
10	<b>U-SQUARE WASHER</b> (Ø5/16" x 35 x 14mm - RBW)		8PCS	13	<b>PAN HEAD SCREW</b> (Ø8 x 30mm - RBW)		10PCS
11	<b>HEX NUT</b> (Ø5/16" x 12 x 18mm - RBW)		8PCS				

### NOTE:

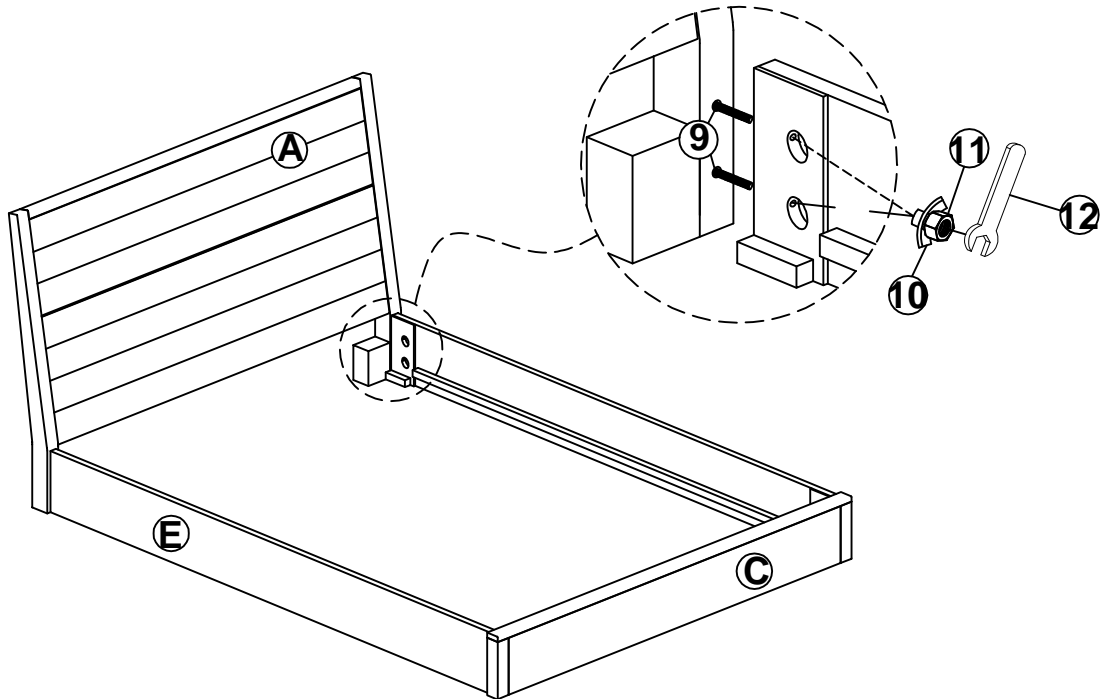
Phillips head screw driver is required in the assembly process; however, manufacturer does not provide this item.

ITEM: **215761Q (B1-B3)**

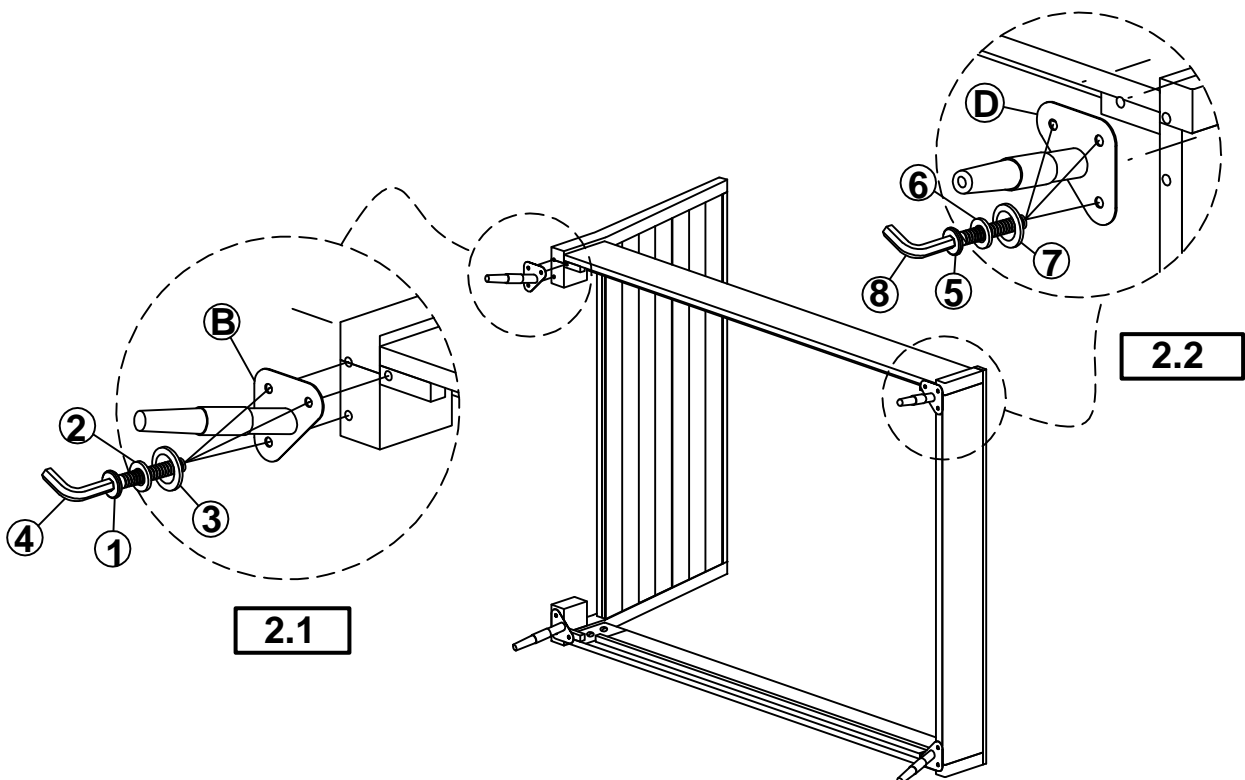


**ASSEMBLY INSTRUCTIONS**

**STEP 1**



**STEP 2**

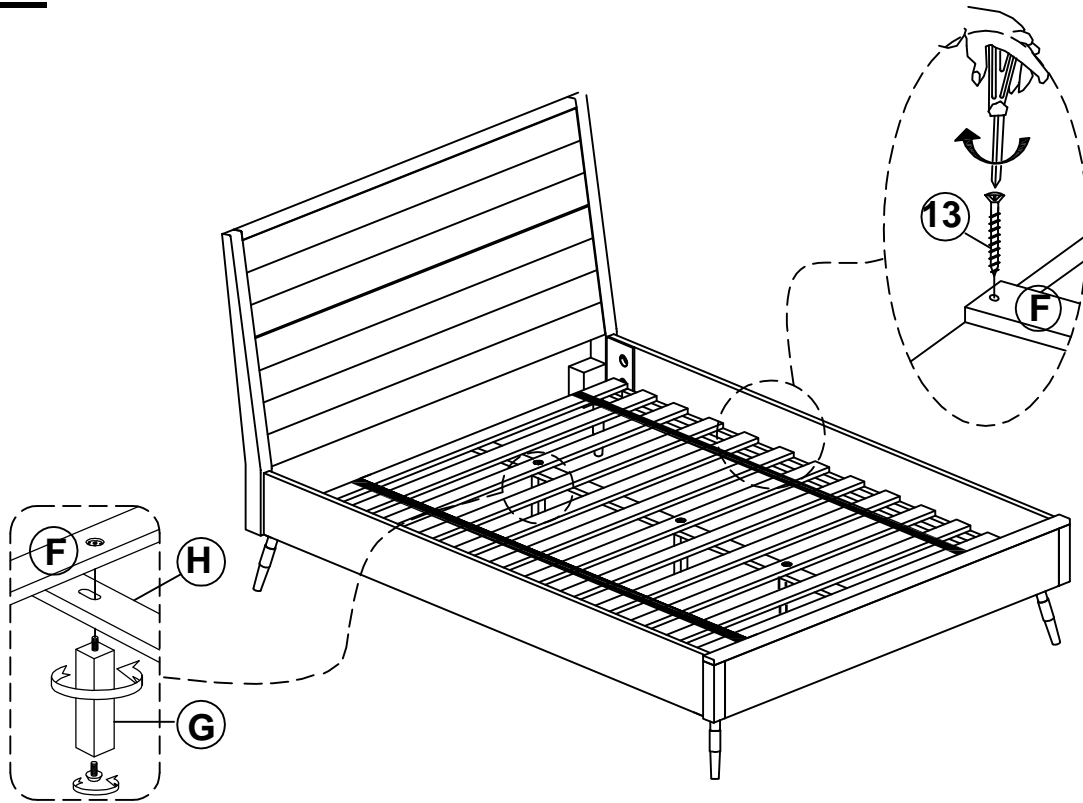


ITEM: **215761Q (B1-B3)**

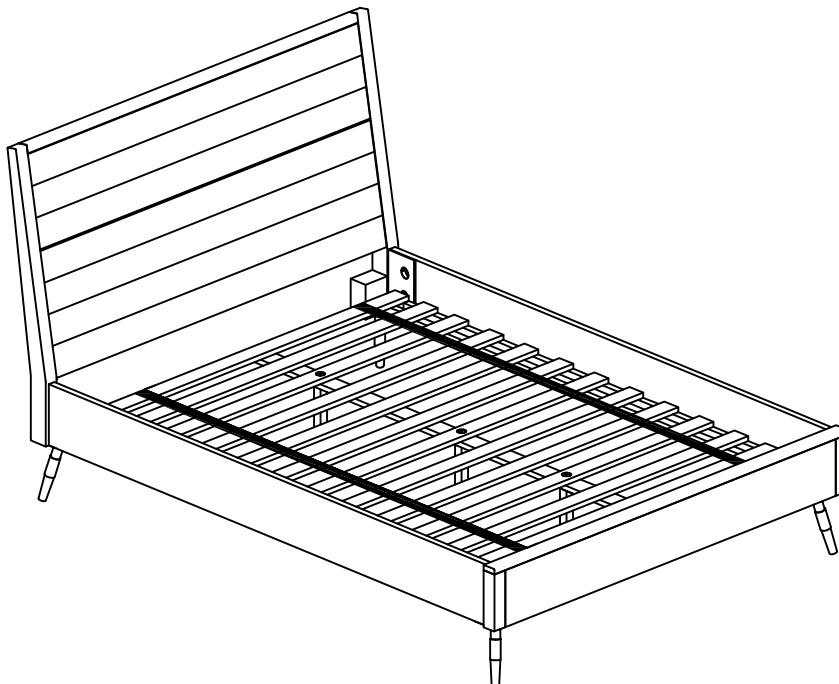


**ASSEMBLY INSTRUCTIONS**

**STEP 3**



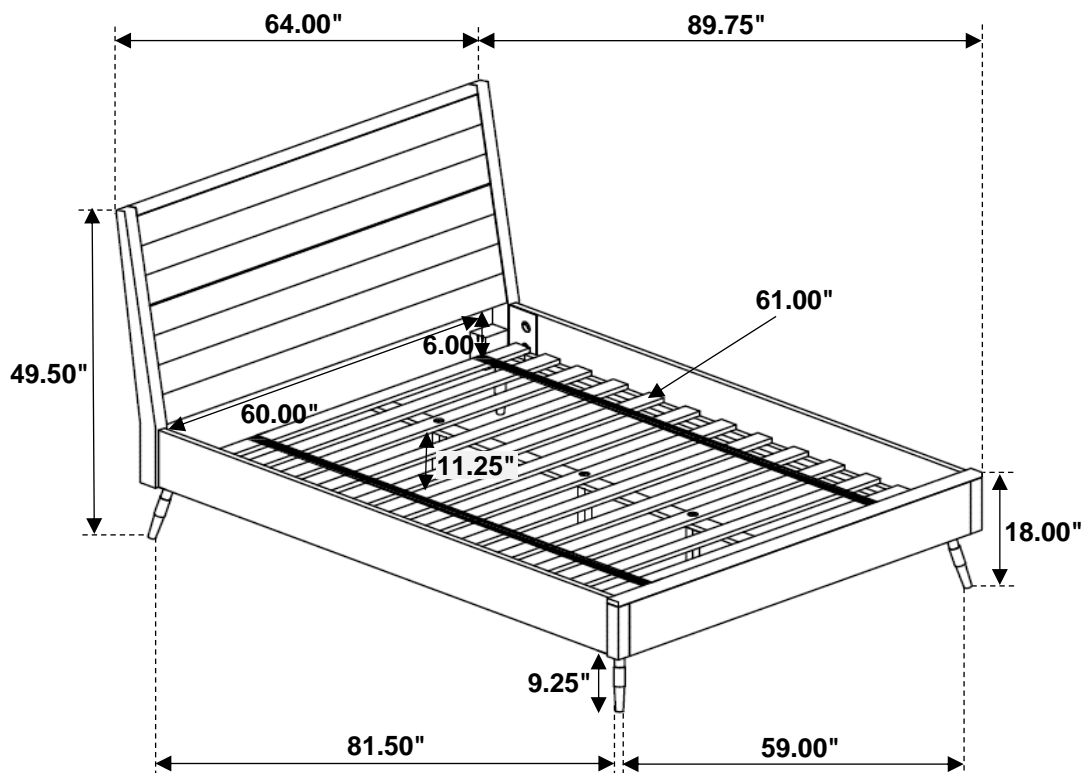
**STEP 4**  
**COMPLETE**



# ITEM: 215761Q (B1-B3)



Inner Size : 61.00"W x 81.00"D



Note: Dimension tolerance  $\pm 5\%$