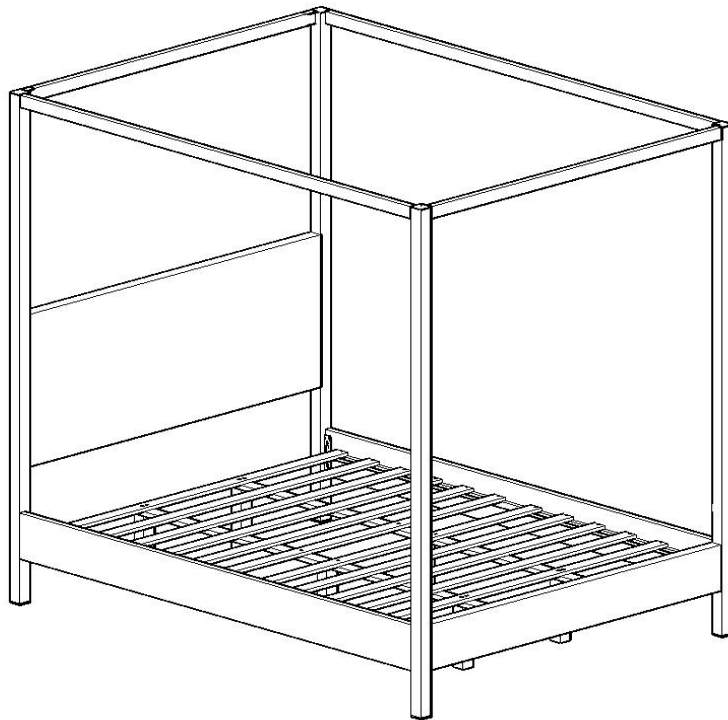


ASSEMBLY INSTRUCTIONS
COASTER FINE FURNITURE



Fine Furniture for every stage of life

300834KE(B1-B3)
Eastern King Bed

ITEM: 300834KE(B1-B3)



ASSEMBLY INSTRUCTIONS

ASSEMBLY TIPS:

1. Remove hardware from box and sort by size.
2. Please check to see that all hardware and parts are present prior to start of assembly.
3. Please follow attached instructions in the same sequence as numbered to assure fast & easy assembly.



WARNING!

1. Don't attempt to repair or modify parts that are broken or defective. Please contact the store immediately.
2. This product is for home use only and not intended for commercial establishments.



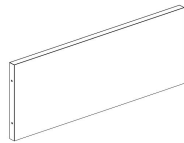
ASSEMBLY TIME

35 MINUTES

PARTS IDENTIFICATION

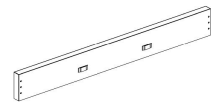
B1 (BOX 1)

A HEADBOARD
PANEL



1PC

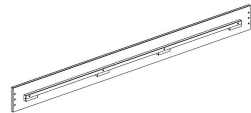
B FOOTBOARD
PANEL



1PC

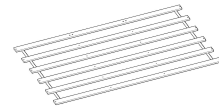
B2 (BOX 2)

C BED RAIL



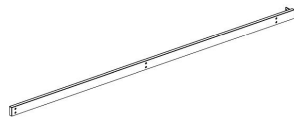
2PCS

E ROLL SLAT
(6PCS)



2SETS

D CENTER RAIL



2PCS

B3 (BOX 3)

F CENTER RAIL
SUPPORT WITH
LEVELLEL



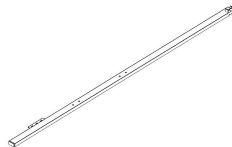
6PCS

J RIGHT FB POST



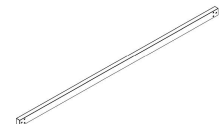
1PC

G LEFT HB POST



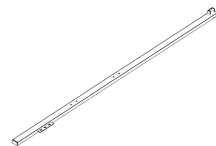
1PC

K UPPER FRONT
RAIL



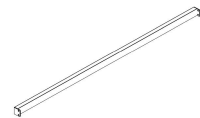
1PC

H RIGHT HB POST



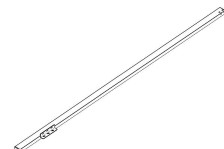
1PC

L UPPER BACK
RAIL



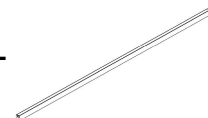
1PC

I LEFT FB POST



1PC

M UPPER SIDE RAIL



2PCS

ITEM: 300834KE(B1-B3)



ASSEMBLY INSTRUCTIONS

ASSEMBLY TIPS:

1. Remove hardware from box and sort by size.
2. Please check to see that all hardware and parts are present prior to start of assembly.
3. Please follow attached instructions in the same sequence as numbered to assure fast & easy assembly.







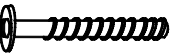





WARNING!

1. Don't attempt to repair or modify parts that are broken or defective. Please contact the store immediately.
2. This product is for home use only and not intended for commercial establishments.

HARDWARE IDENTIFICATION

Z-B3 (BOX 3) - HARDWARE PACK IS LOCATED IN 300834KE (B3)

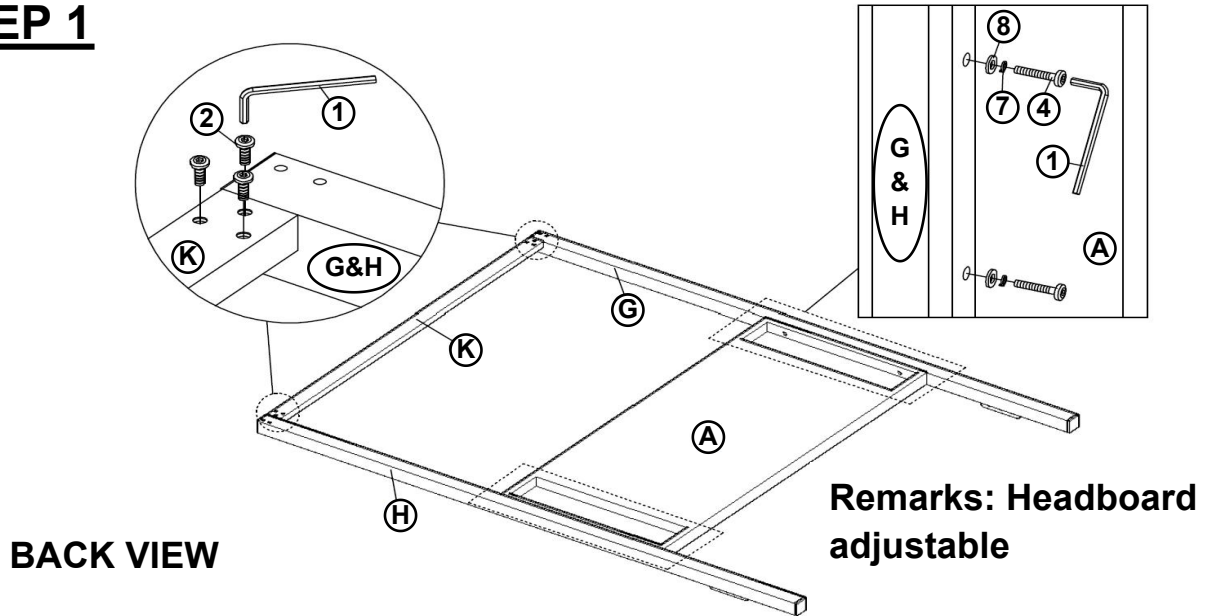
1	ALLEN WRENCH (M4 x 55mm - BLK)		1PC	8	FLAT WASHER (M6 - BLK)		22PCS
2	BOLT 1 (M6 x 16mm - BLK)		26PCS	9	SHORT FLAT HEAD SCREW (M3.5 x 20mm - BLK)		2PCS
3	BOLT 2 (M6 x 20mm - BLK)		6PCS	10	LONG FLAT HEAD SCREW (M4 x 25mm - BLK)		24PCS
4	BOLT 3 (M6 x 40mm - BLK)		4PCS				
5	BOLT 4 (M6 x 50mm - BLK)		12PCS				
6	BOLT 5 (M6 x 65mm - BLK)		4PCS				
7	LOCK WASHER (M6 - BLK)		22PCS				

NOTE:

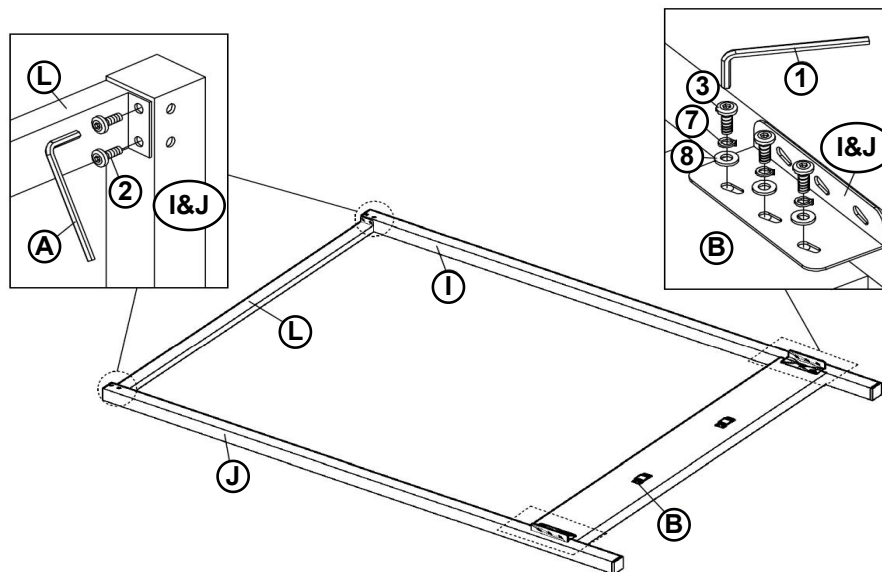
Phillips head screw driver is required in the assembly process; however, manufacturer does not provide this item.

ASSEMBLY INSTRUCTIONS

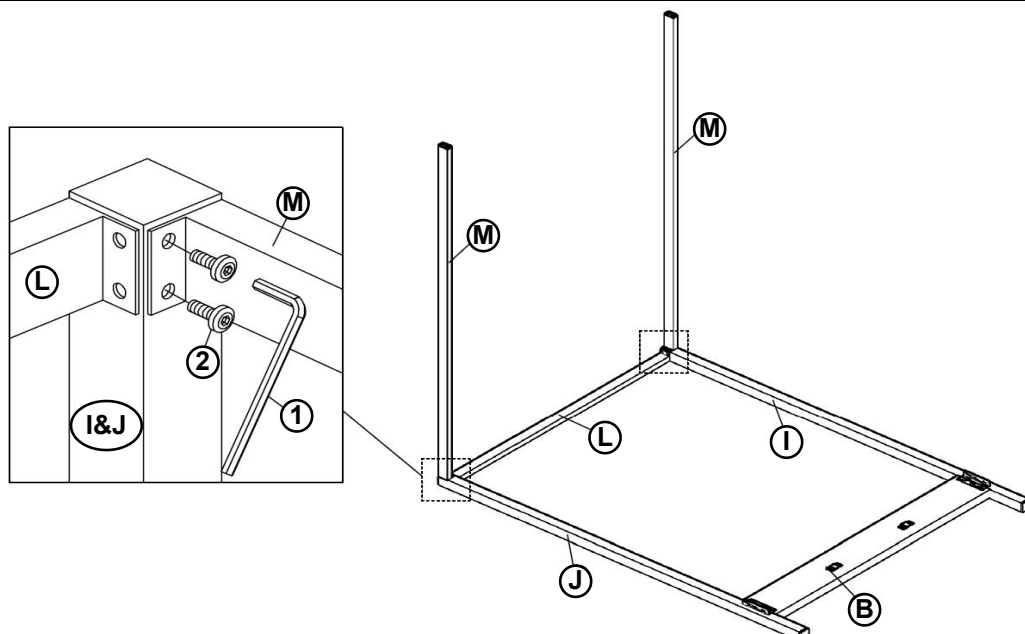
STEP 1



STEP 2



STEP 3

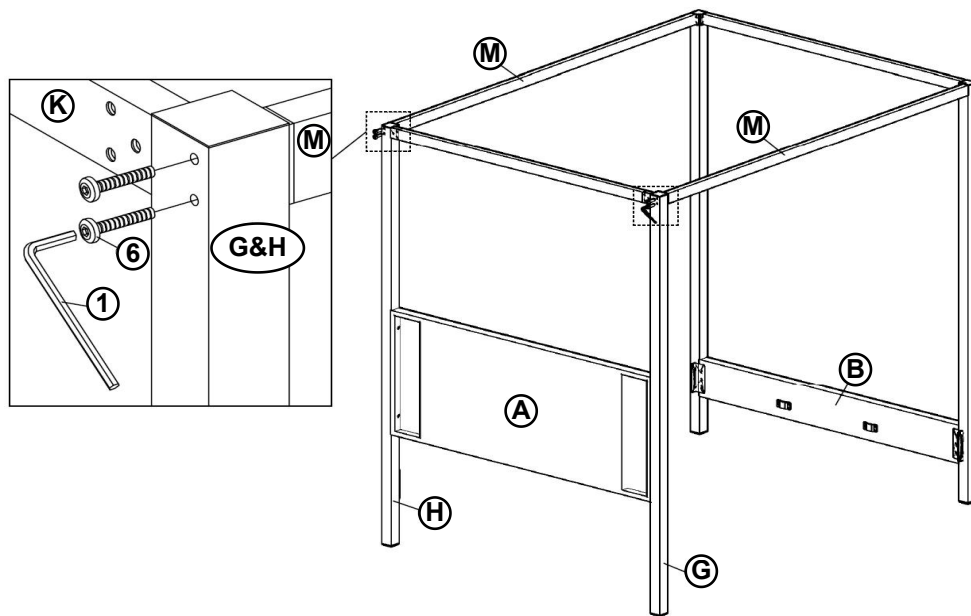


ITEM: 300834KE(B1-B3)

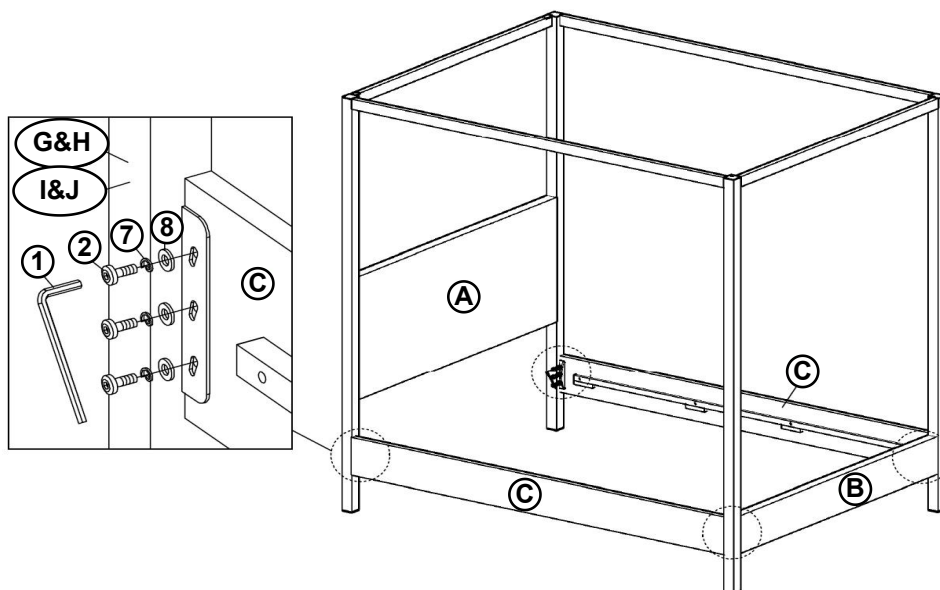


ASSEMBLY INSTRUCTIONS

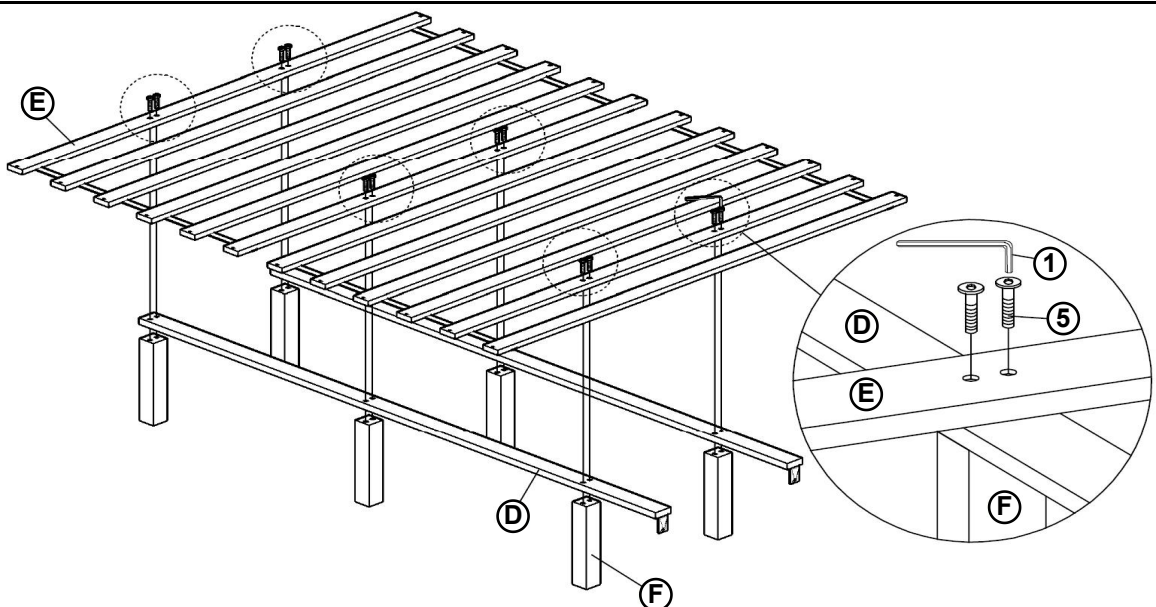
STEP 4



STEP 5



STEP 6

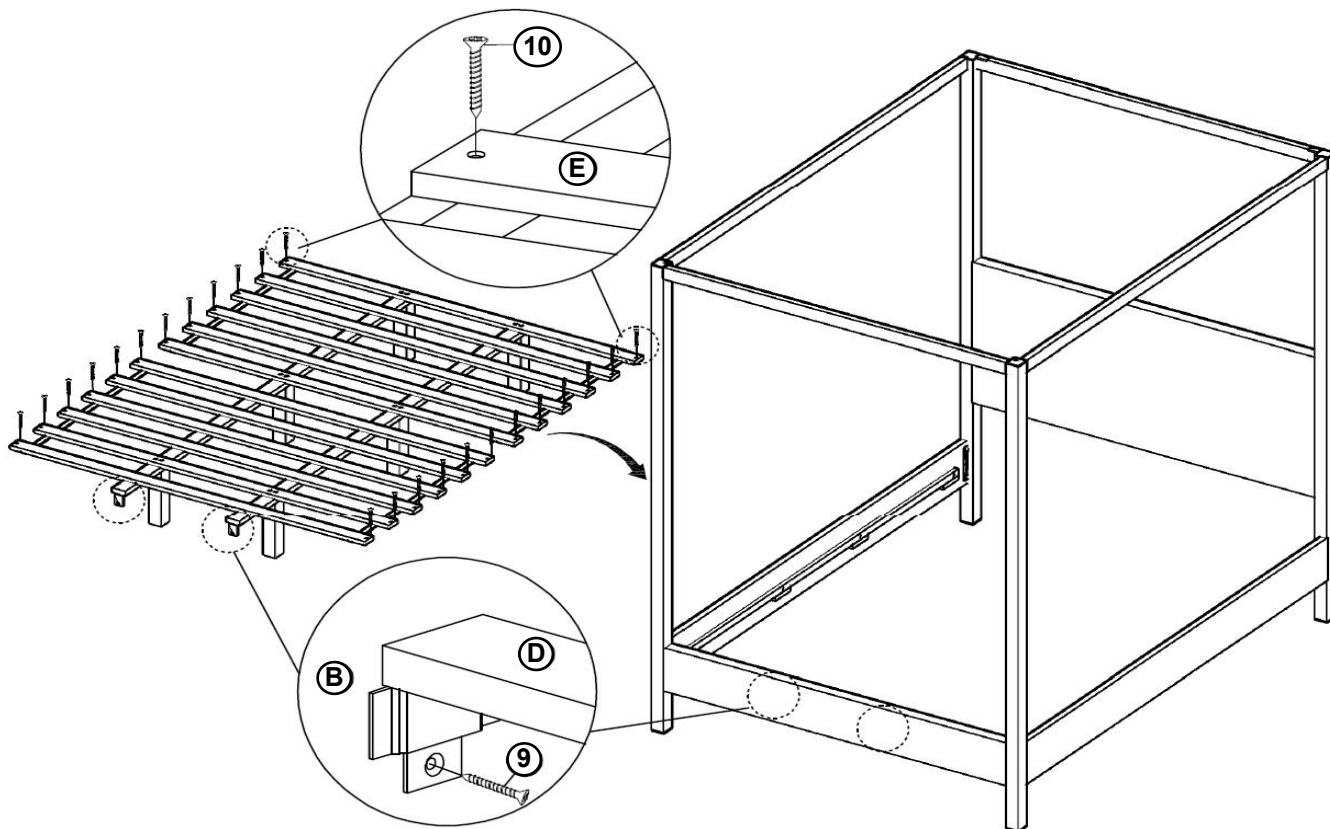


ITEM: **300834KE(B1-B3)**



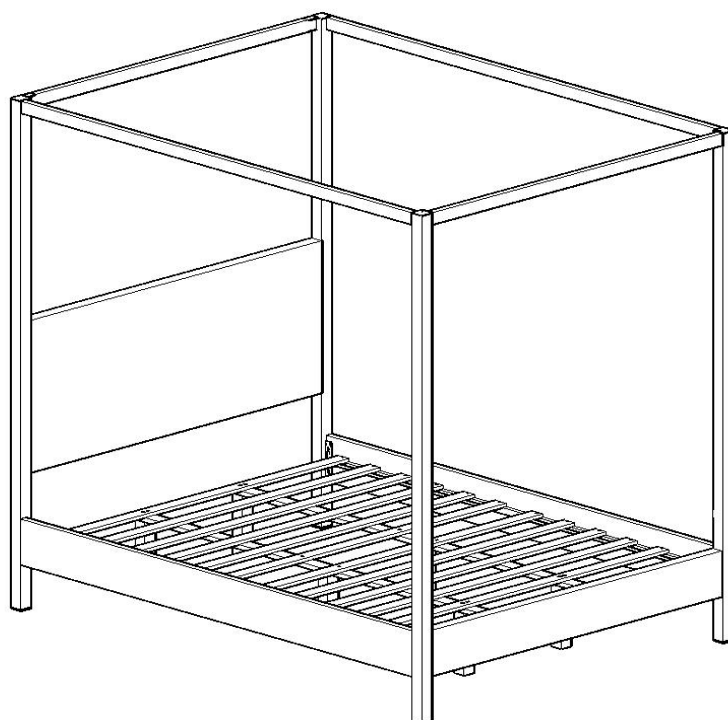
ASSEMBLY INSTRUCTIONS

STEP 7



STEP 8

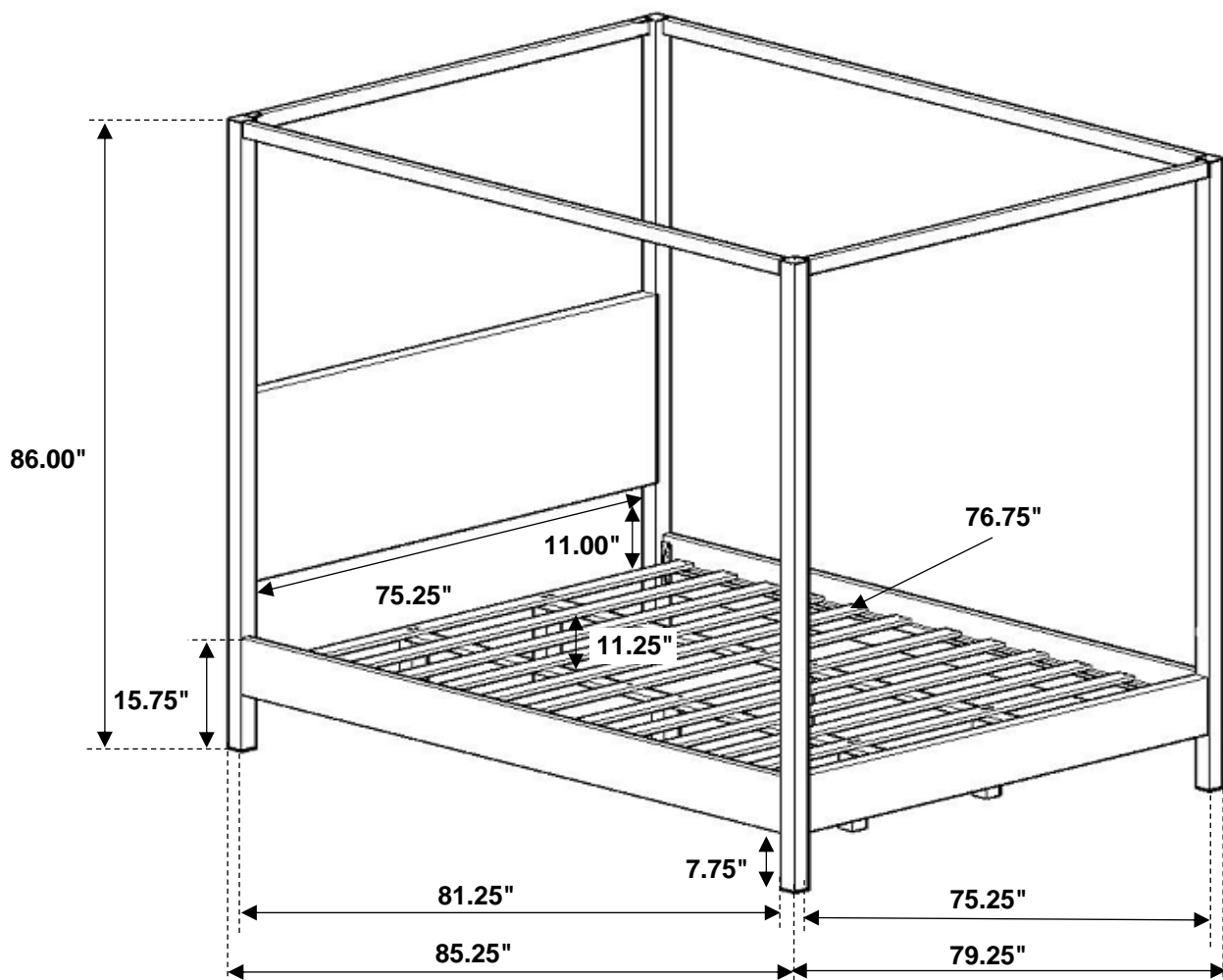
COMPLETE



ITEM: **300834KE(B1-B3)**



Inner Size : 76.75"W X 81.25"D



Note : Dimension tolerance $\pm 5\%$