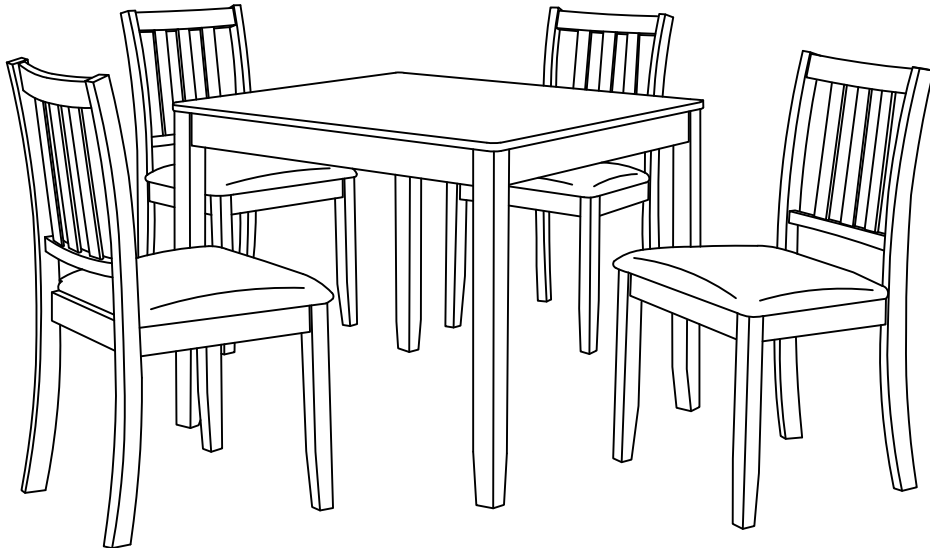




ASSEMBLY INSTRUCTIONS

COASTER FINE FURNITURE



Fine Furniture for every stage of life

150400
5Pc Dining Set

ITEM: **150400**



ASSEMBLY INSTRUCTIONS

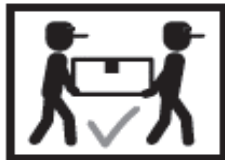
ASSEMBLY TIPS:

1. Remove hardware from box and sort by size.
2. Please check to see that all hardware and parts are present prior to start of assembly.
3. Please follow attached instructions in the same sequence as numbered to assure fast & easy assembly.



WARNING!

1. Don't attempt to repair or modify parts that are broken or defective. Please contact the store immediately.
2. This product is for home use only and not intended for commercial establishments.

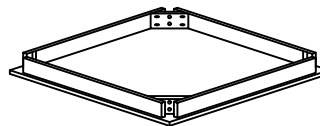


ASSEMBLY TIME

45 MINUTES

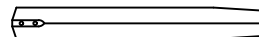
PARTS IDENTIFICATION

A TABLE TOP



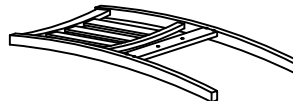
1PC

B TABLE LEG



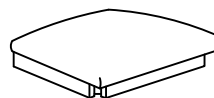
4PCS

C CHAIR BACK FRAME



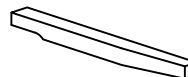
4PCS

D CHAIR SEAT CUSHION WITH FRAME



4PCS

E CHAIR FRONT LEG



8PCS

ITEM: 150400

ASSEMBLY INSTRUCTIONS

ASSEMBLY TIPS:

1. Remove hardware from box and sort by size.
2. Please check to see that all hardware and parts are present prior to start of assembly.
3. Please follow attached instructions in the same sequence as numbered to assure fast & easy assembly.







WARNING!







1. Don't attempt to repair or modify parts that are broken or defective. Please contact the store immediately.
2. This product is for home use only and not intended for commercial establishments.

HARDWARE IDENTIFICATION

TABLE

1	BOLT (M8 x 70mm - RBW)		8PCS
2	LOCK WASHER (M8 x 13mm - RBW)		8PCS
3	FLAT WASHER (M8 x 22mm - RBW)		8PCS
4	ALLEN WRENCH (M5 x 65mm - BLK)		1PC

CHAIR

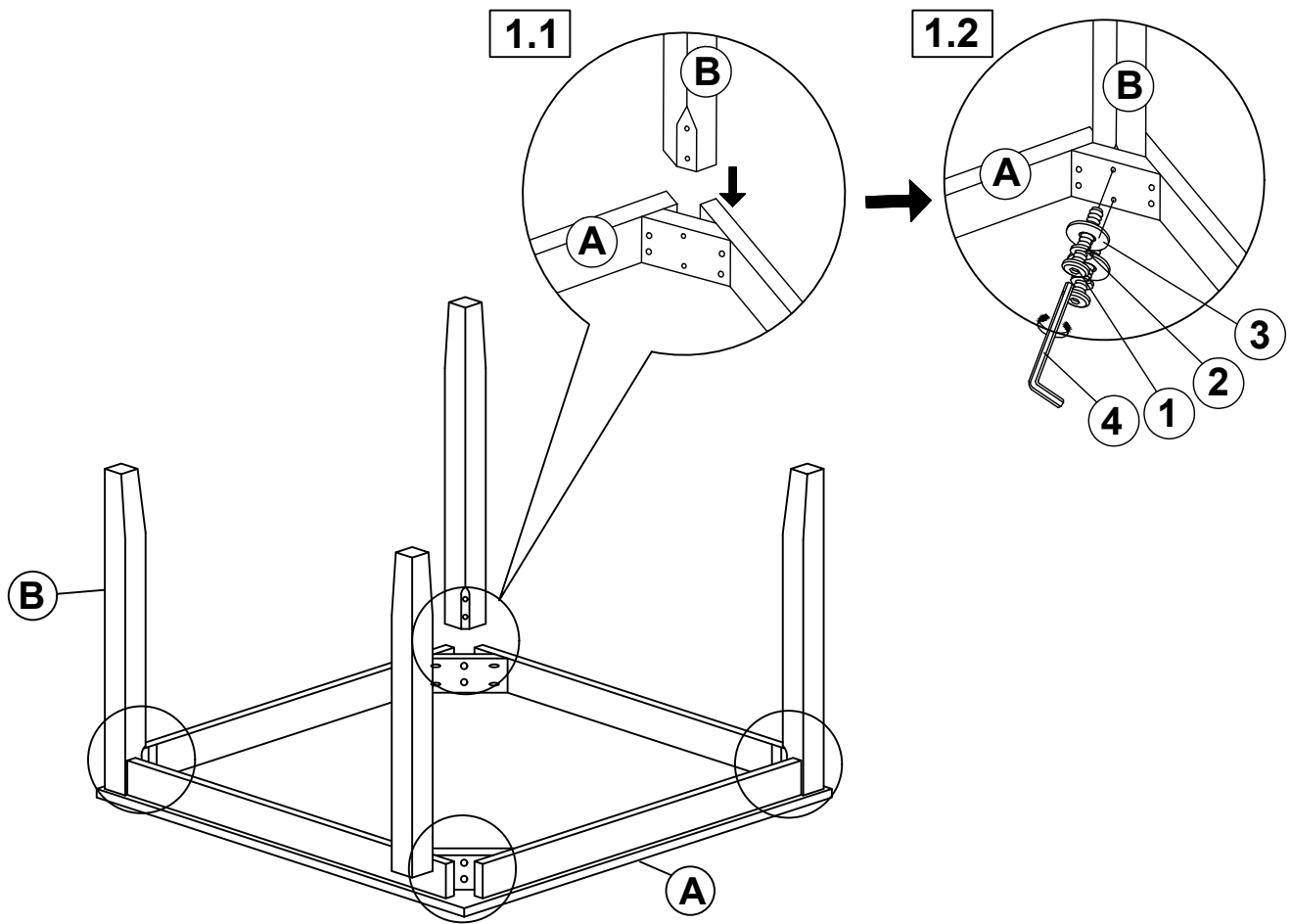
5	SHORT BOLT (M6 x 35mm - RBW)		8PCS
6	MEDIUM BOLT (M6 x 60mm - RBW)		16PCS
7	LONG BOLT (M6 x 80mm - RBW)		16PCS
8	LOCK WASHER (M6 x 12mm - RBW)		40PCS
9	FLAT WASHER (M6 x 19mm - RBW)		40PCS
10	ALLEN WRENCH (M4 x 100mm - BLK)		1PC

ITEM: **150400**

ASSEMBLY INSTRUCTIONS

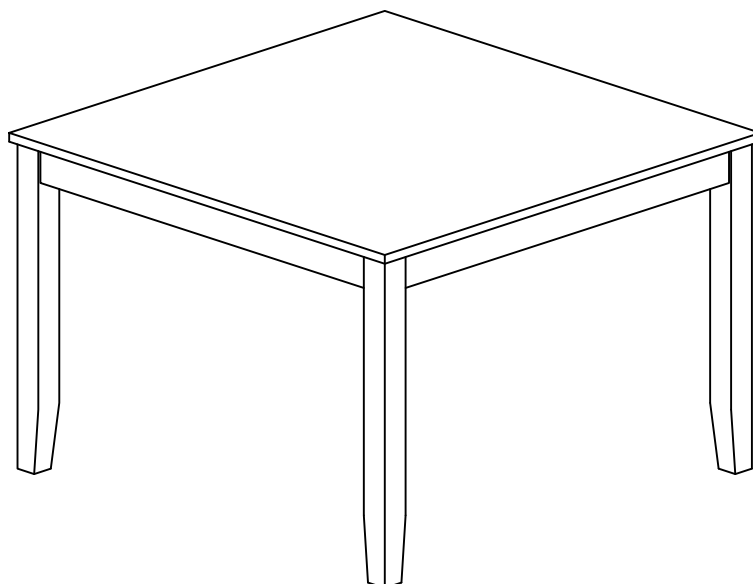


STEP 1



STEP 2

COMPLETE

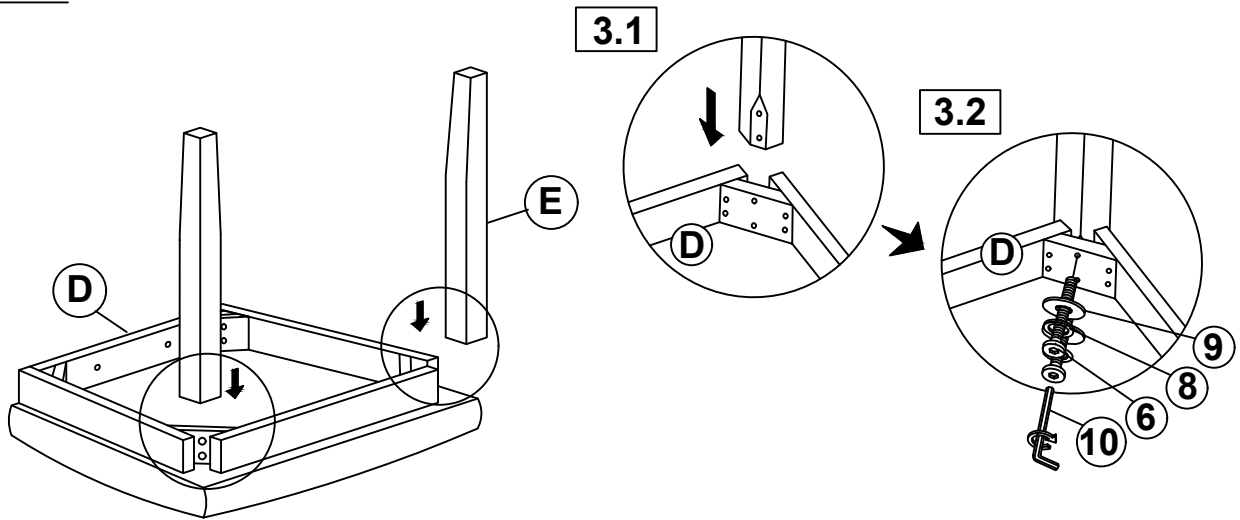


ITEM: **150400**

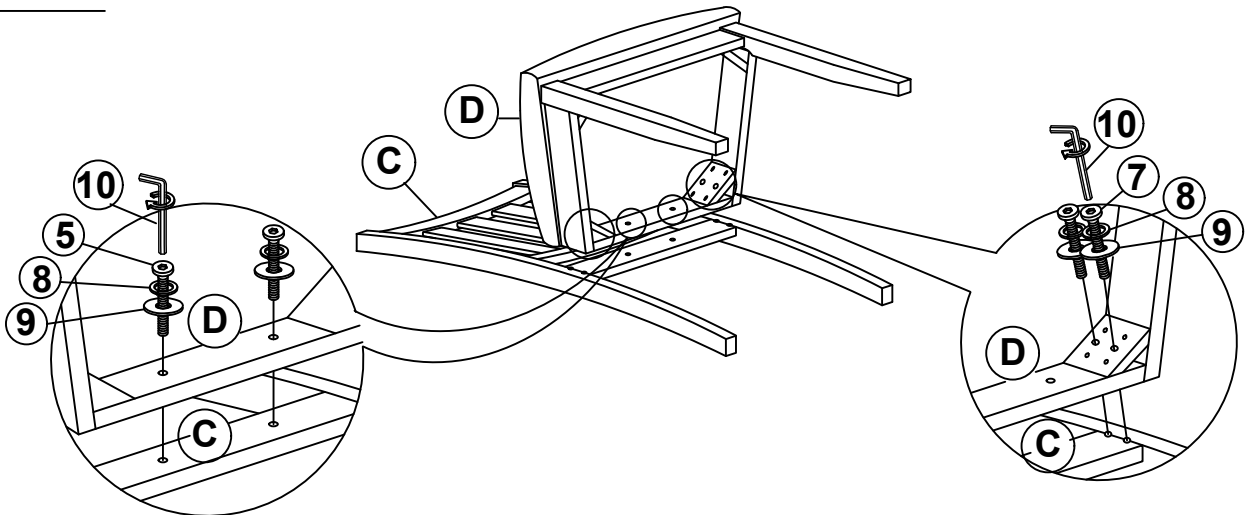
ASSEMBLY INSTRUCTIONS



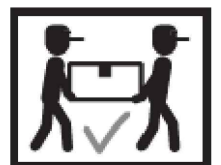
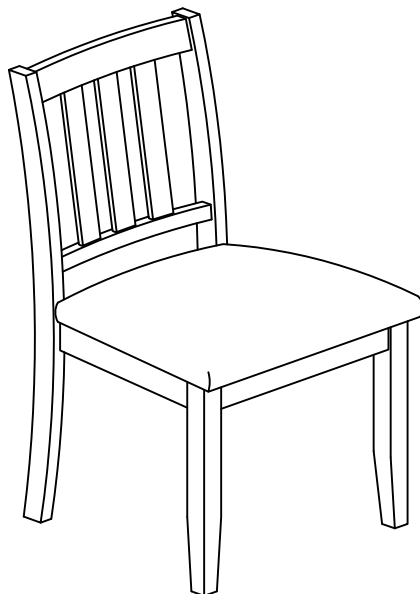
STEP 3



STEP 4

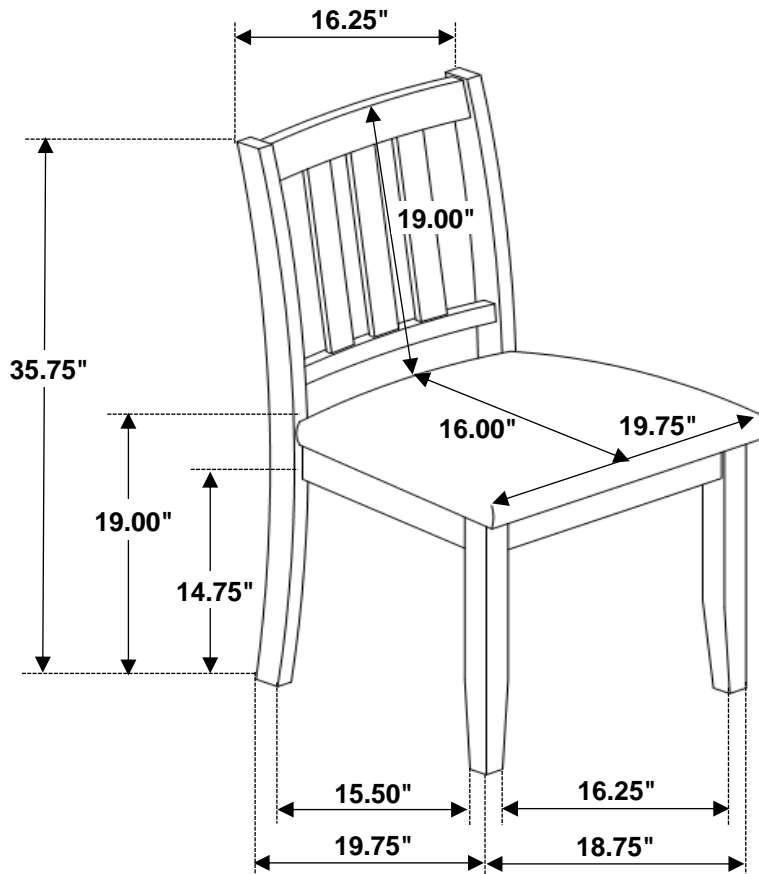
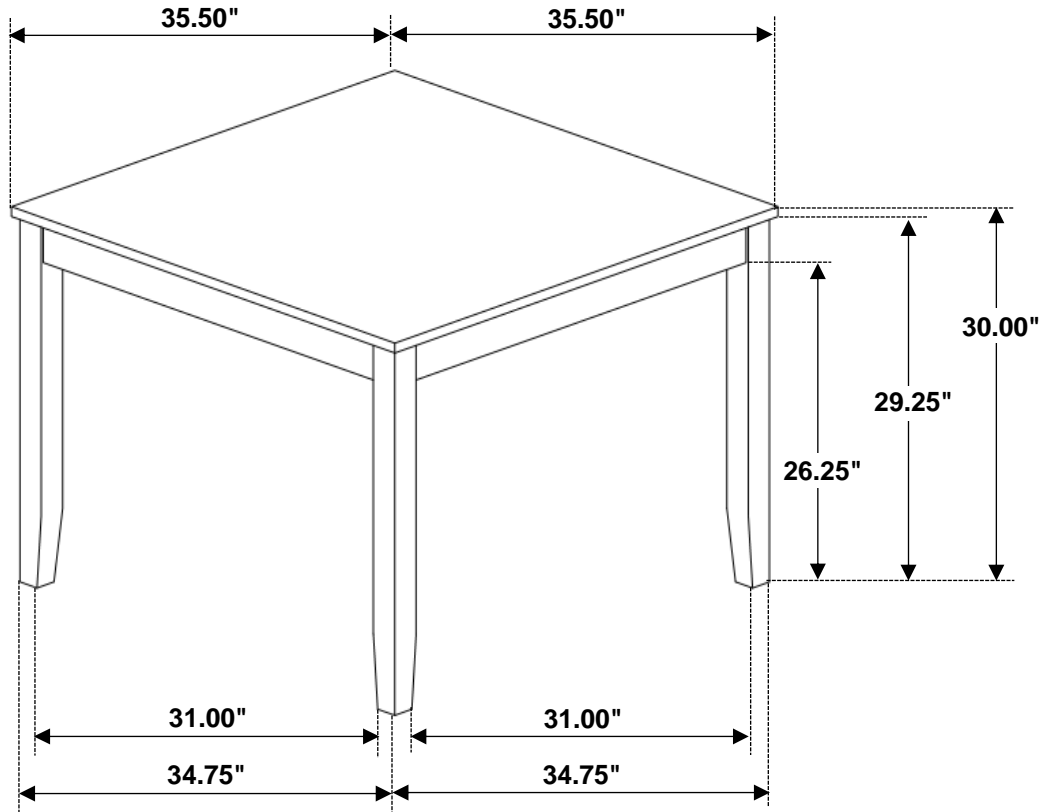


STEP 5
COMPLETE



ITEM: 150400

COASTER
FINE FURNITURE



Note: Dimension tolerance $\pm 5\%$

COASTERFURNITURE.COM