

**ASSEMBLY INSTRUCTIONS**  
**COASTER FINE FURNITURE**



*Fine Furniture for every stage of life*

**108241(B1&B2)**  
**Dining Table**

# ITEM: 108241 (B1&B2)



## ASSEMBLY INSTRUCTIONS

### ASSEMBLY TIPS:

1. Remove hardware from box and sort by size.
2. Please check to see that all hardware and parts are present prior to start of assembly.
3. Please follow attached instructions in the same sequence as numbered to assure fast & easy assembly.



### WARNING!

1. Don't attempt to repair or modify parts that are broken or defective. Please contact the store immediately.
2. This product is for home use only and not intended for commercial establishments.



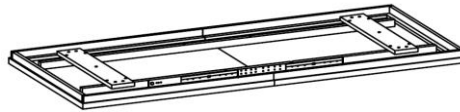
ASSEMBLY TIME

40 MINUTES

## PARTS IDENTIFICATION

### B1 (BOX 1)

A TOP



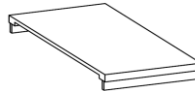
1PC

B TRESTLE BAR



1PC

C LEAF



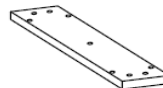
1PC

D LEAF SUPPORT



2PCS

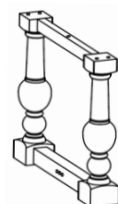
E MOUNTING PLATE  
(PRE-ATTACHED TO #A)



2PCS

### B2 (BOX 2)

F LEG FRAME



2PCS

# ITEM: 108241 (B1&B2)

## ASSEMBLY INSTRUCTIONS

### ASSEMBLY TIPS:

1. Remove hardware from box and sort by size.
2. Please check to see that all hardware and parts are present prior to start of assembly.
3. Please follow attached instructions in the same sequence as numbered to assure fast & easy assembly.


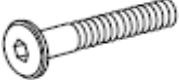









### WARNING!

1. Don't attempt to repair or modify parts that are broken or defective. Please contact the store immediately.
2. This product is for home use only and not intended for commercial establishments.

## HARDWARE IDENTIFICATION

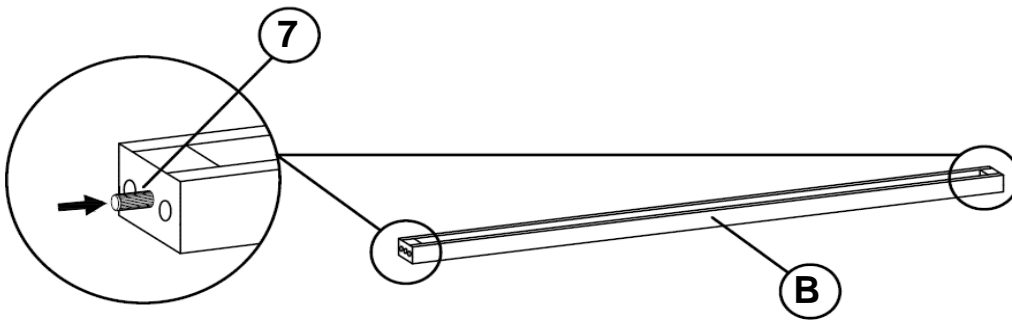
### Z-B1 (BOX 1) - HARDWARE PACK IS LOCATED IN 108241 (B1)

1	<b>ALLEN WRENCH</b> (M4 - BLK)		1PC
2	<b>SHORT BOLT</b> (M6 x 40mm - RBW)		10PCS
3	<b>MEDIUM BOLT</b> (M6 x 70mm - RBW)		4PCS
4	<b>LONG BOLT</b> (M6 x 90mm - RBW)		4PCS
5	<b>LOCK WASHER</b> (M6 - RBW)		18PCS
6	<b>FLAT WASHER</b> (M6 - RBW)		14PCS
7	<b>PLASTIC DOWEL</b> (M8 x 30mm - BLK)		2PCS
8	<b>WOOD KNOB</b>		4PCS
9	<b>PVC TUBE</b> (M12 x45mm)		4PCS

# ITEM: 108241 (B1&B2)

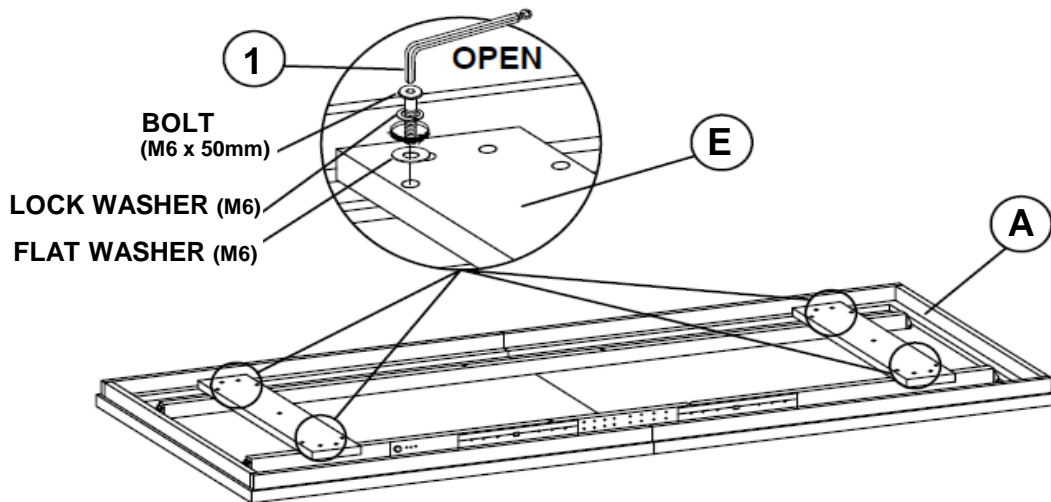
## ASSEMBLY INSTRUCTIONS

### STEP 1

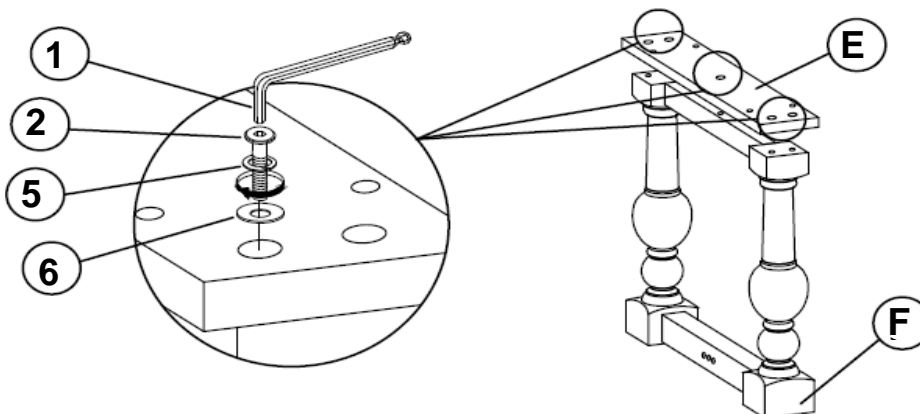


### STEP 2

ATTENTION! TO REMOVE PART #E FROM PART #A, RETAIN ALL BOLTS, LOCK WASHERS AND FLAT WASHERS IN THIS STEP AND USE ALL HARDWARE IN STEP 5.

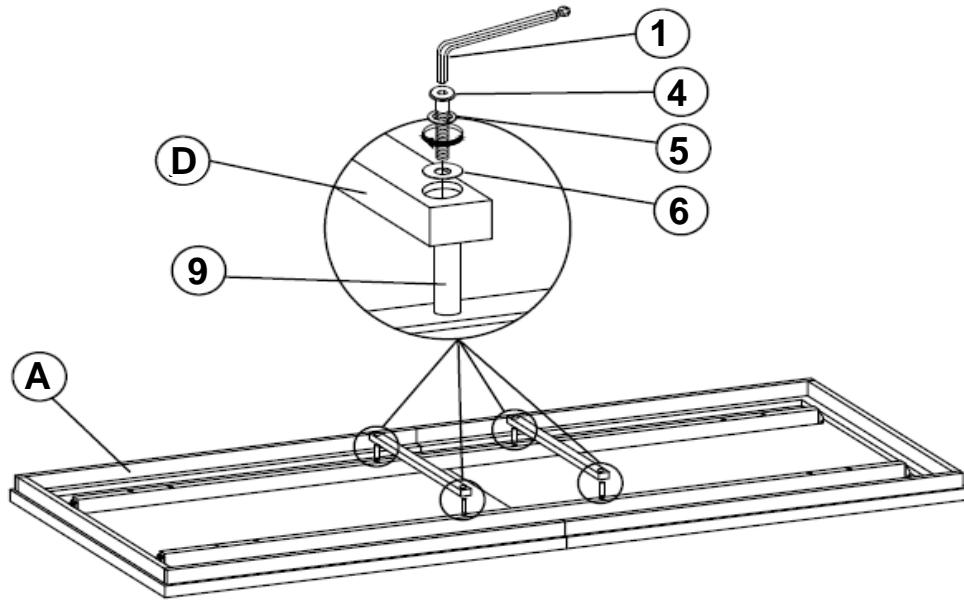


### STEP 3



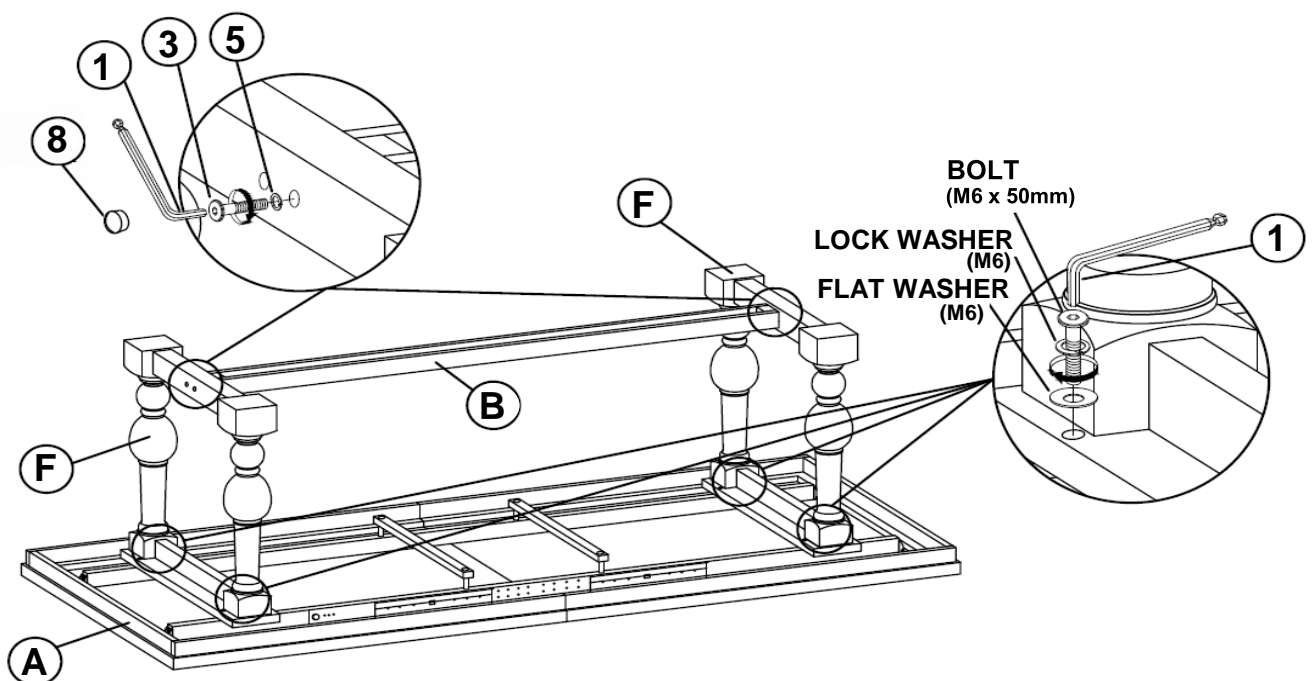
# ITEM: 108241 (B1&B2)

## ASSEMBLY INSTRUCTIONS STEP 4



## STEP 5

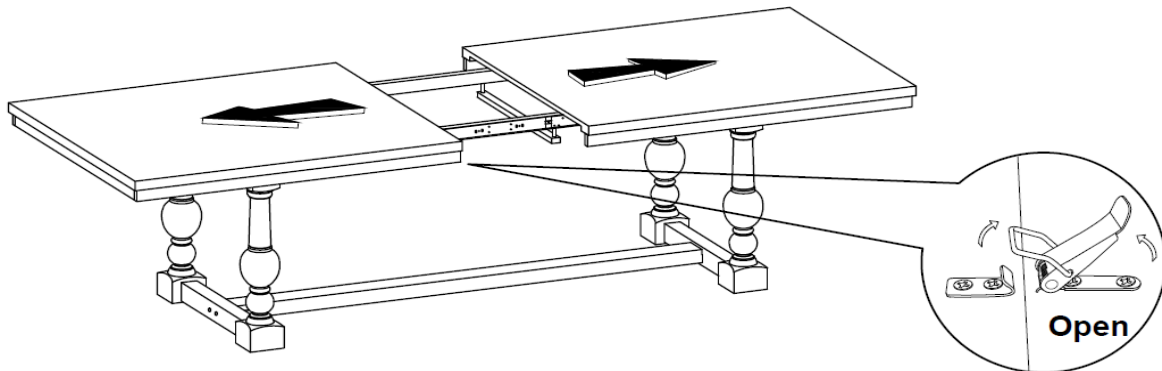
ATTENTION! PLEASE USE ALL BOLTS, LOCK WASHERS AND FLATS WASHERS IN STEP 2.



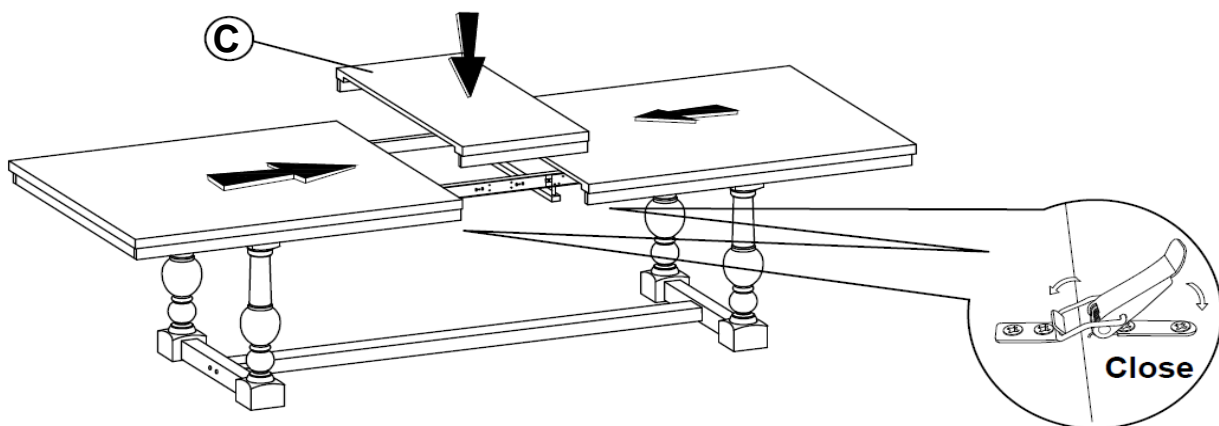
ITEM: **108241 (B1&B2)**



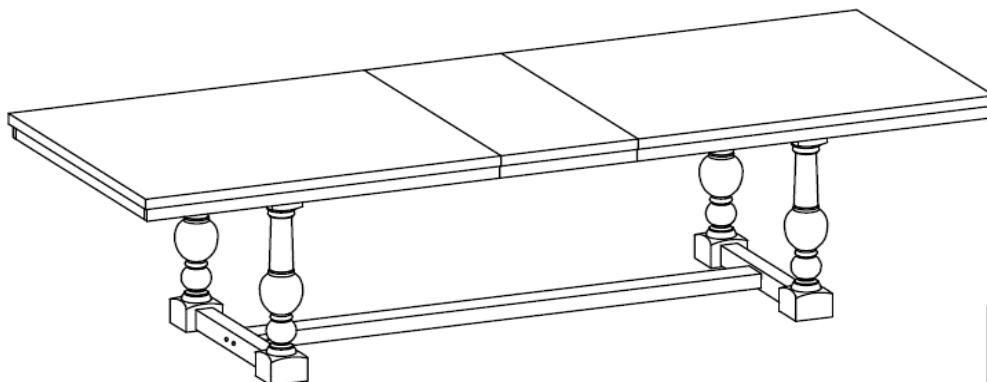
**ASSEMBLY INSTRUCTIONS**  
**STEP 6**



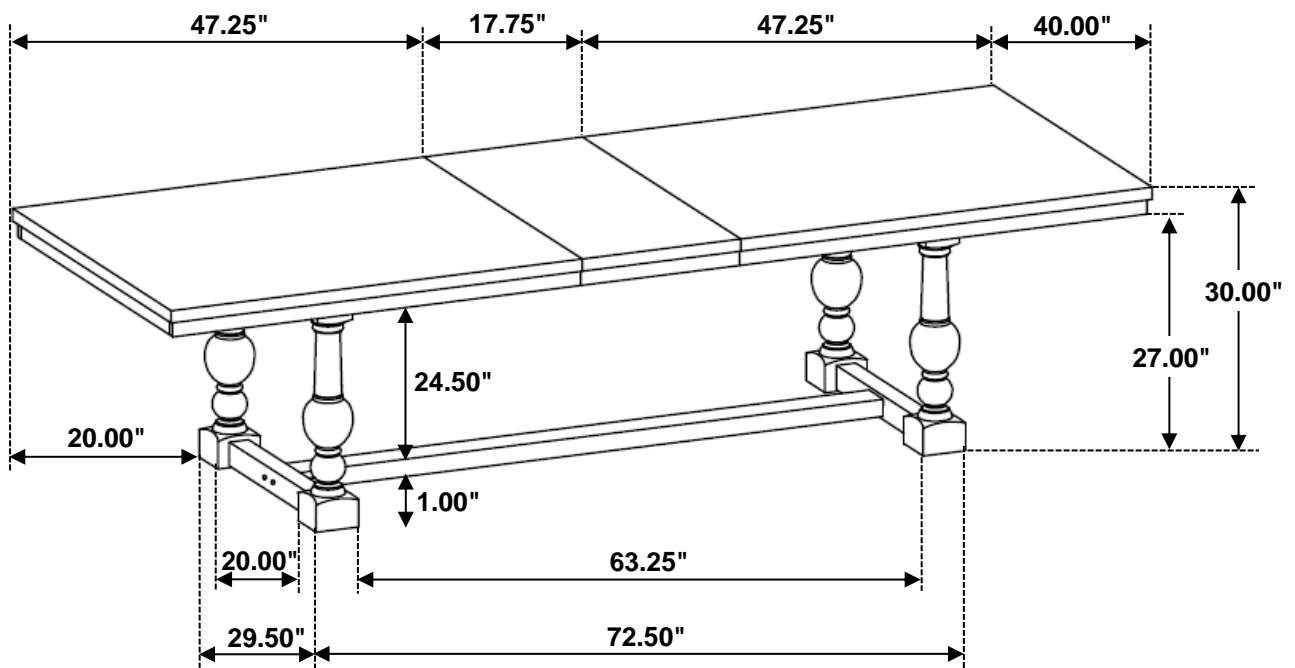
**STEP 7**



**STEP 8**  
**COMPLETE**



# ITEM: 108241 (B1&B2)



Note: Dimension tolerance  $\pm 5\%$