



ASSEMBLY INSTRUCTIONS
COASTER FINE FURNITURE



Fine Furniture for every stage of life

183042
Side Chair

ITEM: 183042



ASSEMBLY INSTRUCTIONS

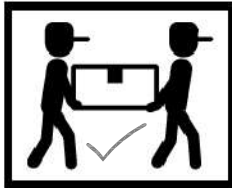
ASSEMBLY TIPS :

1. Remove hardware from box and sort by size.
2. Please check to see that all hardware and parts are present prior to start of assembly.
3. Please follow attached instructions in the same sequence as numbered to assure fast & easy assembly.



WARNING !

1. Don't attempt to repair or modify parts that are broken or defective. Please contact the store immediately.
2. This product is for home use only and not intended for commercial establishments.



ASSEMBLY TIME

15 MINUTES

PARTS IDENTIFICATION

A	SEAT AND BACK		1PC
B	RIGHT LEG FRAME		1PC
C	LEFT LEG FRAME		1PC
D	STRETCHER		1PC

HARDWARE IDENTIFICATION

1	ALLEN WRENCH (M4 x 110MM - BLK)		1PC
2	SHORT BOLT (M6 x 30MM - RBW)		6PCS
3	LONG BOLT (M6 x 50MM - RBW)		2PCS
4	LOCK WASHER (1/4" - BLK)		8PCS
5	FLAT WASHER (M6 x 13MM - RBW)		8PCS
6	BARREL NUT (M6 x 9.5 x 14MM)		2PCS
7	WOOD PLUG (Ø14.5 x 9MM)		2PCS

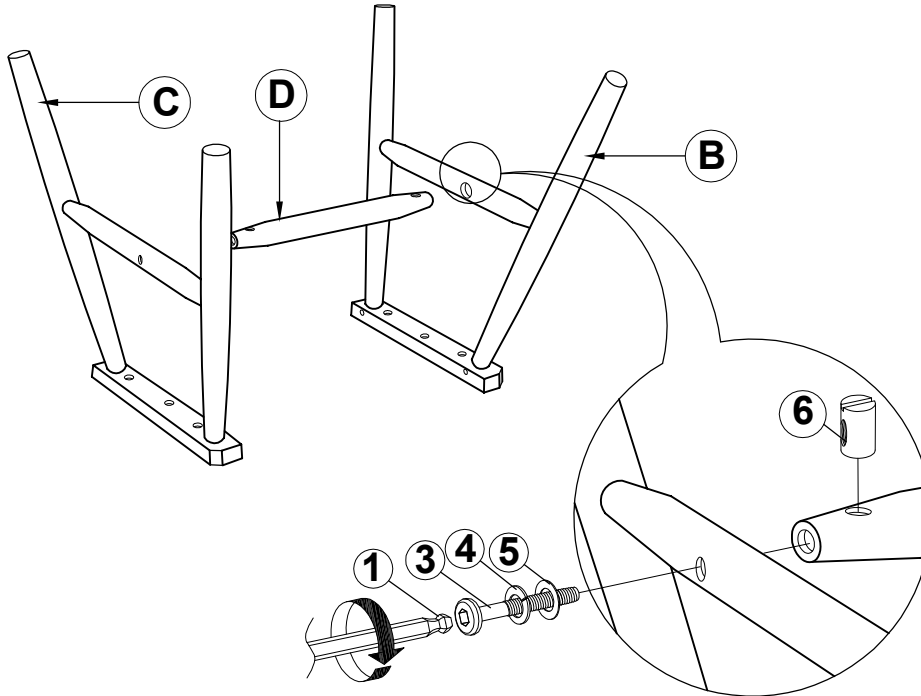
NOTE :

Quantities shown are for one chair.

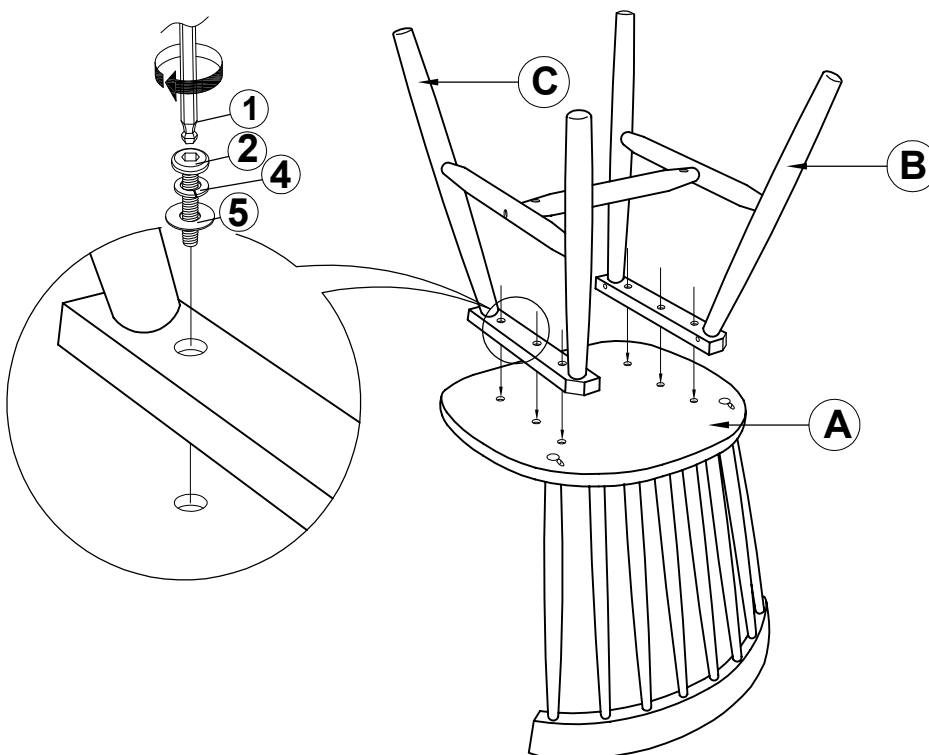
ITEM: **183042**

ASSEMBLY INSTRUCTIONS

STEP 1



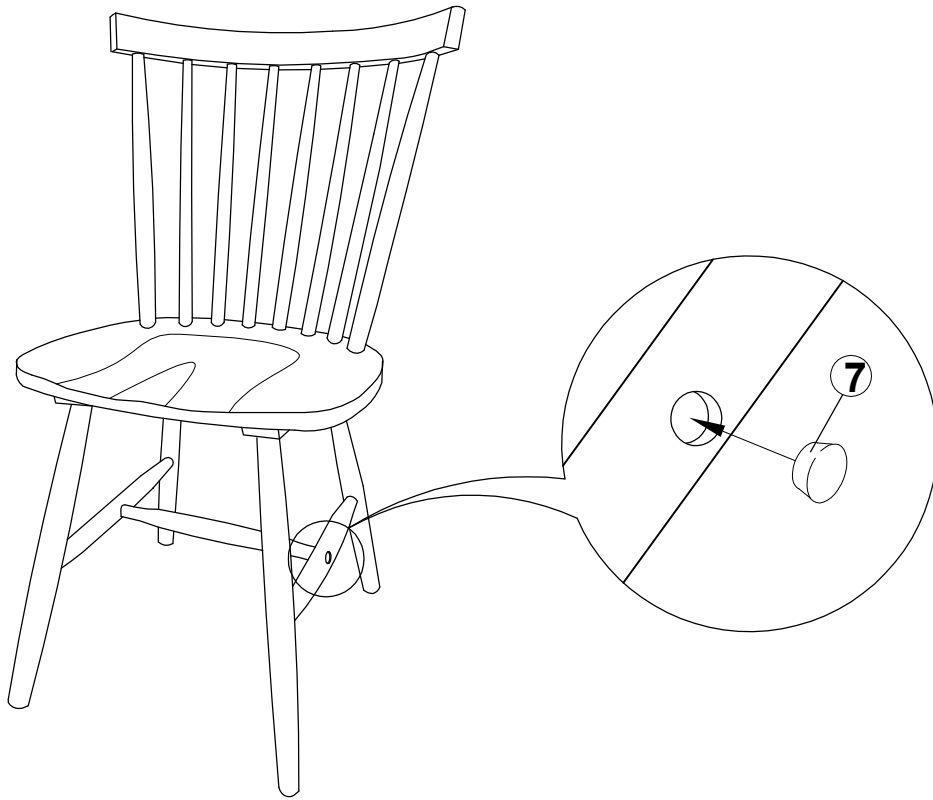
STEP 2



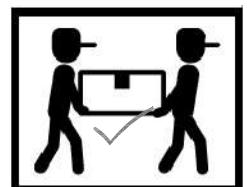
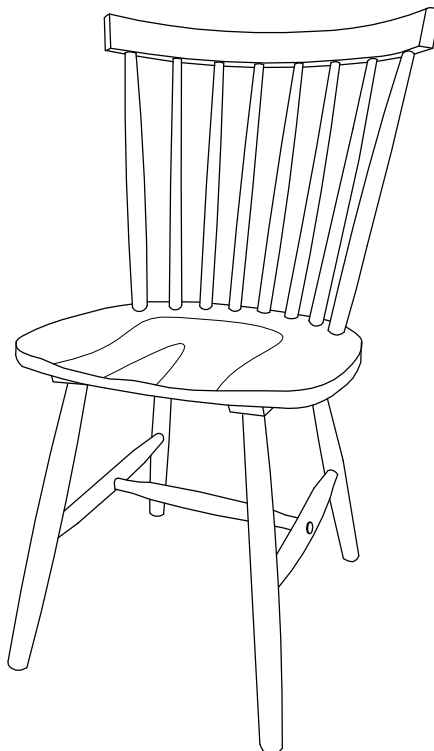
ITEM: **183042**
ASSEMBLY INSTRUCTIONS



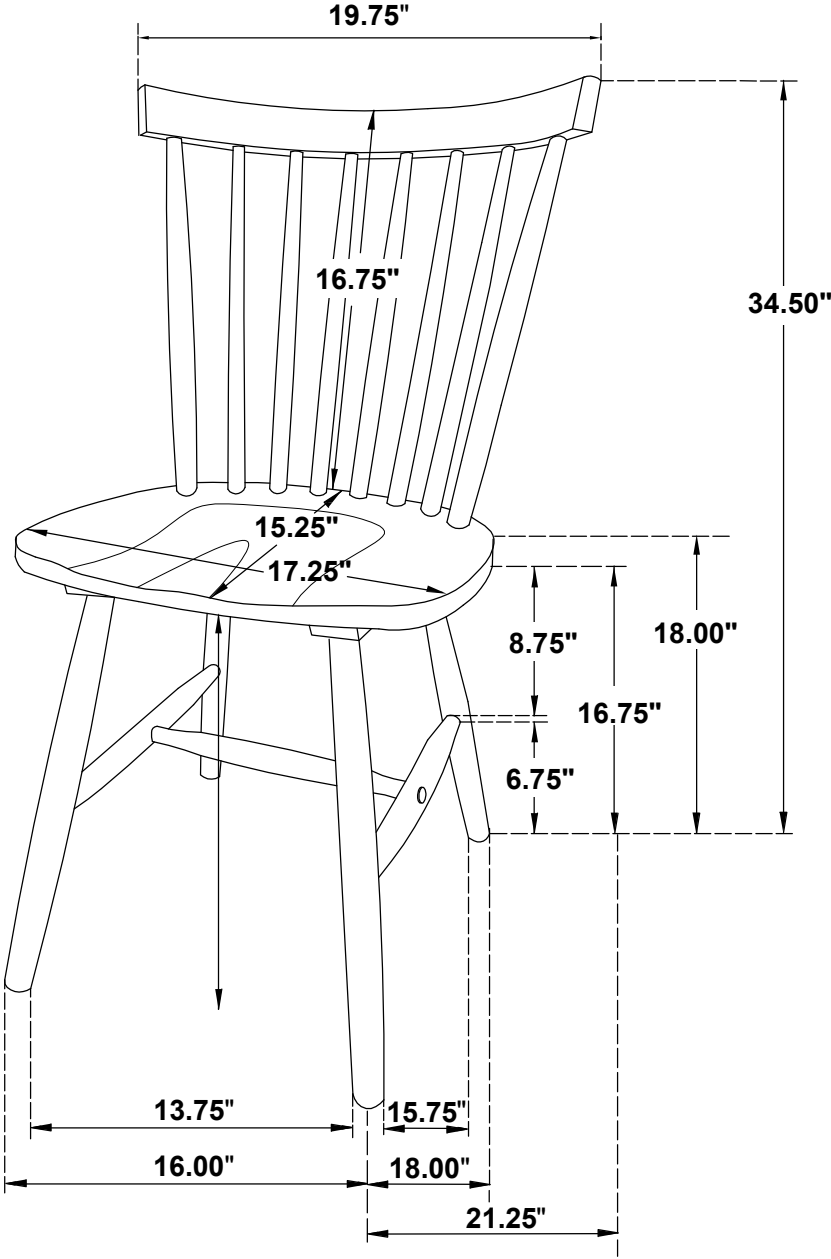
STEP 3



STEP 4
COMPLETE



ITEM: **183042**



Note: Dimension tolerance $\pm 5\%$