

*ASSEMBLY INSTRUCTIONS  
COASTER FINE FURNITURE*



*Fine Furniture for every stage of life*

**930088**  
**TV Tray Table Set**

# ASSEMBLY INSTRUCTIONS

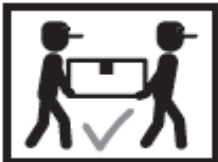
## ASSEMBLY TIPS:

1. Remove hardware from box and sort by size.
2. Please check to see that all hardware and parts are present prior to start of assembly.
3. Please follow attached instructions in the same sequence as numbered to assure fast & easy assembly.



### WARNING!

1. Don't attempt to repair or modify parts that are broken or defective. Please contact the store immediately.
2. This product is for home use only and not intended for commercial establishments.



ASSEMBLY TIME

5 MINUTES

## PARTS IDENTIFICATION

A	POST		2PCS
B	HANGER BAR		2PCS
C	HANDLE		1PC
D	CROSSBAR		1PC
E	LEG		2PCS
F	TRAY TABLE		4PCS

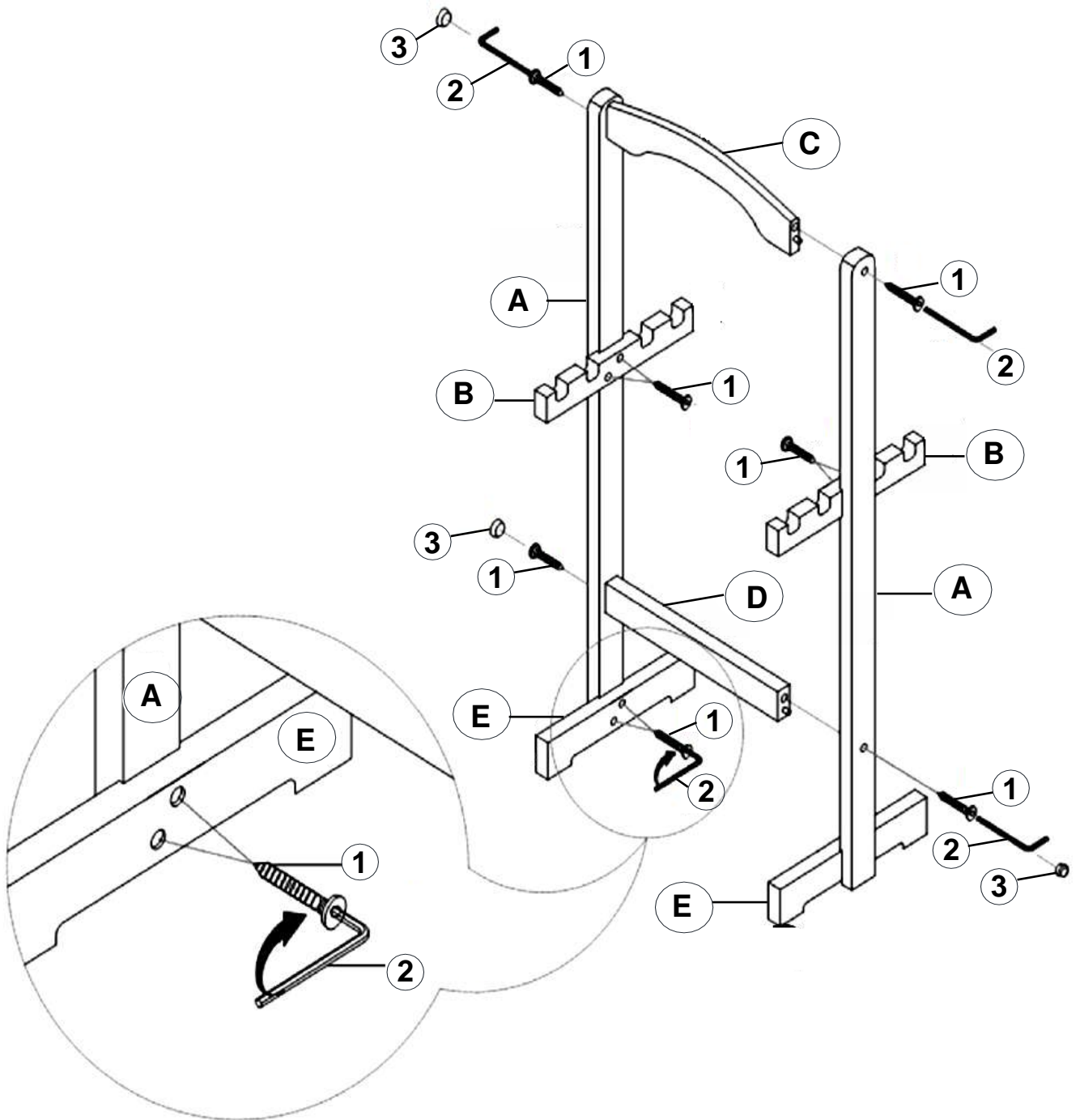
## HARDWARE IDENTIFICATION

1	<b>HEX HEAD SCREW</b> (Ø1/4" x 30mm - GD)		12PCS
2	<b>ALLEN WRENCH</b> (4MM - GD)		1PC
3	<b>WOOD PLUG</b> (Ø13mm)		4PCS

ITEM: **930088**



**ASSEMBLY INSTRUCTIONS**  
**STEP 1**



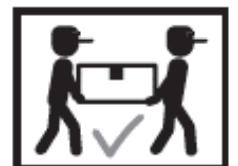
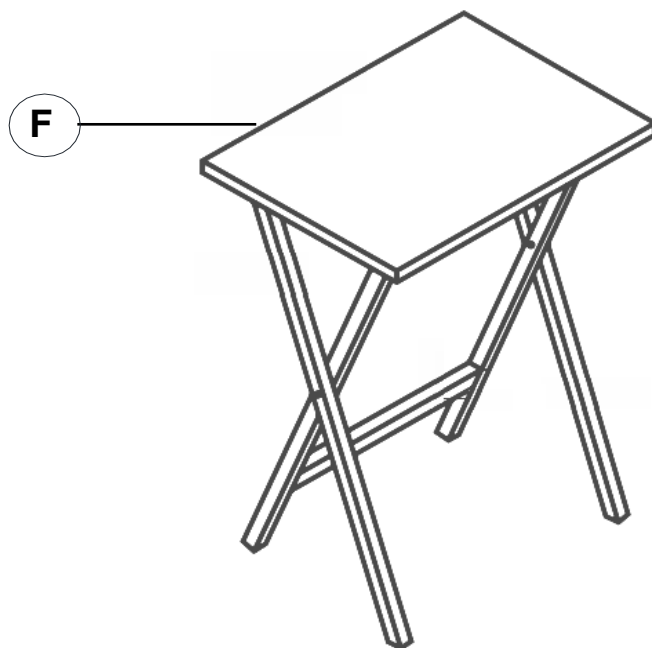
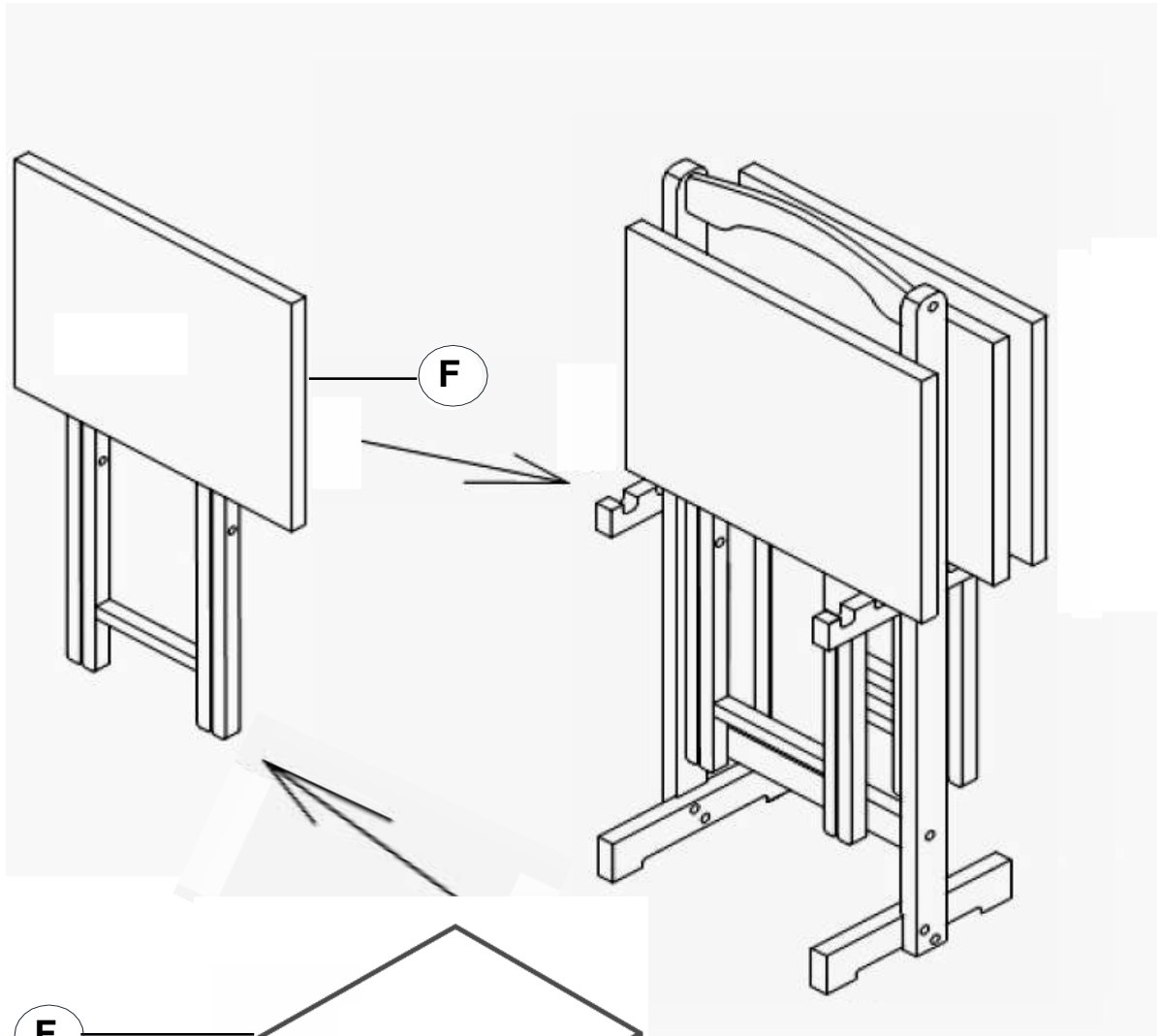
ITEM: **930088**



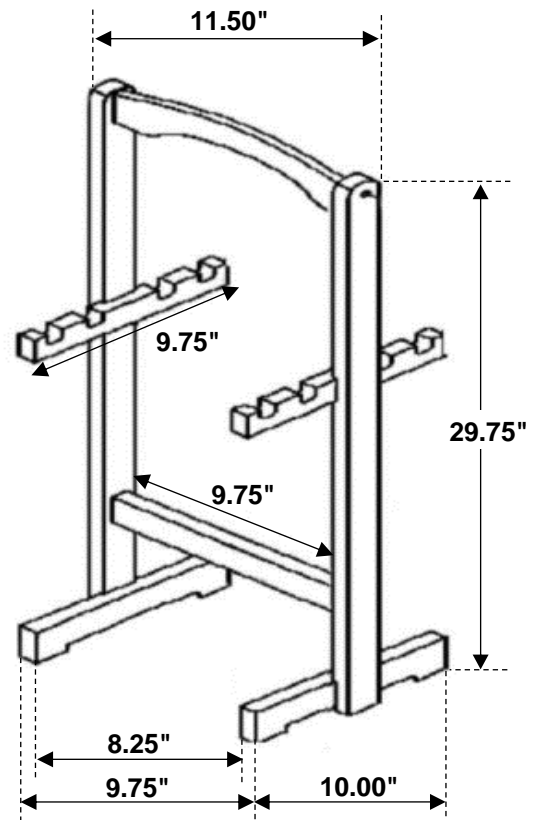
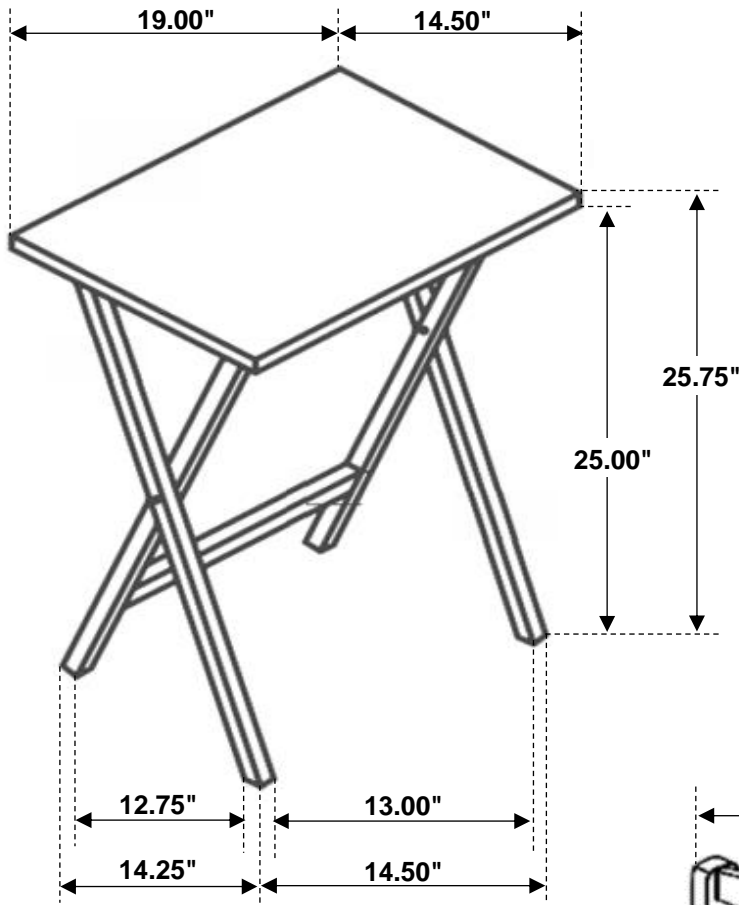
**ASSEMBLY INSTRUCTIONS**

**STEP 2**

**COMPLETE**



ITEM:930088



Note: Dimension tolerance  $\pm 5\%$