

ASSEMBLY INSTRUCTIONS COASTER FINE FURNITURE



Fine Furniture for every stage of life

102535
BARSTOOL

REIVSION:06/16/2020
REIVSION:08/04/2022
REIVSION:08/22/2023

COASTERFURNITURE.COM

ITEM :102535
ASSEMBLY INSTRUCTIONS



ASSEMBLY TIPS:

1. Remove hardware from box and sort by size.
2. Please check to see that all hardware and parts are present prior to start of assembly.
3. Please follow attached instructions in the same sequence as numbered to assure fast & easy assembly.



Warning!

1. Don't attempt to repair or modify parts that are broken or defective. Please contact the store immediately.
2. This product is for home use only and not intended for commercial establishments.



ASSEMBLY TIME 5 MINUTES

PARTS IDENTIFICATION

	PART NAME	FIGURE	QTY
A	SEAT AND B ACK		1PC
B	LEFT L EG		1PC
C	RIGHT L EG		1PC
D	CROSSBAR		2PCS

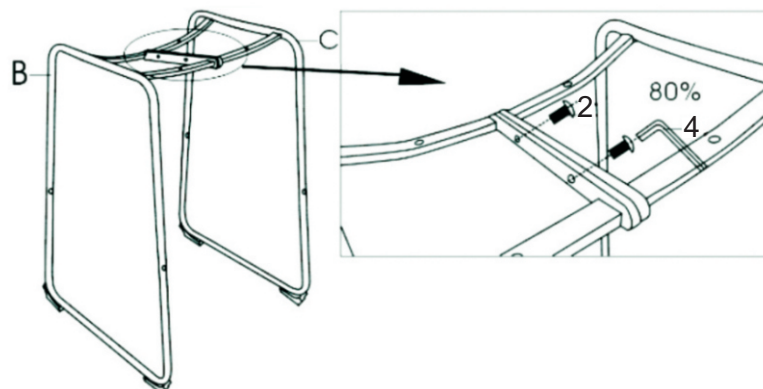
HARDWARE IDENTIFICATION

	HARDWARE NAME	FIGURE	QTY
1	BOLTS M6x22MM		4PCS
2	BOLTS M8x14MM		2PCS
3	BOLTS M6x30MM		4PCS
4	ALLEN WRENCH M6		1PC
5	ALLEN WRENCH M5		1PC
6			

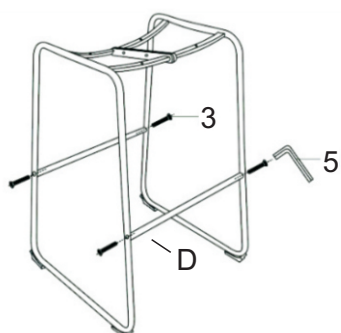
ITEM :102535
ASSEMBLY INSTRUCTIONS



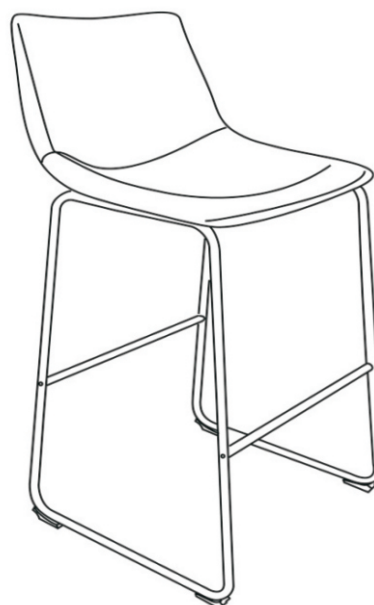
STEP1



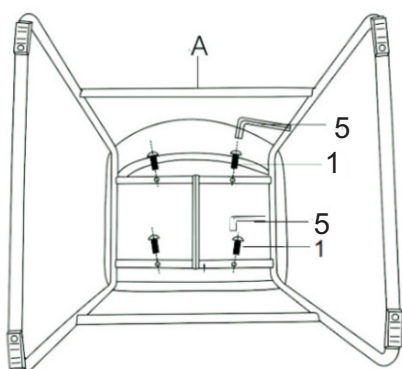
STEP2



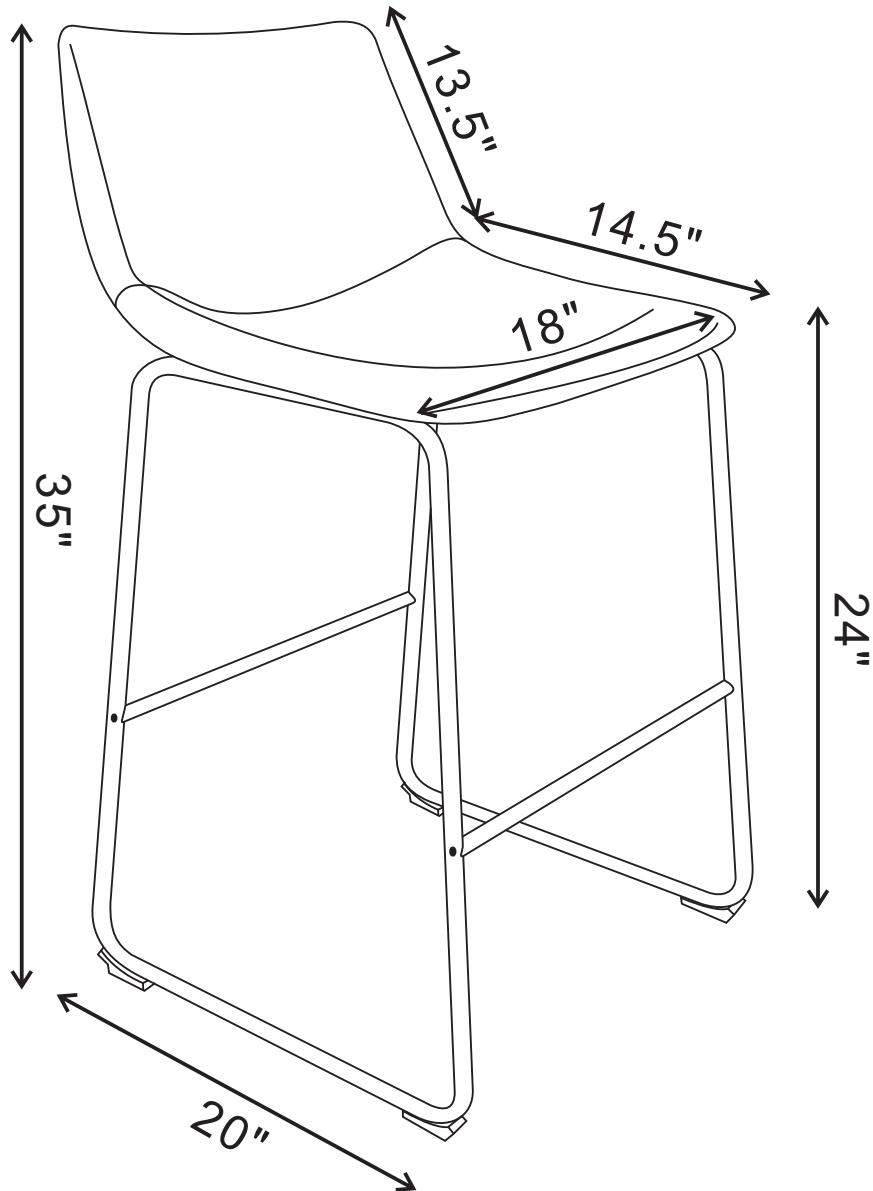
STEP4



STEP3



ITEM :102535
ASSEMBLY INSTRUCTIONS



Note:Dimension tolerance±5%

COASTERFURNITURE.COM