



*ASSEMBLY INSTRUCTIONS
COASTER FINE FURNITURE*



551321-3
SOFA

ITEM: 551321

ASSEMBLY INSTRUCTIONS



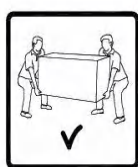
ASSEMBLY TIPS:

1. Remove hardware from box and sort by size.
2. Please check to see that all hardware and parts are present prior to start of assembly.
3. Please follow attached instructions in the same sequence as numbered to assure fast & easy assembly.



Warning!

1. Don't attempt to repair or modify parts that are broken or defective. Please contact the store immediately.



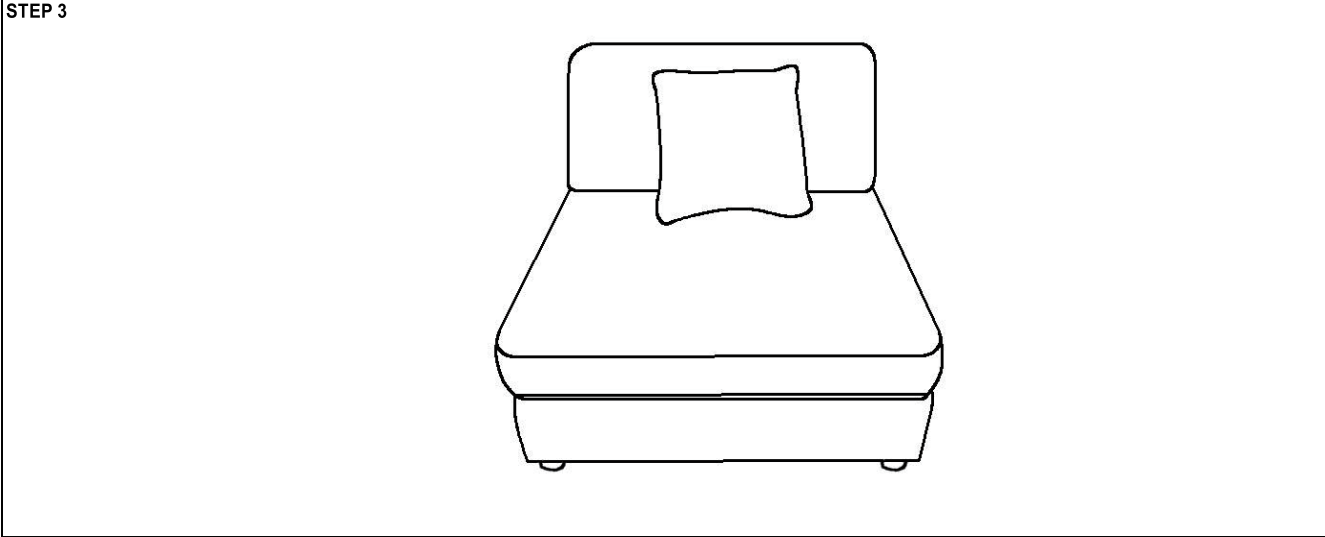
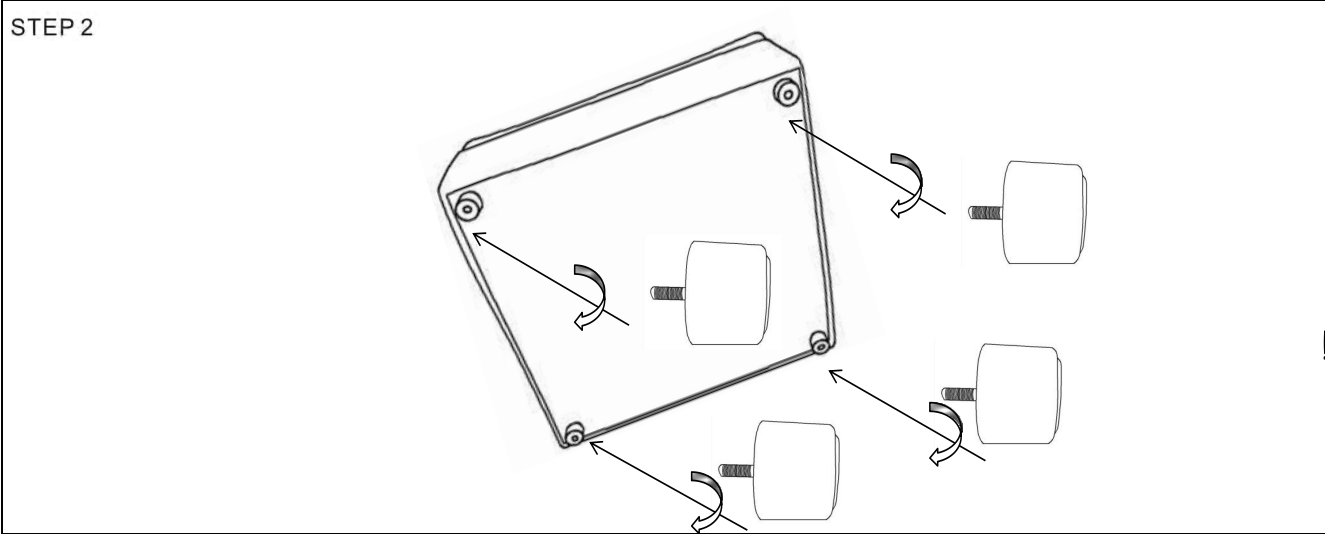
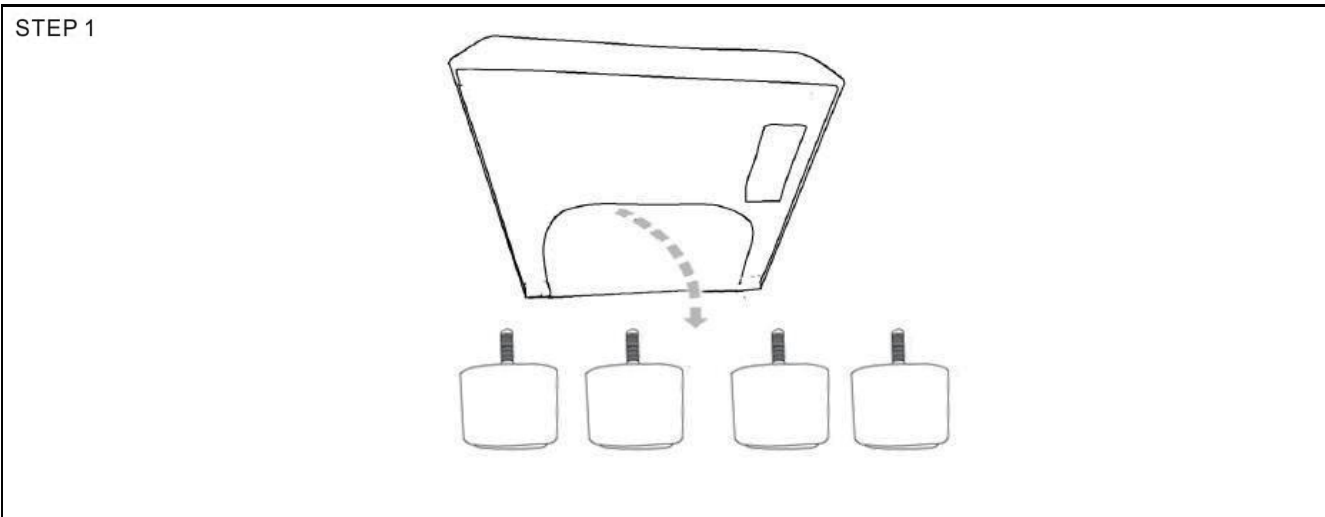
ASSEMBLY TIME 3 MINUTES

PARTS IDENTIFICATION

	PART NAME	FIGURE	QUANTITY
A	ARMLESS CHAIR		1PC
B	LEG		4PCS
C	PILLOW		1PC

ITEM: 551321

ASSEMBLY INSTRUCTIONS





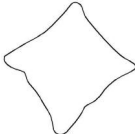

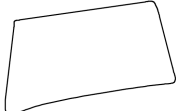
ITEM: 551322

ASSEMBLY INSTRUCTIONS



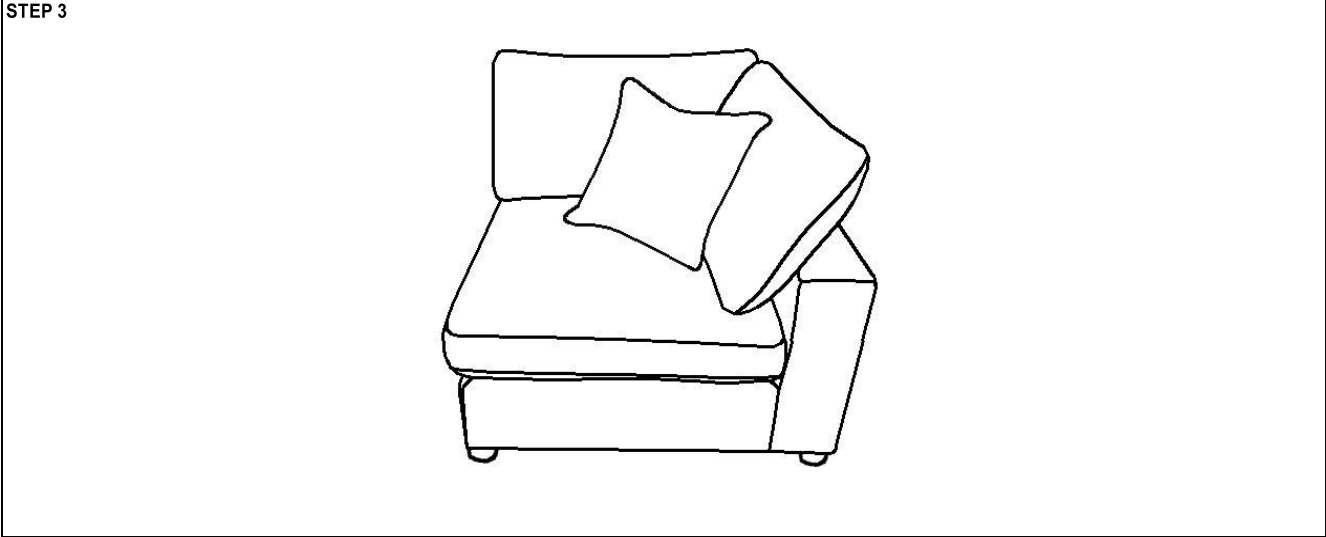
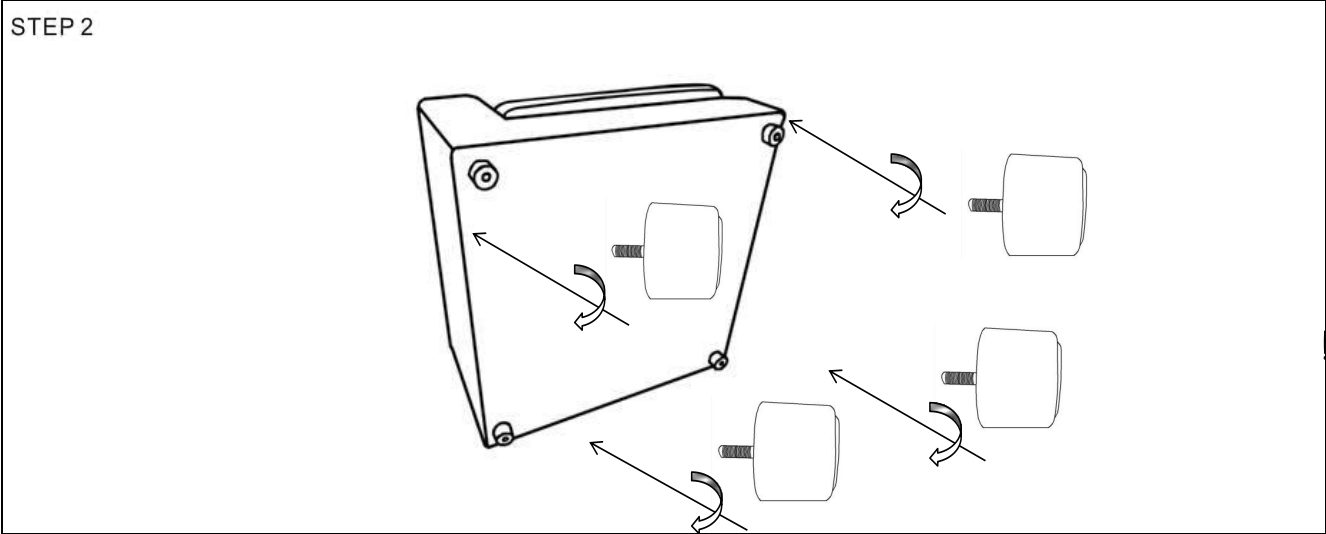
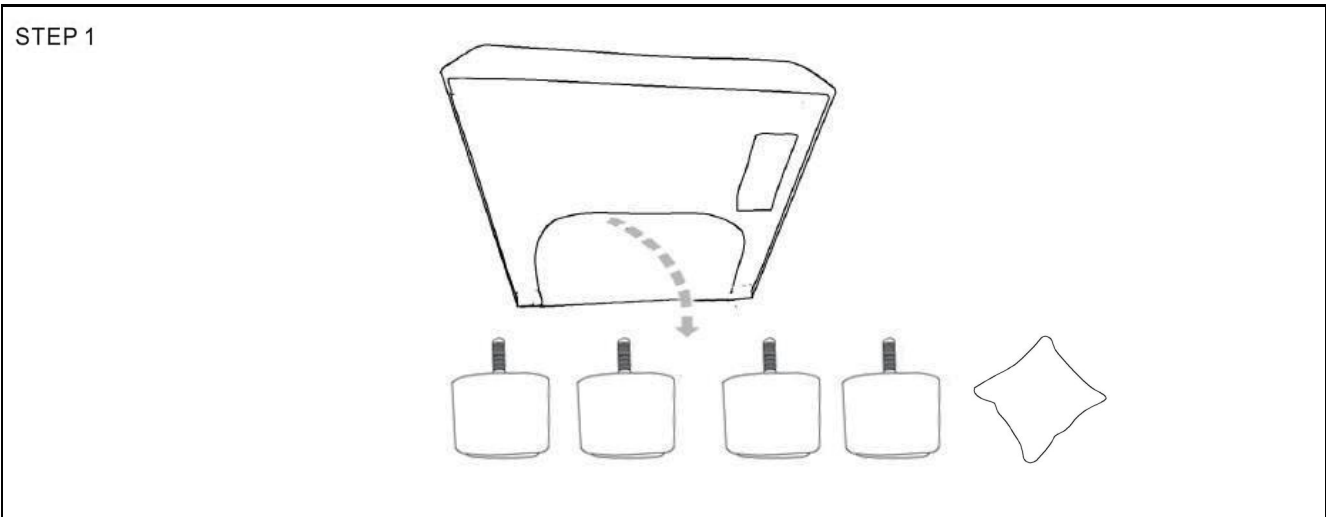
ASSEMBLY TIME	3 MINUTES
---------------	-----------

PARTS IDENTIFICATION

	PART NAME	FIGURE	QUANTITY
A	CORNER		1PC
B	LEG		4PCS
C	PILLOW		1PC
D	BACK CUSHION		2PCS
E	SEAT CUSHION		1PC

ITEM: 551322

ASSEMBLY INSTRUCTIONS



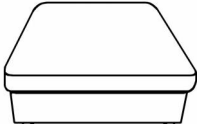

ITEM: 551323

ASSEMBLY INSTRUCTIONS



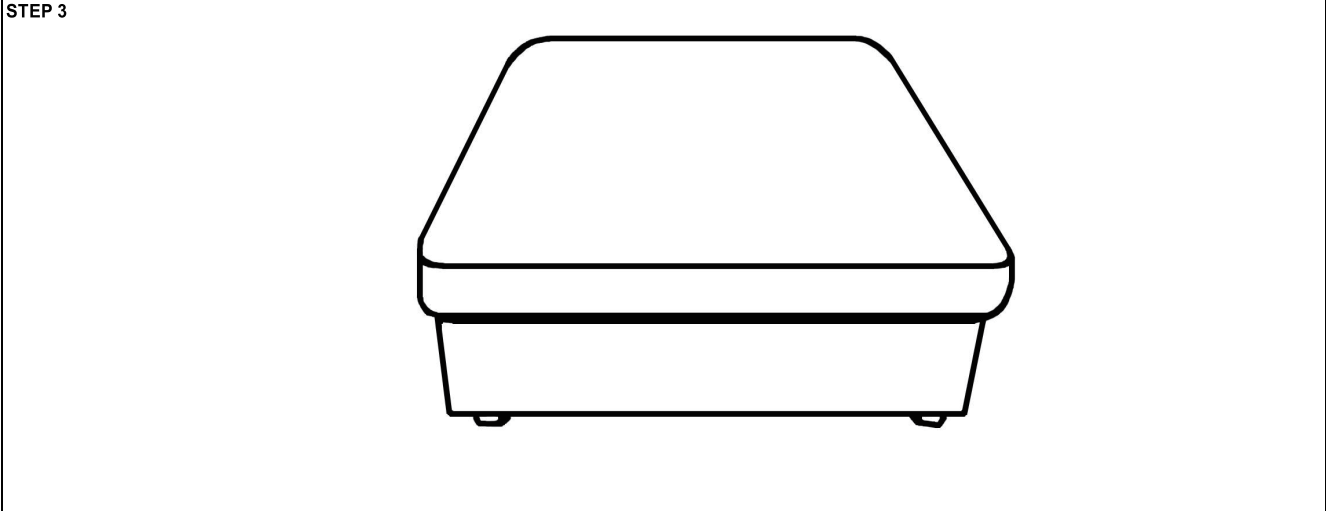
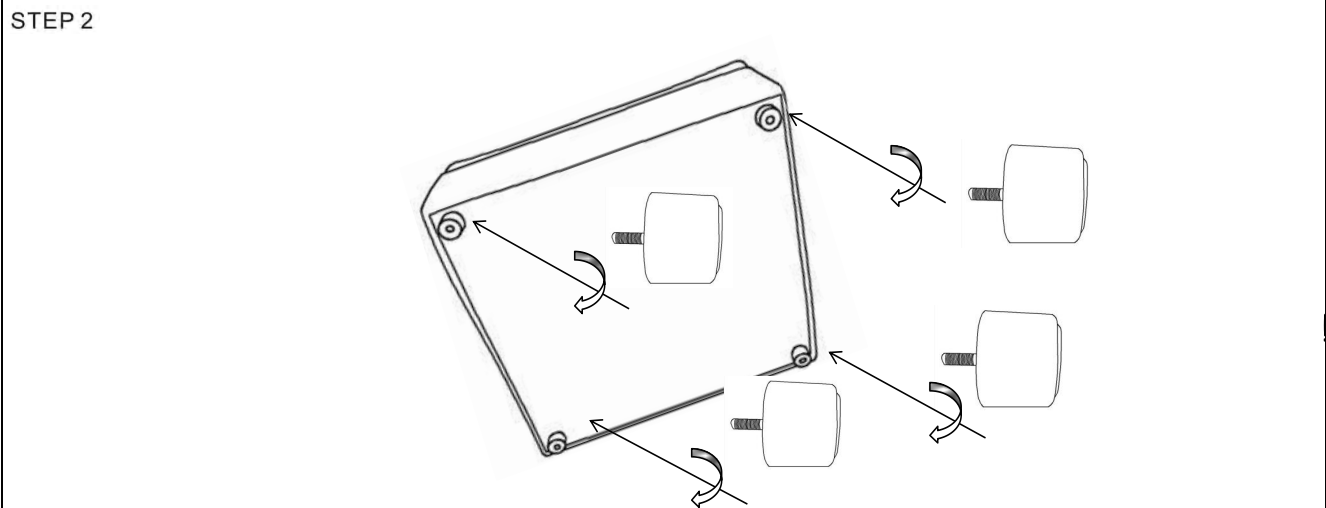
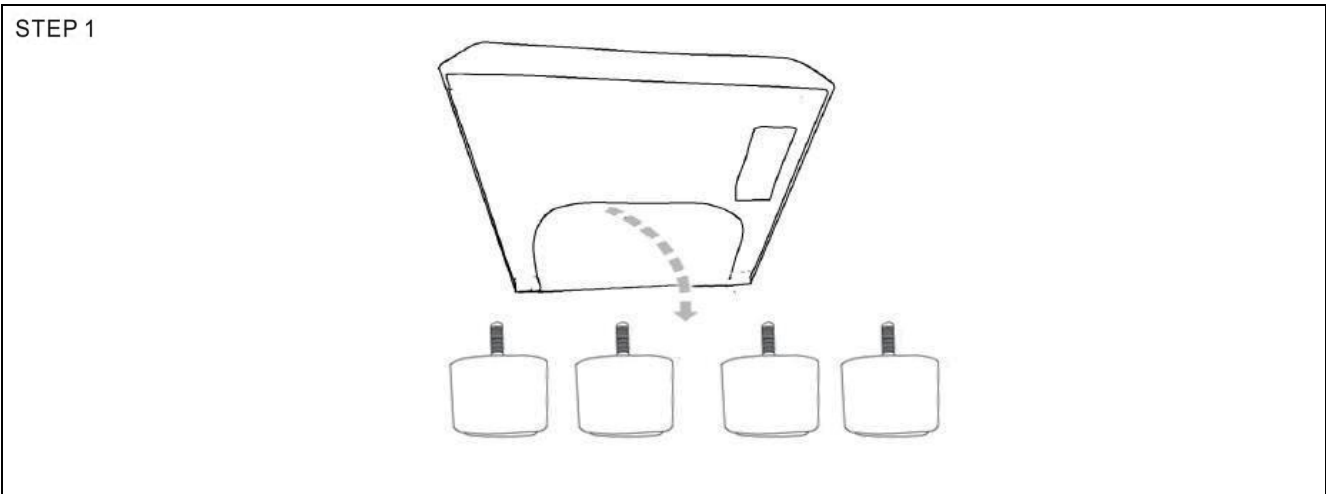
ASSEMBLY TIME 3 MINUTES

PARTS IDENTIFICATION

	PART NAME	FIGURE	QUANTITY
A	OTTOMAN		1PC
B	LEG		4PCS

ITEM: 551323

ASSEMBLY INSTRUCTIONS

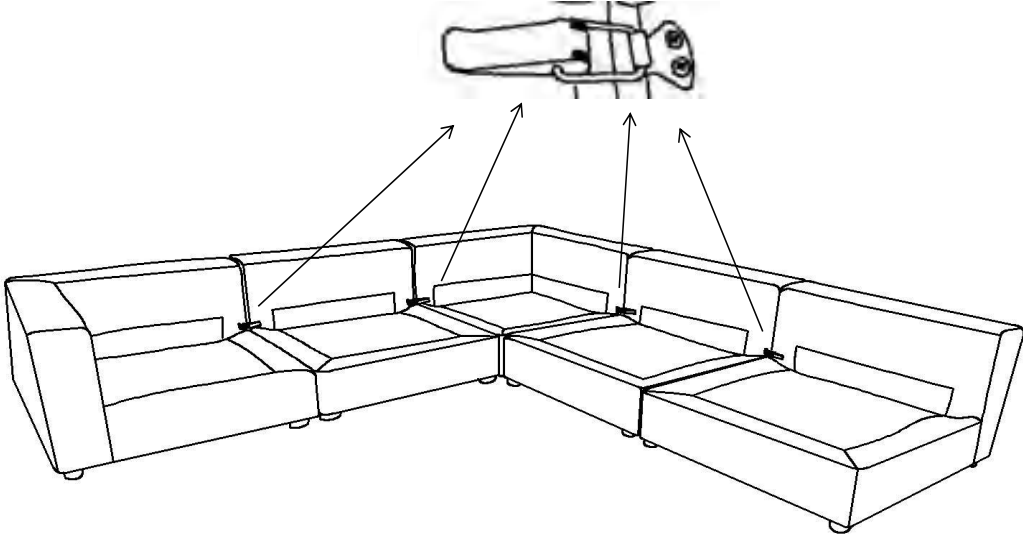


ITEM: 551321-3

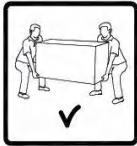
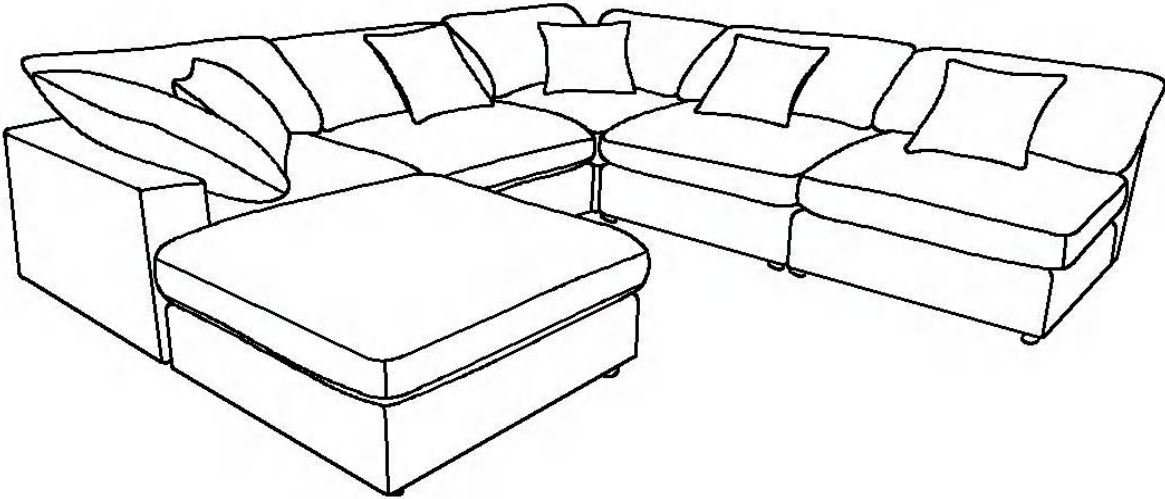
ASSEMBLY INSTRUCTIONS

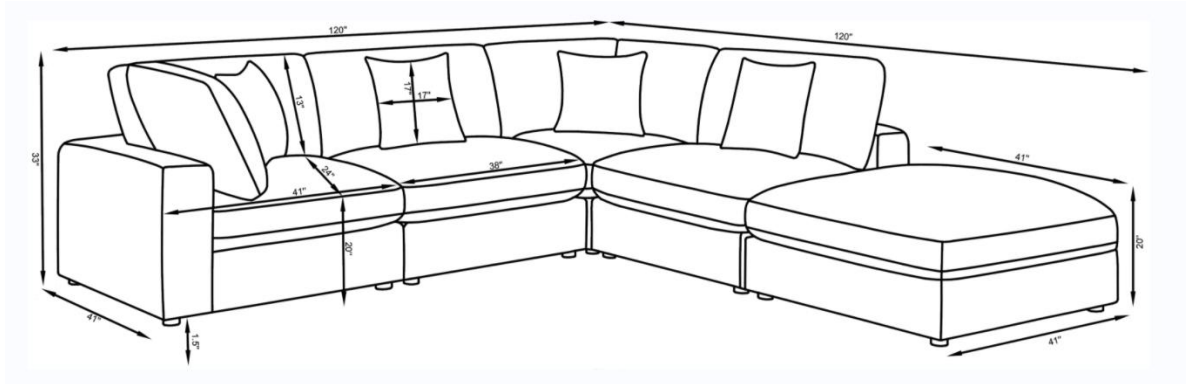


STEP 1



STEP 2





Note : Dimension tolerance $\pm 5\%$