



*ASSEMBLY INSTRUCTIONS
COASTER FINE FURNITURE*



Fine Furniture for every stage of life

551591
Armless Chair

ITEM: 551591

ASSEMBLY INSTRUCTIONS



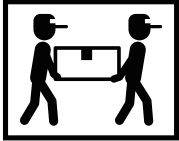
ASSEMBLY TIPS:

1. Remove hardware from box and sort by size.
2. Please check to see that all hardware and parts are present prior to start of assembly.
3. Please follow attached instructions in the same sequence as numbered to assure fast & easy assembly.



WARNING!

1. Don't attempt to repair or modify parts that are broken or defective. Please contact the store immediately.
2. This product is for home use only and not intended for commercial establishments.



ASSEMBLY TIME

8 MINUTES

PARTS IDENTIFICATION

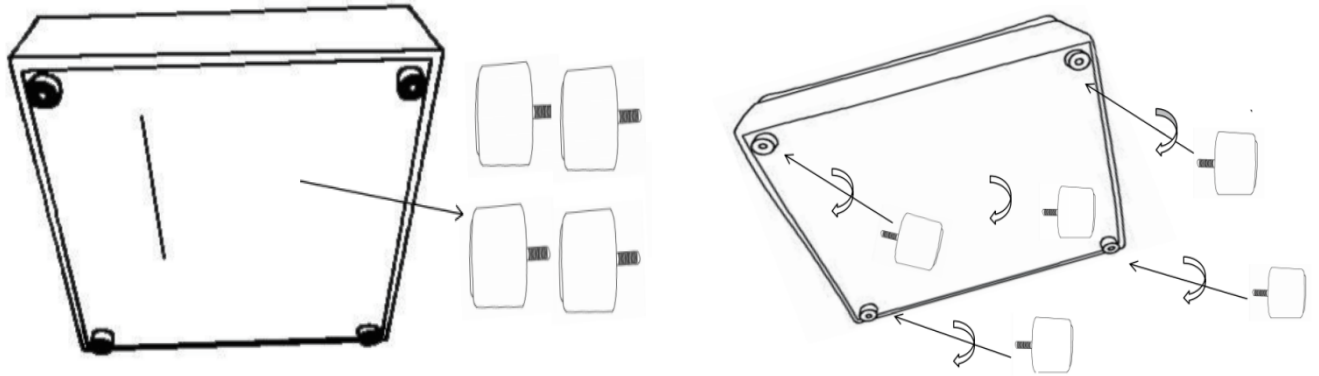
	PART NAME	FIGURE	QUANTITY
A	CHAIR BASE		1PC
B	PILLOW		2PCS
C	LEG		4PCS

ITEM: 551591

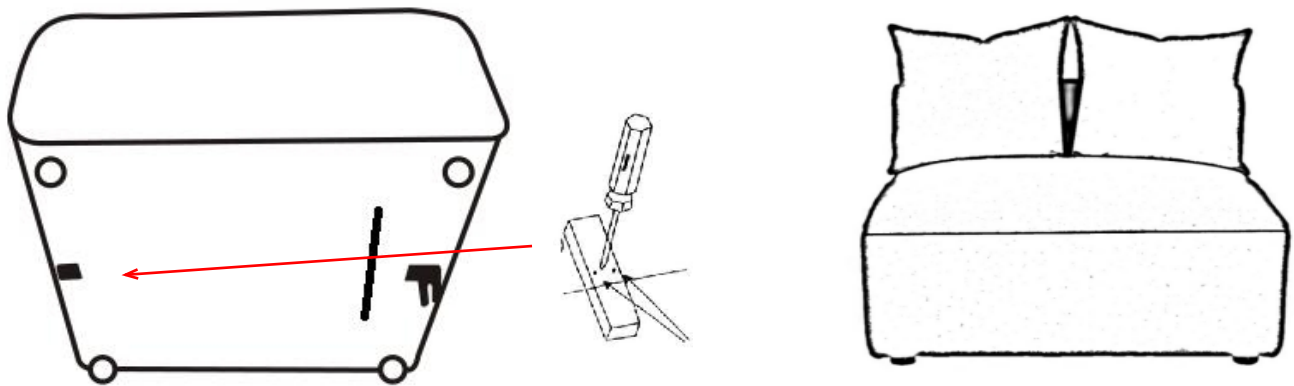


ASSEMBLY INSTRUCTIONS

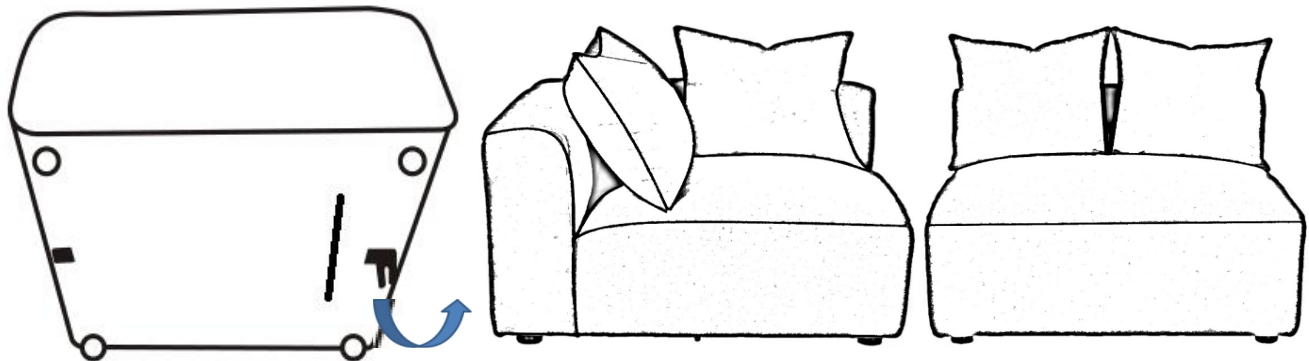
STEP 1 Turn over the item and take out the legs from zippered pouch and install the legs as pictures show



STEP 2 Please remove the wood block with screwdriver, do not use a hammer

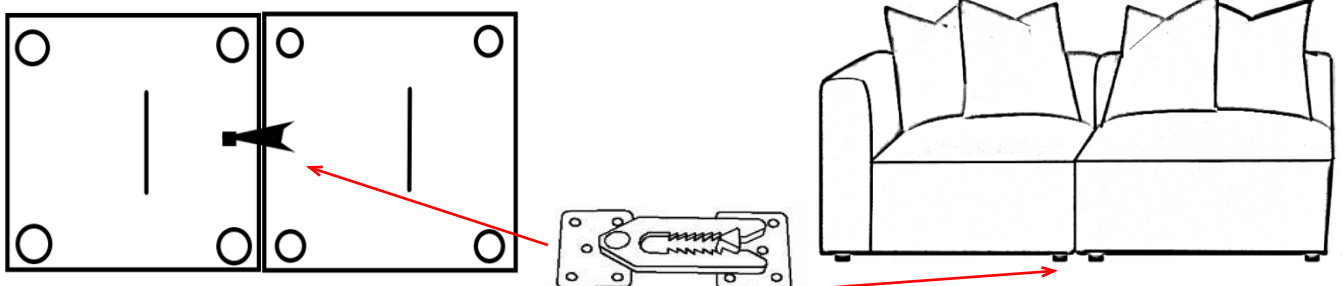


STEP 3 Rotate the metal clips, put the chair and corner closer

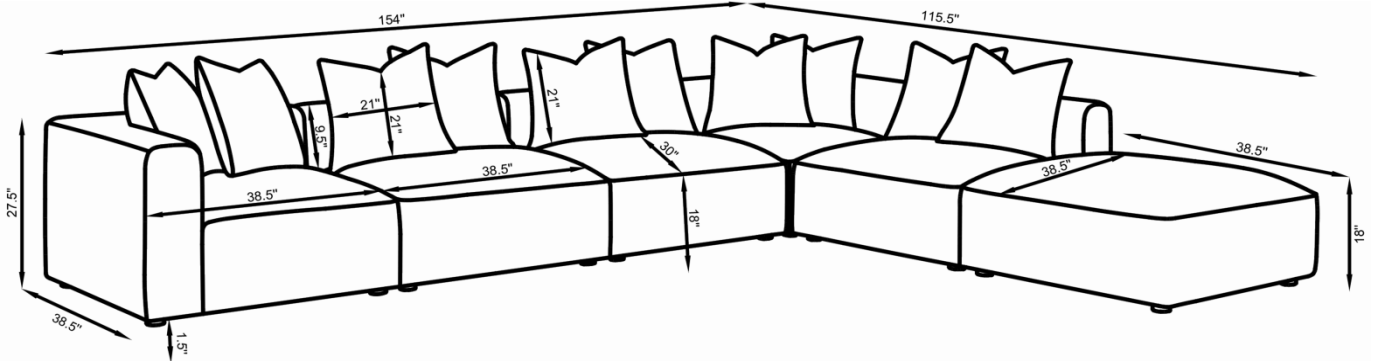
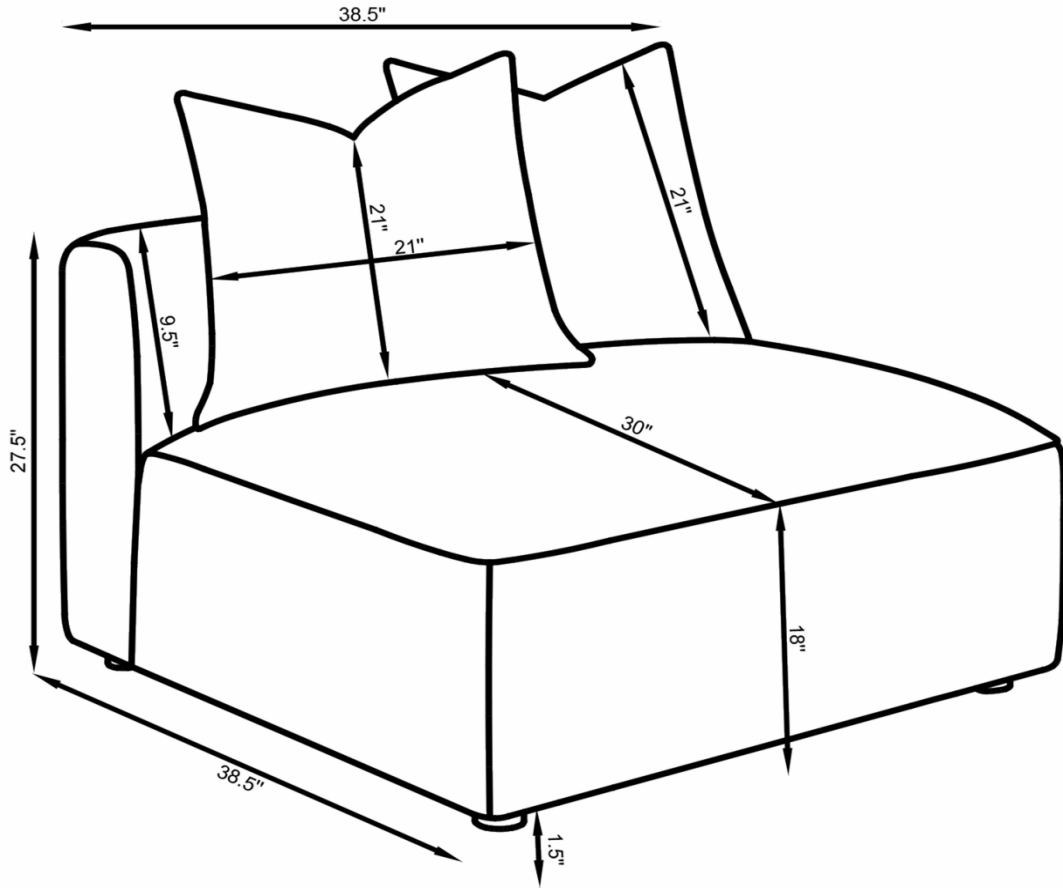


STEP 4 Insert the metal clips to connect other units as pictures show

COMPLETE



ITEM: 551591



Note : Dimension tolerance $\pm 5\%$





*ASSEMBLY INSTRUCTIONS
COASTER FINE FURNITURE*



Fine Furniture for every stage of life

551592
Corner

ITEM: 551592

ASSEMBLY INSTRUCTIONS



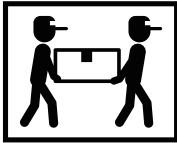
ASSEMBLY TIPS:

1. Remove hardware from box and sort by size.
2. Please check to see that all hardware and parts are present prior to start of assembly.
3. Please follow attached instructions in the same sequence as numbered to assure fast & easy assembly.



WARNING!

1. Don't attempt to repair or modify parts that are broken or defective. Please contact the store immediately.
2. This product is for home use only and not intended for commercial establishments.



ASSEMBLY TIME

8 MINUTES

PARTS IDENTIFICATION

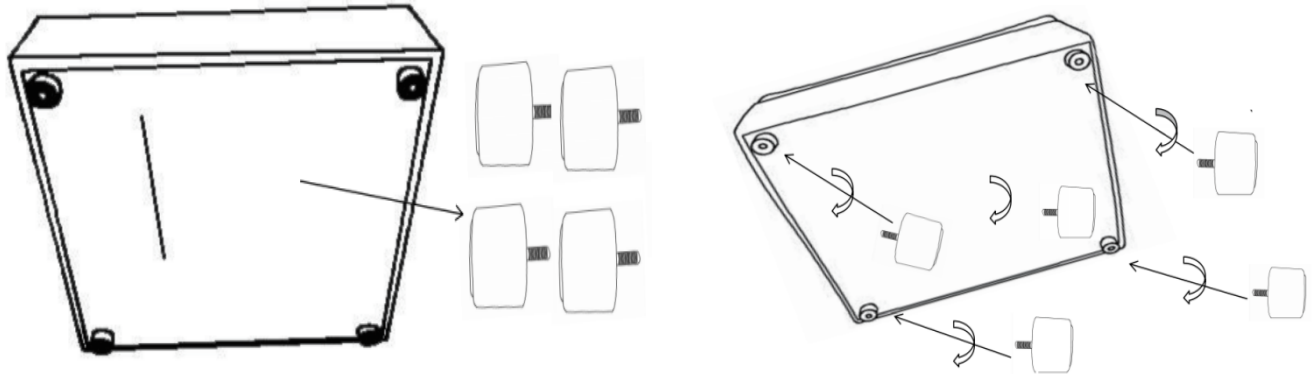
	PART NAME	FIGURE	QUANTITY
A	CORNER BASE		1PC
B	PILLOW		2PCS
C	LEG		4PCS

ITEM: 551592

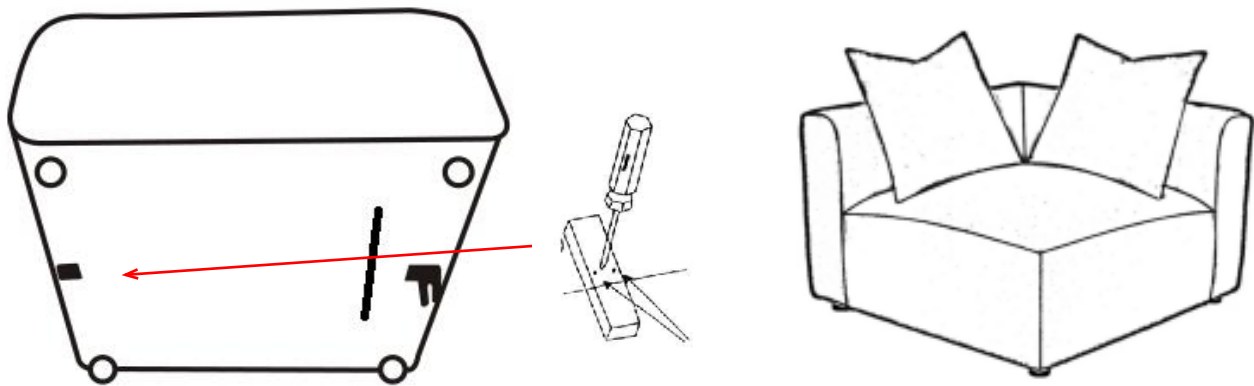


ASSEMBLY INSTRUCTIONS

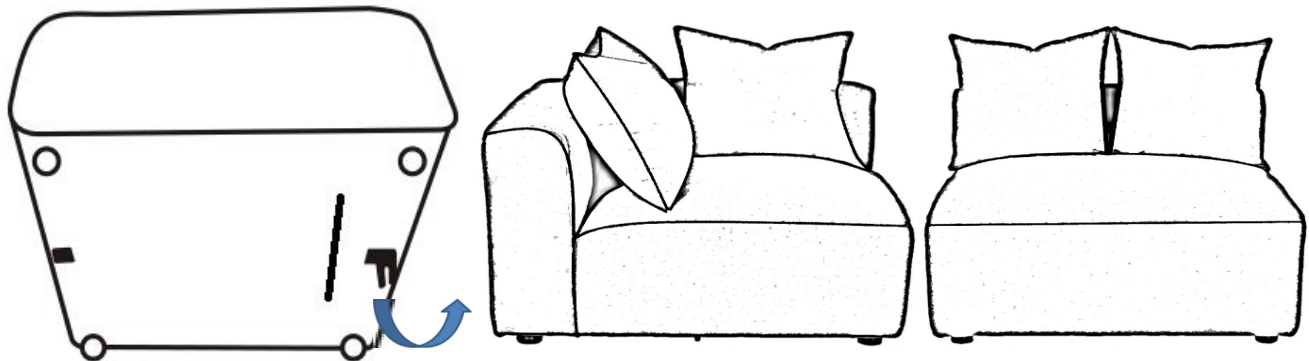
STEP 1 Turn over the item and take out the legs from zippered pouch and install the legs as pictures show



STEP 2 Please remove the wood block with screwdriver, do not use a hammer

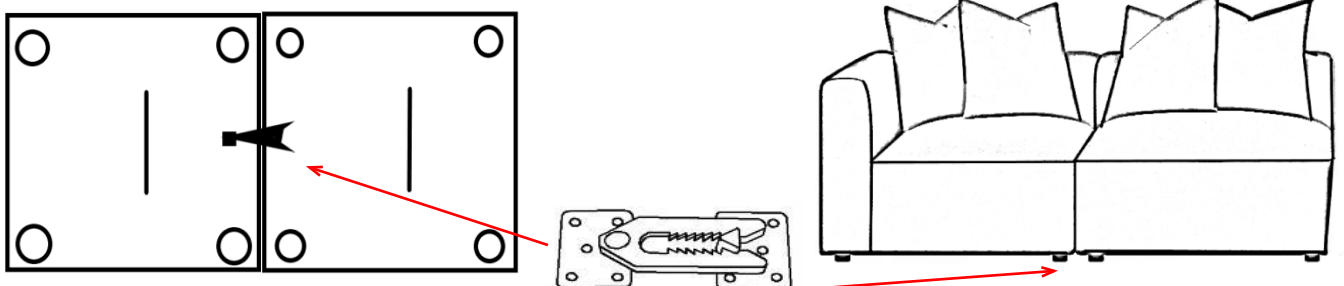


STEP 3 Rotate the metal clips, put the chair and corner closer

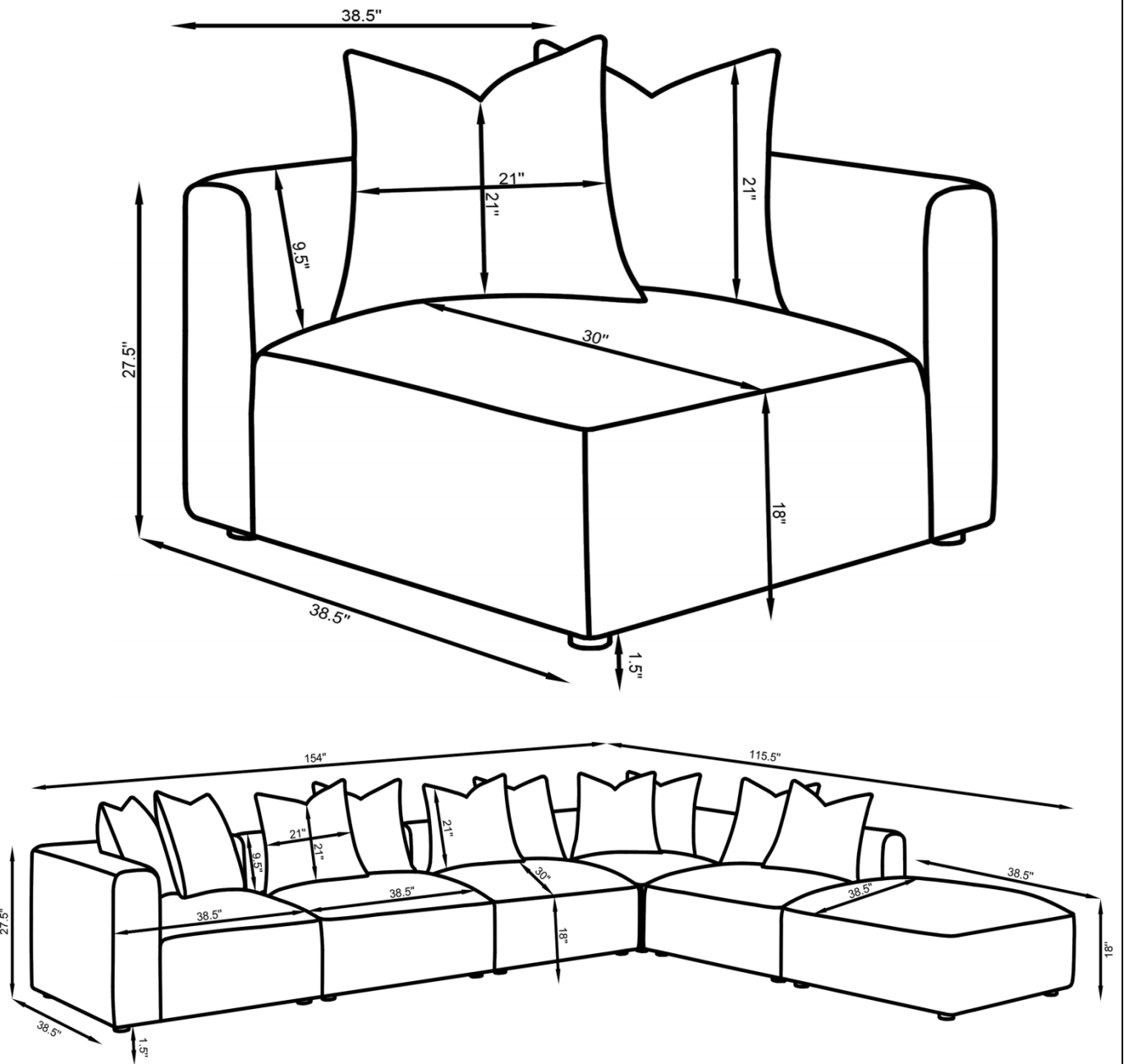


STEP 4 Insert the metal clips to connect other units as pictures show

COMPLETE



ITEM: 551592



Note : Dimension tolerance $\pm 5\%$





*ASSEMBLY INSTRUCTIONS
COASTER FINE FURNITURE*



Fine Furniture for every stage of life

551593
Ottoman

ITEM: 551593

ASSEMBLY INSTRUCTIONS



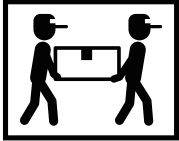
ASSEMBLY TIPS:

1. Remove hardware from box and sort by size.
2. Please check to see that all hardware and parts are present prior to start of assembly.
3. Please follow attached instructions in the same sequence as numbered to assure fast & easy assembly.



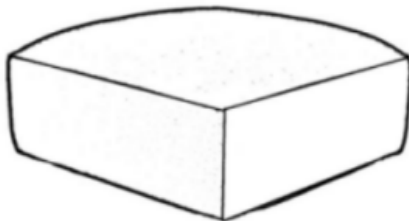
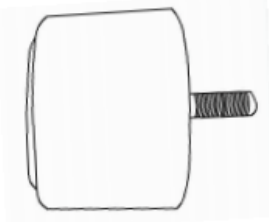
WARNING!

1. Don't attempt to repair or modify parts that are broken or defective. Please contact the store immediately.
2. This product is for home use only and not intended for commercial establishments.



ASSEMBLY TIME **2 MINUTES**

PARTS IDENTIFICATION

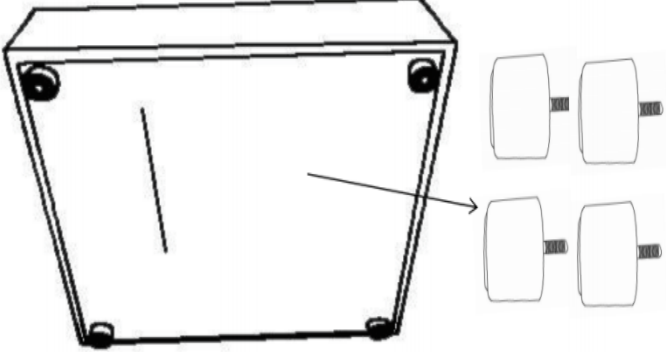
	PART NAME	FIGURE	QUANTITY
A	OTTOMAN BASE		1PC
B	LEG		4PCS

ITEM: 551593

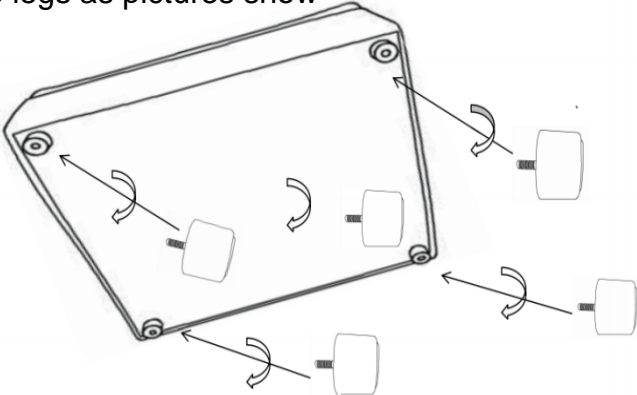


ASSEMBLY INSTRUCTIONS

STEP 1 Take out the legs from zippered pouch

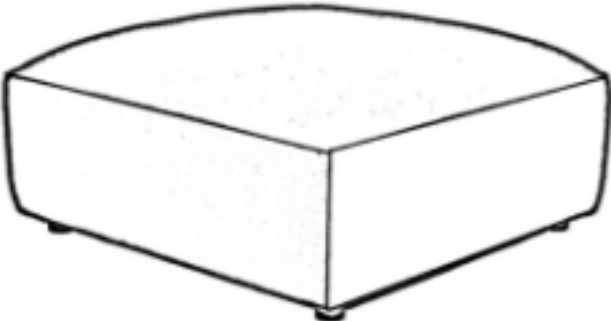


STEP 2 Install the legs as pictures show

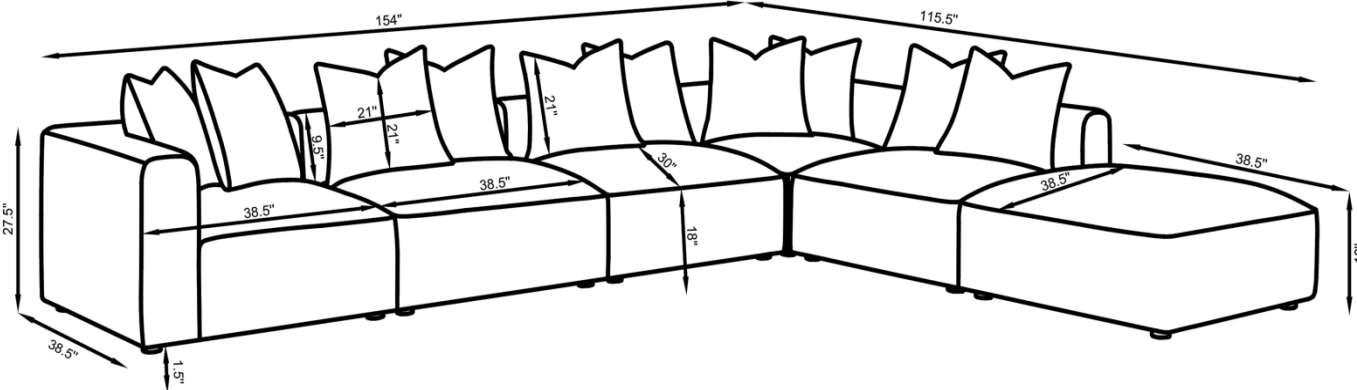
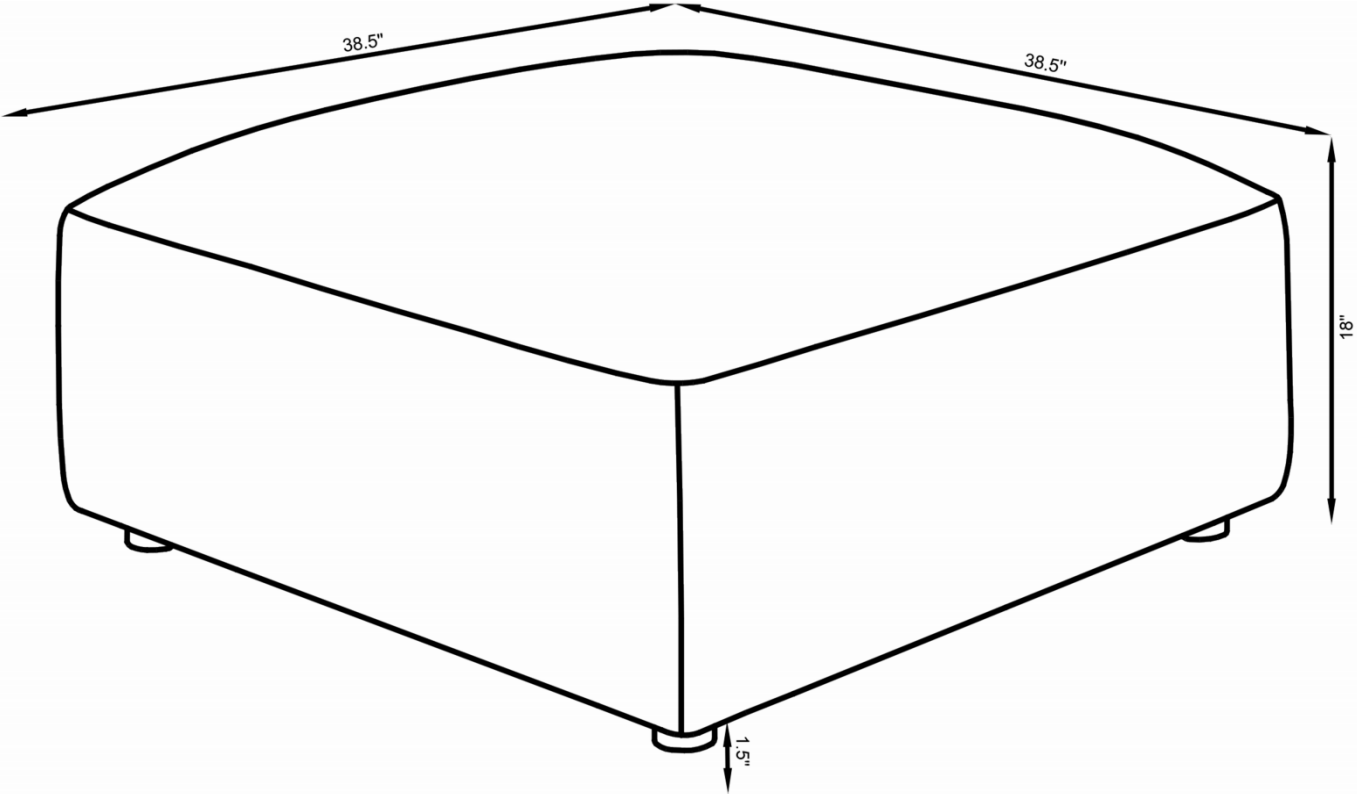


STEP 3

COMPLETE



ITEM: 551593



Note : Dimension tolerance $\pm 5\%$

