



*ASSEMBLY INSTRUCTIONS  
COASTER FINE FURNITURE*



Fine Furniture for every stage of life

**551594**  
**Armless Chair**

ITEM: 551594

## ASSEMBLY INSTRUCTIONS



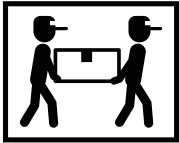
### ASSEMBLY TIPS:

1. Remove hardware from box and sort by size.
2. Please check to see that all hardware and parts are present prior to start of assembly.
3. Please follow attached instructions in the same sequence as numbered to assure fast & easy assembly.



### WARNING!

1. Don't attempt to repair or modify parts that are broken or defective. Please contact the store immediately.
2. This product is for home use only and not intended for commercial establishments.



**ASSEMBLY TIME**

**8 MINUTES**

### PARTS IDENTIFICATION

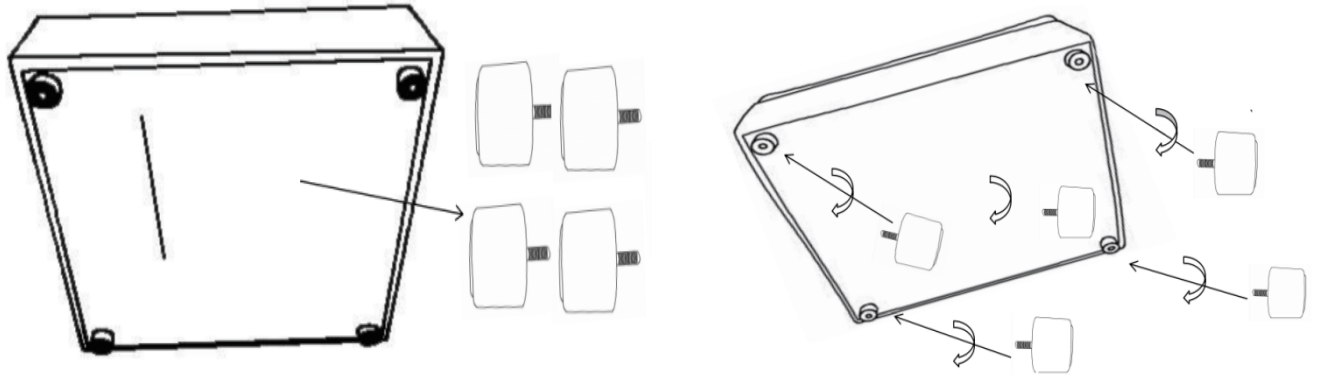
|   | PART NAME  | FIGURE | QUANTITY |
|---|------------|--------|----------|
| A | CHAIR BASE |        | 1PC      |
| B | PILLOW     |        | 2PCS     |
| C | LEG        |        | 4PCS     |

ITEM: 551594

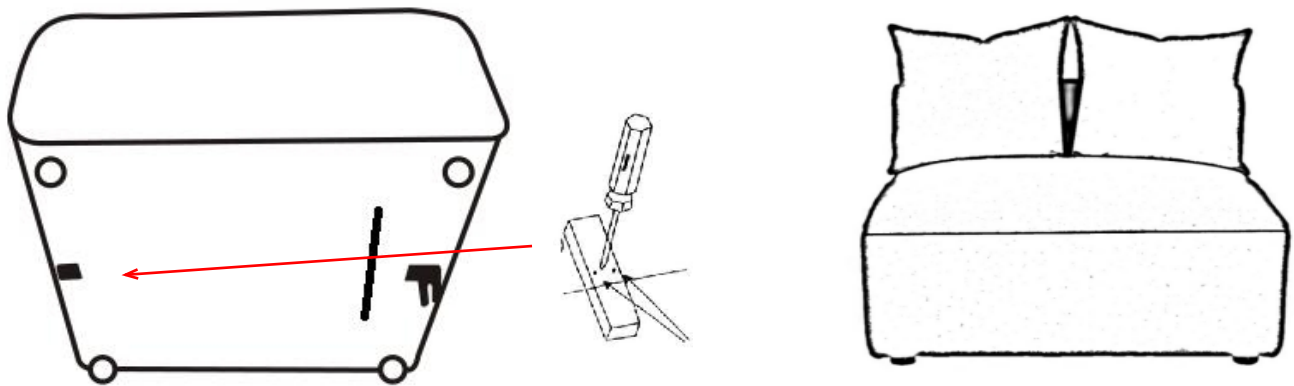


## ASSEMBLY INSTRUCTIONS

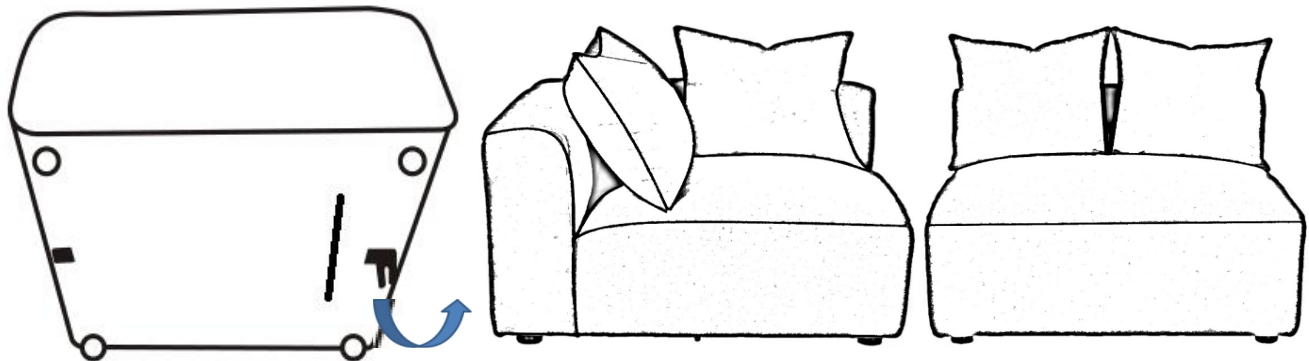
**STEP 1** Turn over the item and take out the legs from zippered pouch and install the legs as pictures show



**STEP 2** Please remove the wood block with screwdriver, do not use a hammer

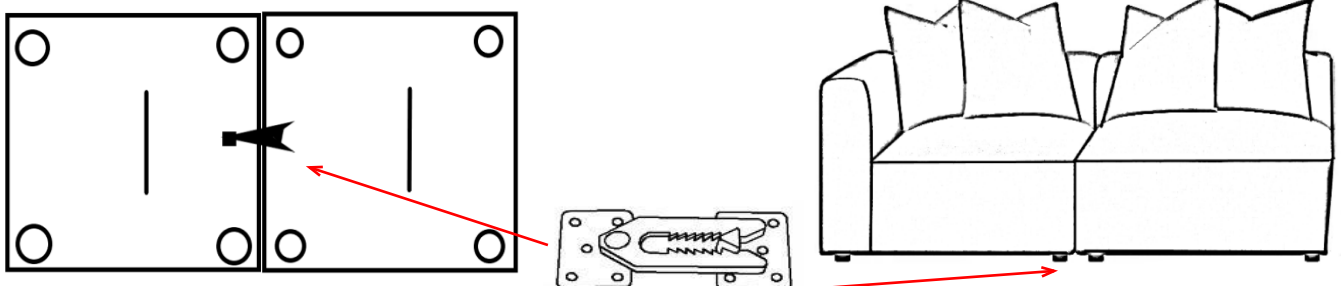


**STEP 3** Rotate the metal clips, put the chair and corner closer

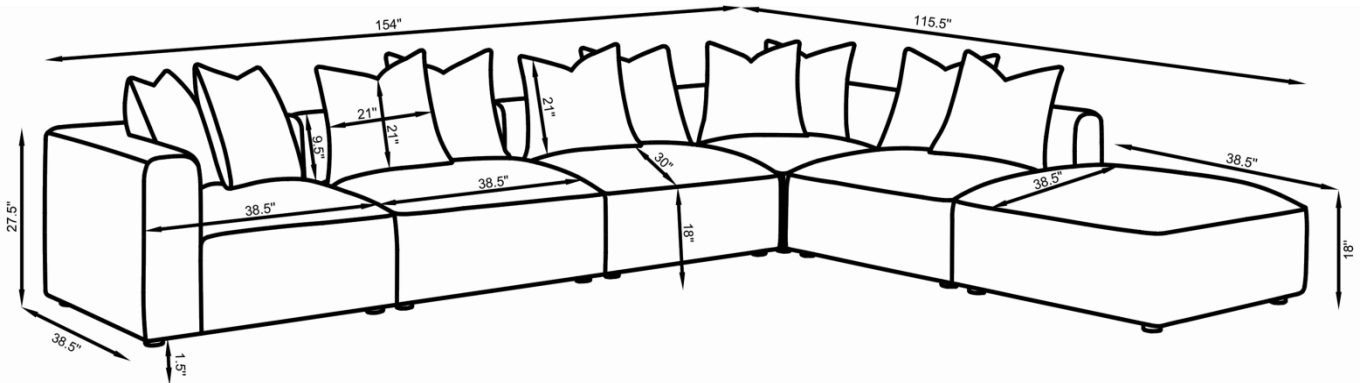
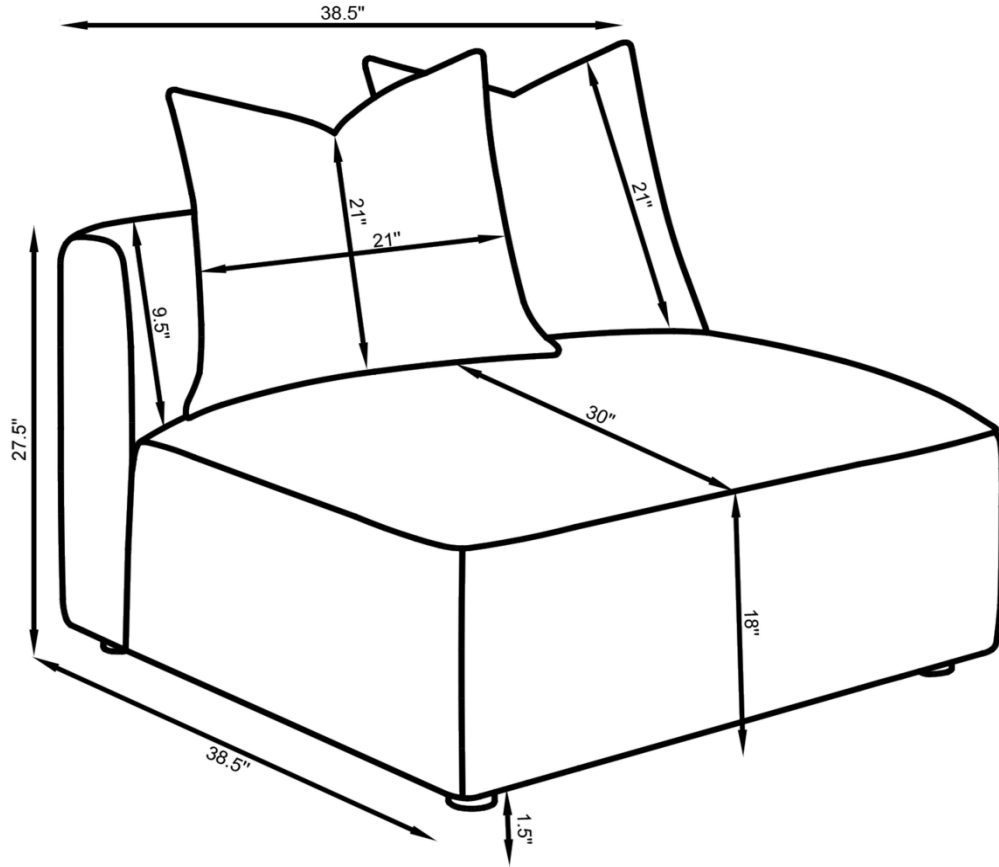


**STEP 4** Insert the metal clips to connect other units as pictures show

COMPLETE



ITEM: 551594



Note : Dimension tolerance  $\pm 5\%$





*ASSEMBLY INSTRUCTIONS  
COASTER FINE FURNITURE*



Fine Furniture for every stage of life

**551595**  
**Corner**

ITEM: 551595

## ASSEMBLY INSTRUCTIONS



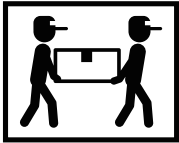
### ASSEMBLY TIPS:

1. Remove hardware from box and sort by size.
2. Please check to see that all hardware and parts are present prior to start of assembly.
3. Please follow attached instructions in the same sequence as numbered to assure fast & easy assembly.



### WARNING!

1. Don't attempt to repair or modify parts that are broken or defective. Please contact the store immediately.
2. This product is for home use only and not intended for commercial establishments.



ASSEMBLY TIME

8 MINUTES

### PARTS IDENTIFICATION

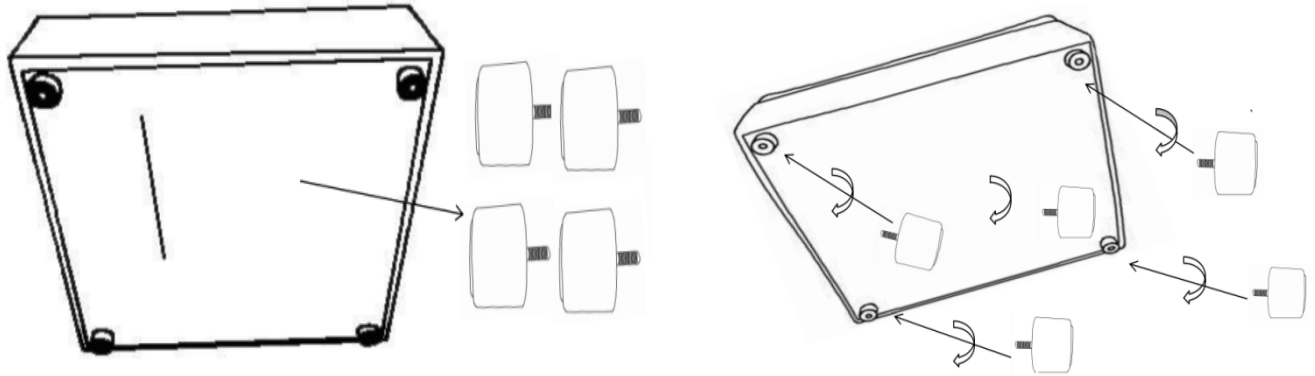
|   | PART NAME   | FIGURE | QUANTITY |
|---|-------------|--------|----------|
| A | CORNER BASE |        | 1PC      |
| B | PILLOW      |        | 2PCS     |
| C | LEG         |        | 4PCS     |

ITEM: 551595

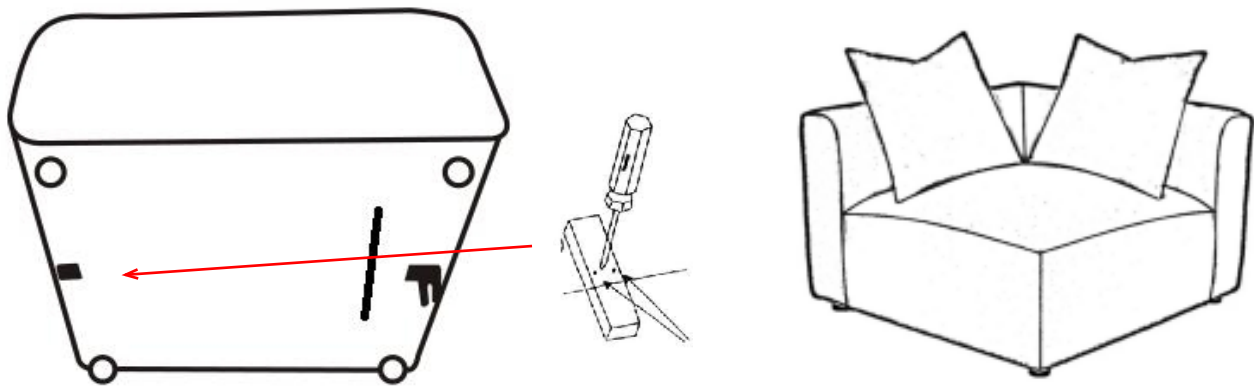


## ASSEMBLY INSTRUCTIONS

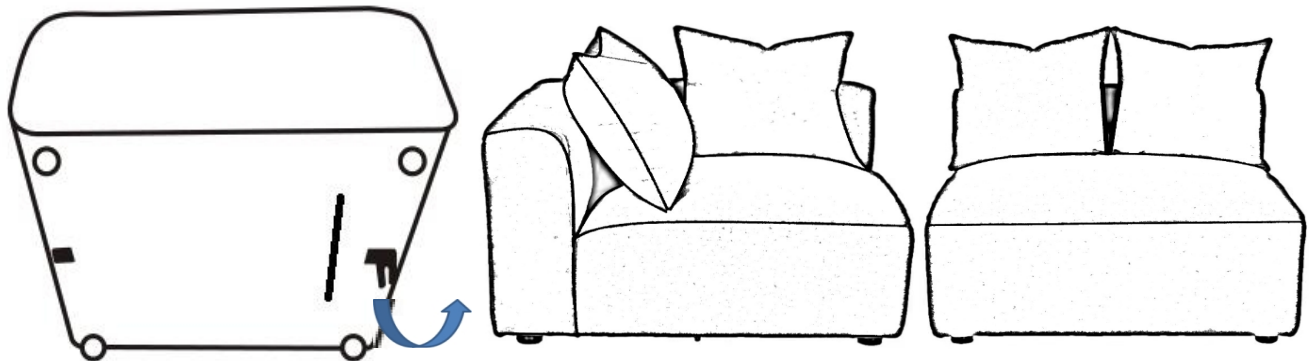
**STEP 1** Turn over the item and take out the legs from zippered pouch and install the legs as pictures show



**STEP 2** Please remove the wood block with screwdriver, do not use a hammer

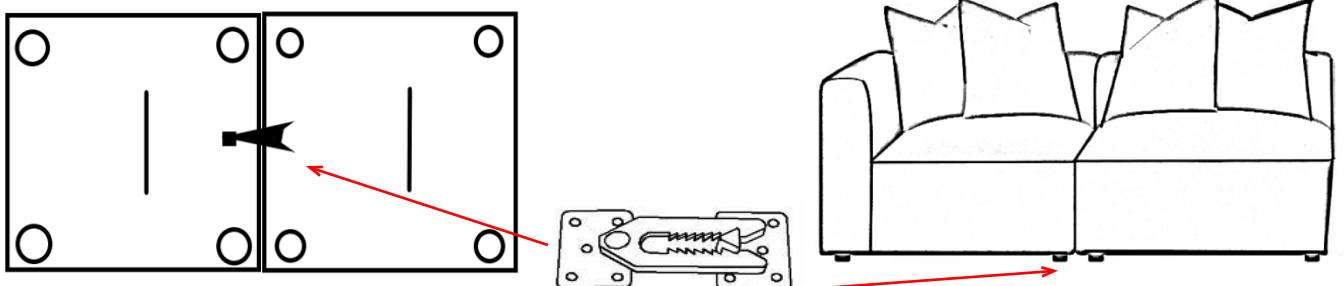


**STEP 3** Rotate the metal clips, put the chair and corner closer

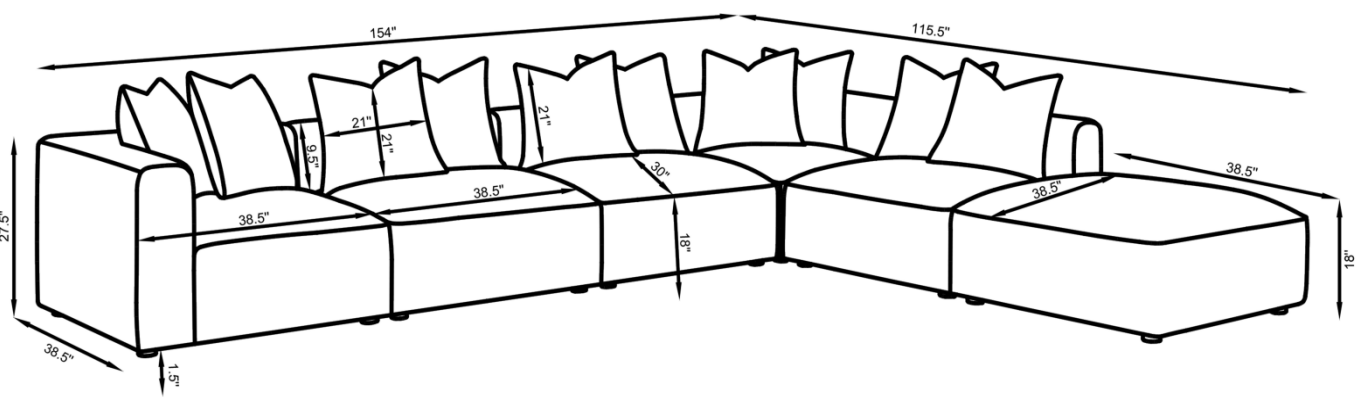
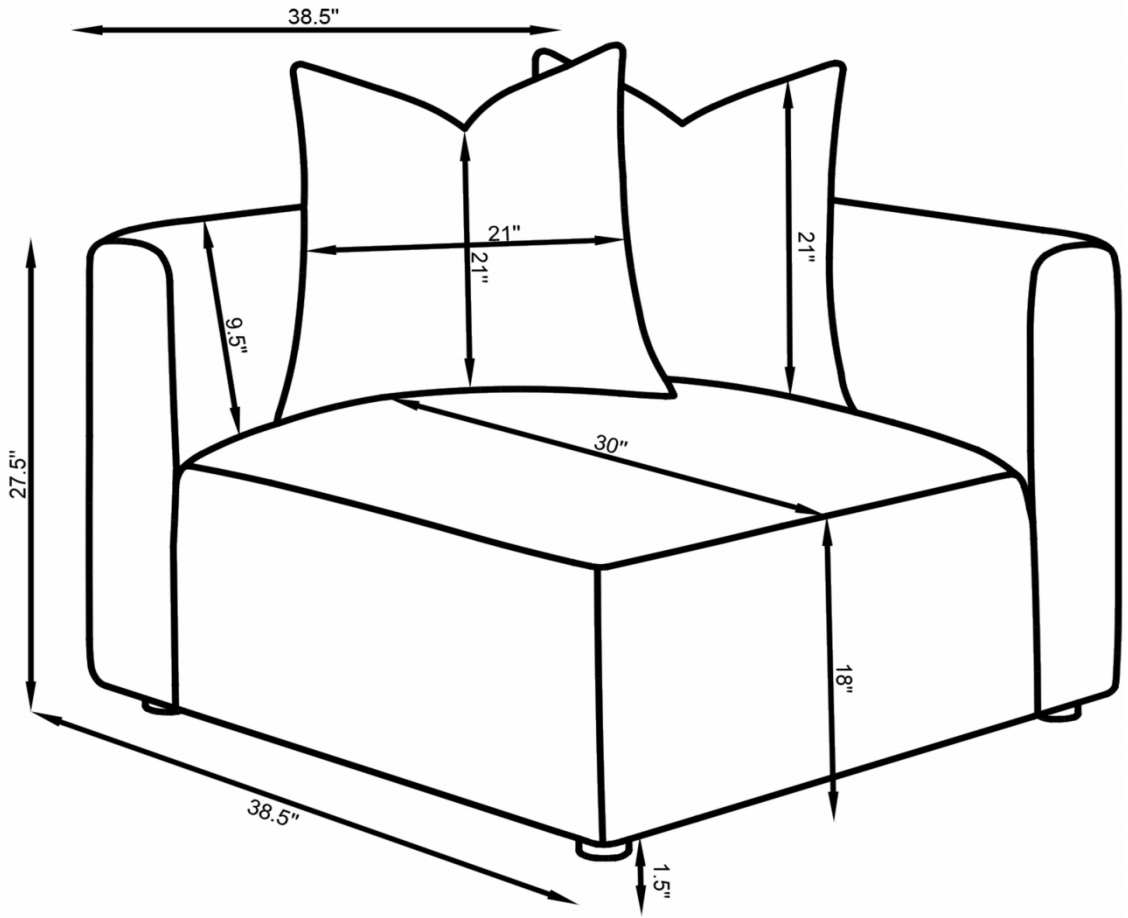


**STEP 4** Insert the metal clips to connect other units as pictures show

COMPLETE



ITEM: 551595



Note : Dimension tolerance  $\pm 5\%$







*ASSEMBLY INSTRUCTIONS  
COASTER FINE FURNITURE*



Fine Furniture for every stage of life

**551596**  
**Ottoman**

ITEM: 551596

## ASSEMBLY INSTRUCTIONS



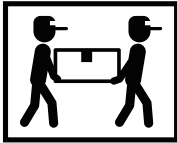
### ASSEMBLY TIPS:

1. Remove hardware from box and sort by size.
2. Please check to see that all hardware and parts are present prior to start of assembly.
3. Please follow attached instructions in the same sequence as numbered to assure fast & easy assembly.



### WARNING!

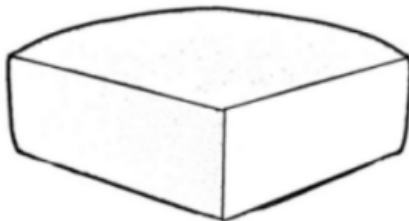
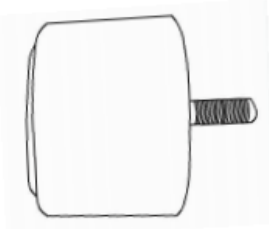
1. Don't attempt to repair or modify parts that are broken or defective. Please contact the store immediately.
2. This product is for home use only and not intended for commercial establishments.



**ASSEMBLY TIME**

**2 MINUTES**

### PARTS IDENTIFICATION

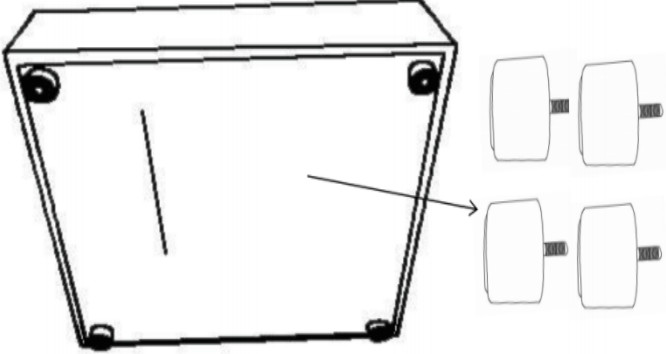
|   | PART NAME    | FIGURE   | QUANTITY |
|---|--------------|--|----------|
| A | OTTOMAN BASE |   | 1PC      |
| B | LEG          |  | 4PCS     |

**ITEM: 551596**

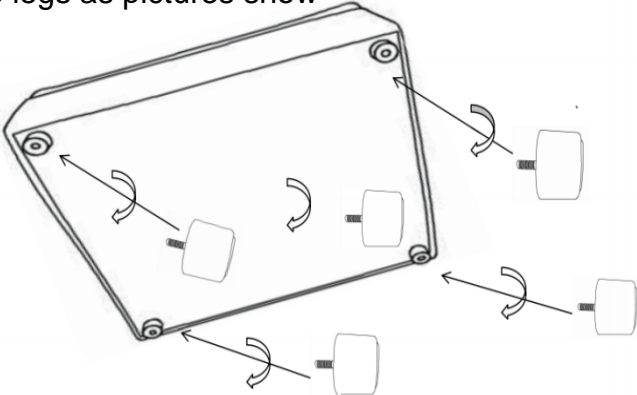


**ASSEMBLY INSTRUCTIONS**

**STEP 1** Take out the legs from zippered pouch

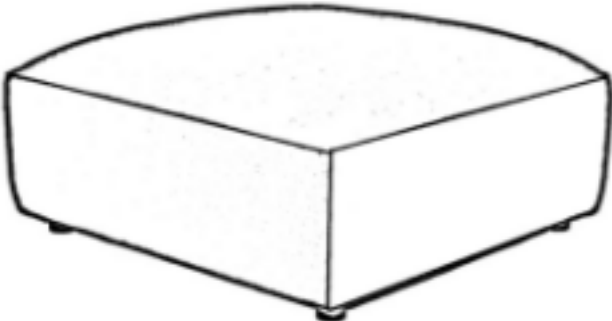


**STEP 2** Install the legs as pictures show

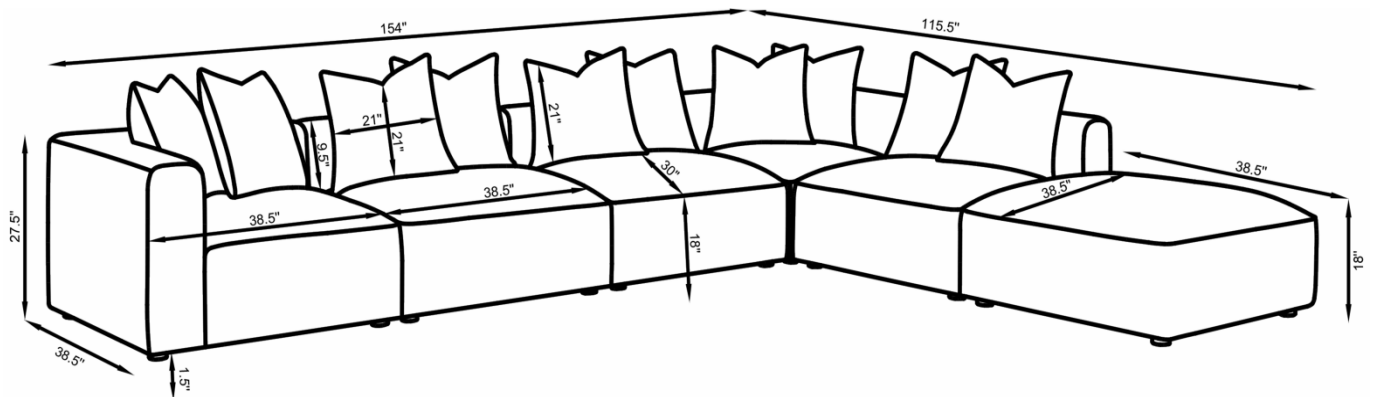
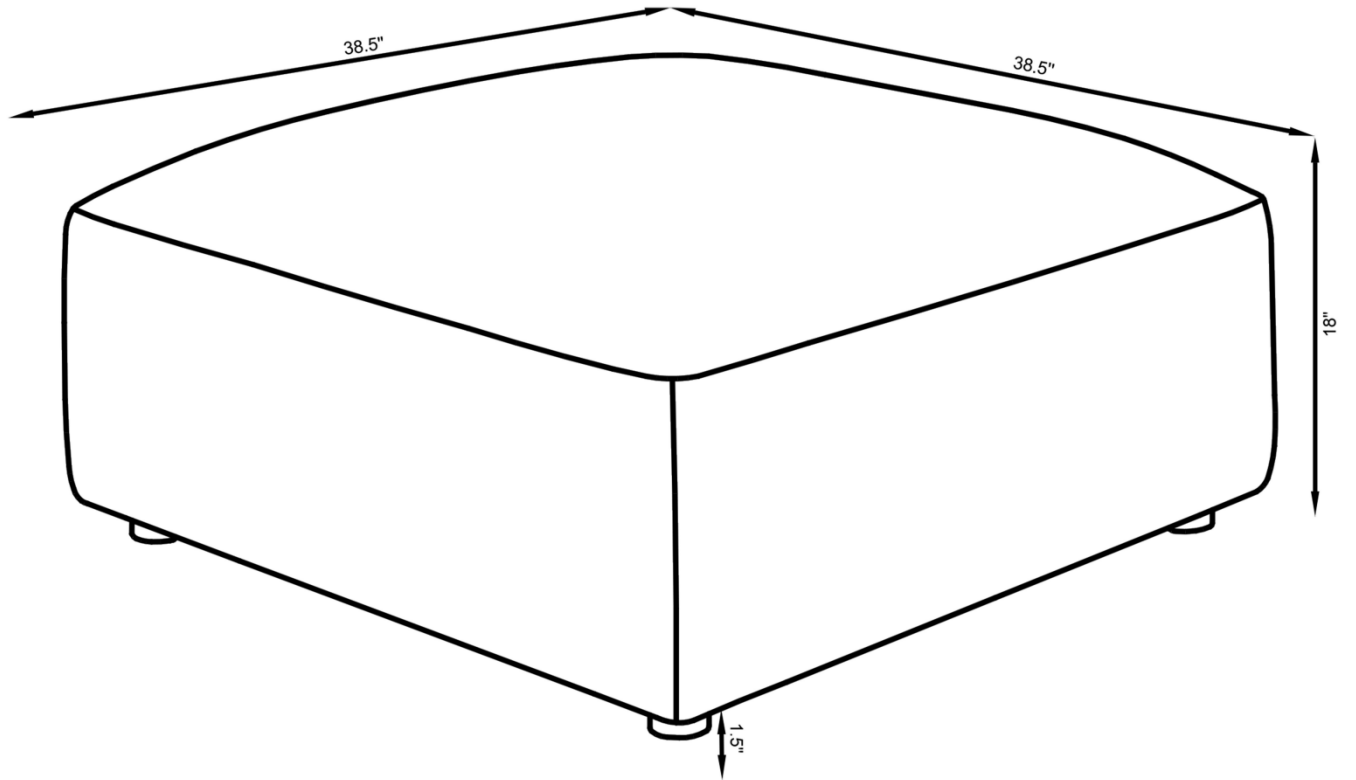


**STEP 3**

COMPLETE



ITEM: 551596



Note : Dimension tolerance  $\pm 5\%$

