



ASSEMBLY INSTRUCTIONS COASTER FINE FURNITURE



Fine Furniture for every stage of life

183436

COUNTER HT STOOL

REVISION 0 : 05/13/2020
REVISION 1 : 07/26/2022
REVISION 2 : 11/15/2023
REVISION 3 : 02/21/2024

PAGE 1 OF 6

COASTERFURNITURE.COM

ITEM: **183436**



ASSEMBLY INSTRUCTIONS

ASSEMBLY TIPS:

1. Remove hardware from box and sort by size.
2. Please check to see that all hardware and parts are present prior to start of assembly.
3. Please follow attached instructions in the same sequence as numbered to assure fast & easy assembly.



WARNING!


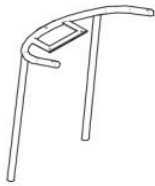

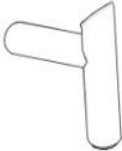


1. Don't attempt to repair or modify parts that are broken or defective. Please contact the store immediately.
2. This product is for home use only and not intended for commercial establishments.



ASSEMBLY TIME

15 MINUTES

PARTS IDENTIFICATION

A	BACK CUSHION		1PC	D	BACK LEG		1PCS
B	SEAT CUSHION		1PCS	E	LEG CONNECTING TUBE		2PCS
C	FRONT LEG		1PCS	F	FOOTREST		1PCS

NOTE:

Quantities shown are for one chair.

Phillips head screw driver is required in the assembly process; however, manufacturer does not provide this item.

ASSEMBLY INSTRUCTIONS

ASSEMBLY TIPS:

1. Remove hardware from box and sort by size.
2. Please check to see that all hardware and parts are present prior to start of assembly.
3. Please follow attached instructions in the same sequence as numbered to assure fast & easy assembly.



WARNING!











1. Don't attempt to repair or modify parts that are broken or defective. Please contact the store immediately.
2. This product is for home use only and not intended for commercial establishments.



ASSEMBLY TIME

15 MINUTES

HARDWARE IDENTIFICATION

1	ALLEN KEY (6MM)		1PC	6	ALLEN SCREW (M6*25)		4PCS
2	ALLEN KEY (4MM)		1PC	7	ALLEN SCREW (M6*35)		2PCS
3	WRENCH SOCKET (M14#1.2)		1PCS	8	ALLEN SCREW (M8*30)		2PCS
4	ALLEN SCREW (M6*10)		2PCS	9	ALLEN SCREW (M6*40)		1PCS
5	ALLEN SCREW (M6*16)		2PCS	10	MESON (ø6*16*1.2)		1PCS

Quantities shown are for one chair.

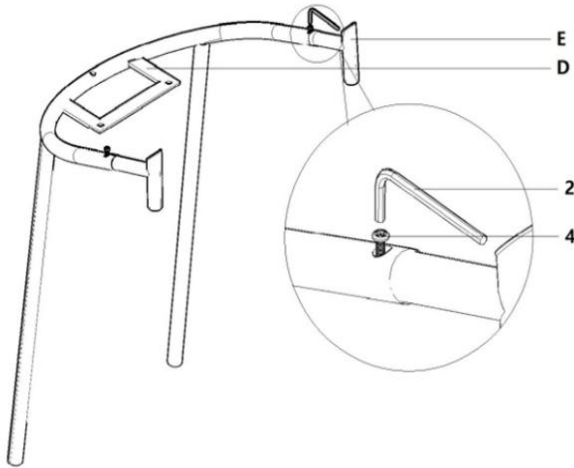
Phillips head screw driver is required in the assembly process; however, manufacturer does not provide this item.

ITEM: **183436**

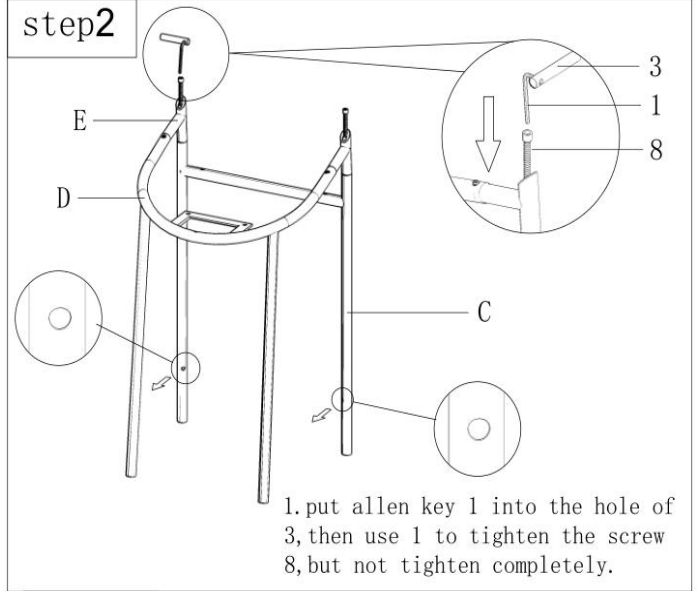


ASSEMBLY INSTRUCTIONS

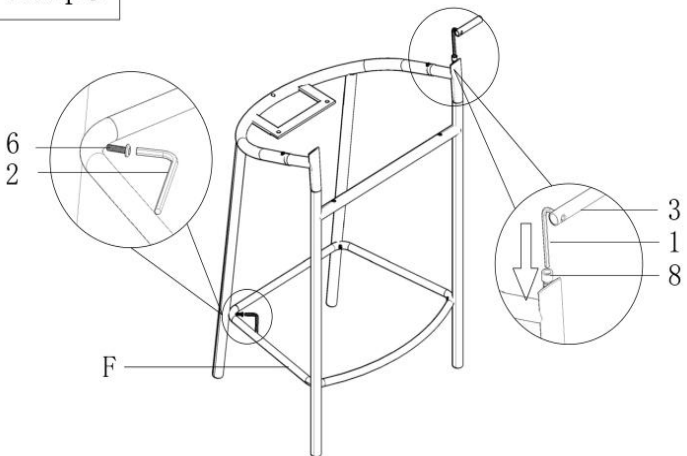
step1



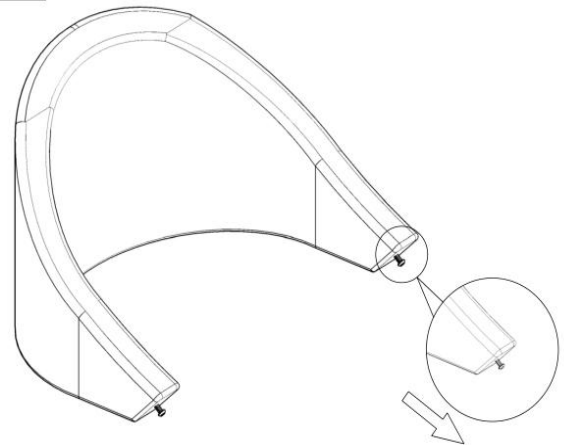
step2



step3



step4



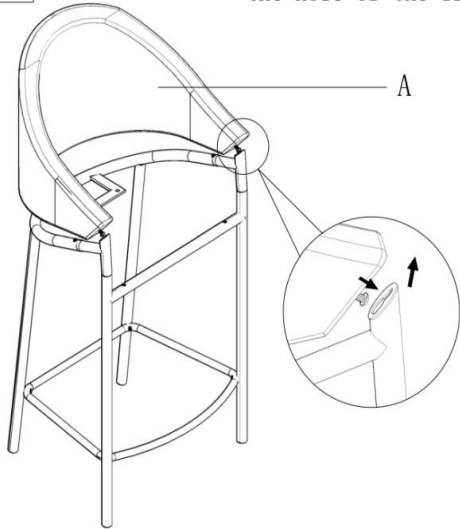
ITEM: **183436**



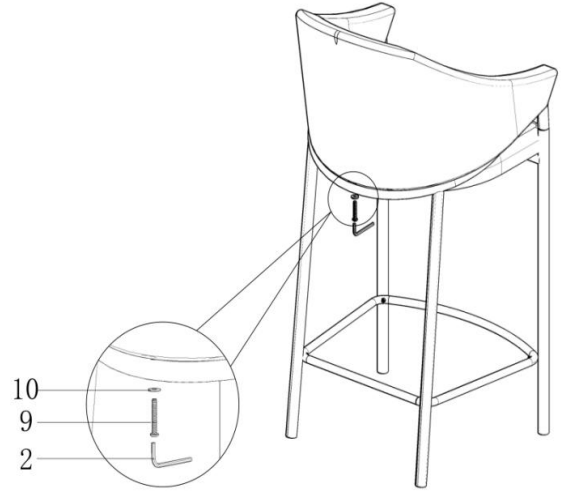
ASSEMBLY INSTRUCTIONS

step5

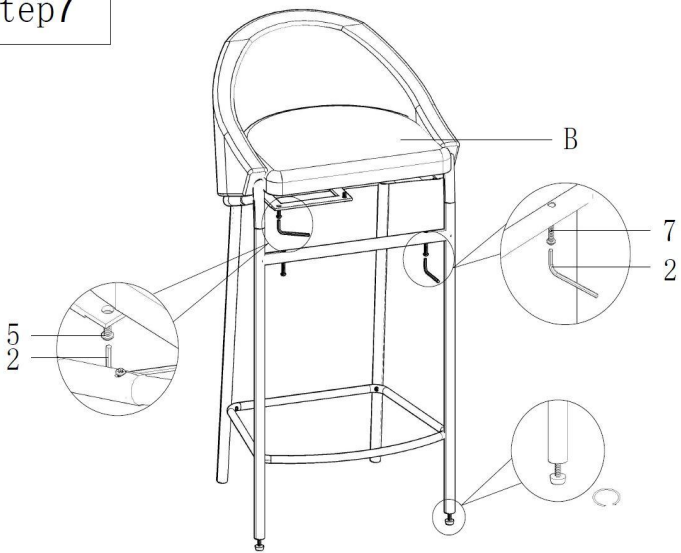
insert the screw head into the hole of the frame.



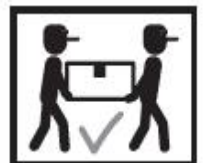
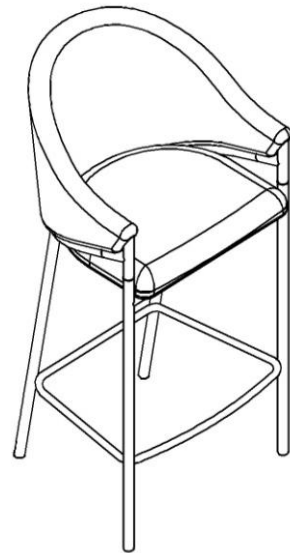
step6



step7



COMPLETE



ITEM: **183436**

