

**ASSEMBLY INSTRUCTIONS**  
**COASTER FINE FURNITURE**



*Fine Furniture for every stage of life*

**800046**  
**OFFICE CHAIR**

REVISION 0:12/05/2018  
REVISION 1:05/16/2019  
REVISION 2:11/02/2019  
REVISION 3:01/06/2020  
REVISION 4:05/08/2021  
REVISION 5:07/18/2022

ITEM :800046



# ASSEMBLY INSTRUCTIONS

## ASSEMBLY TIPS:

- 1.Remove hardware from box and sort by size.
- 2.Please check to see that all hardware and parts are present prior to start of assembly.
- 3.Please follow attached instructions in the same sequence as numbered to assure fast & easy assembly.



### WARNING !

- 1.Don't attempt to repair or modify parts that are broken or defective. Please contact the store immediately.
- 2.This product is for home ues only and not intended for commercial establishments.



ASSEMBLY TIME 20 MINUTES

## PARTS IDENTIFICATION

A		BACK	1PC
B		SEAT	1PC
C		RIGHT ARMREST	1PC
D		LEFT ARMREST	1PC
E		MECHANISM	1PC
F		GAS LIFT COVER	1PC
G		GAS LIFT	1PC
H		BASE	1PC
I		CASTER	5PCS

## HARDWARE IDENTIFICATION

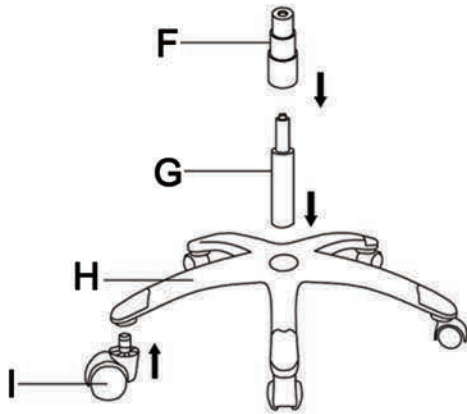
NO	DESCRIPTION	FIGURE	Q'TY
1	LONG BOLT	M6*25	8PCS
2	SHORT BOLT	M6*20	4PCS
3	ALLEN WRENCH	M6	1PC
4	CAP		8PCS
5	WASHER	M6*18*1.2	4PCS

ITEM:800046

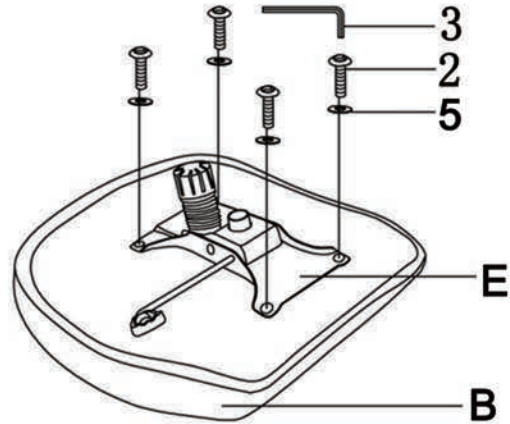


# ASSEMBLY INSTRUCTIONS

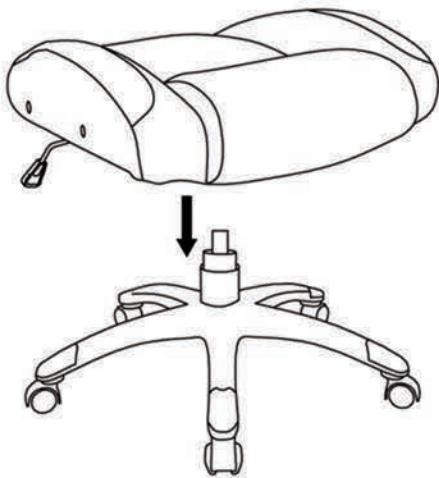
## STEP1



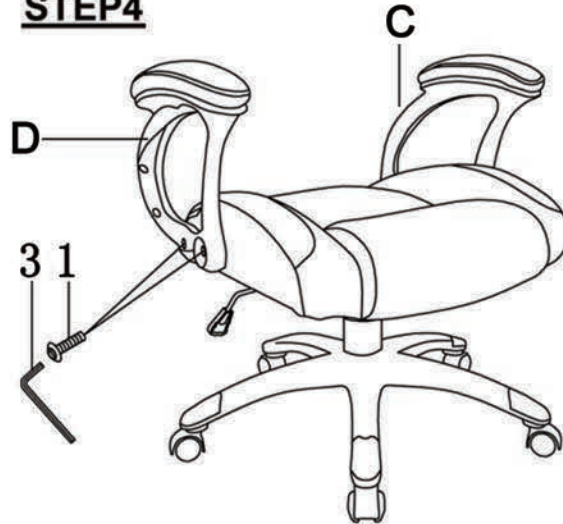
## STEP2



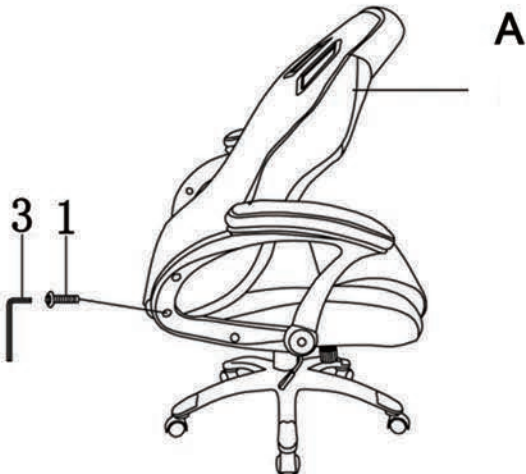
## STEP3



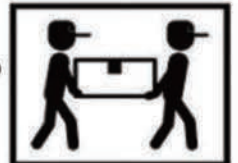
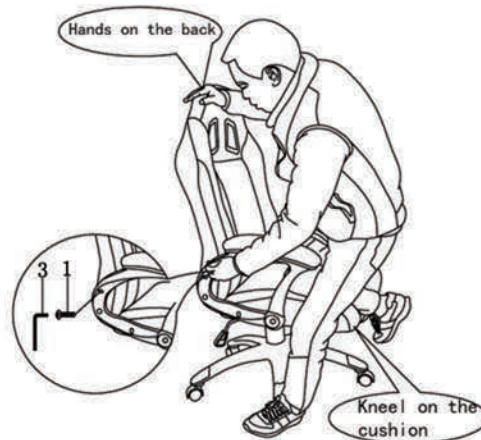
## STEP4



## STEP5



## STEP6



ITEM:800046



# ASSEMBLY INSTRUCTIONS

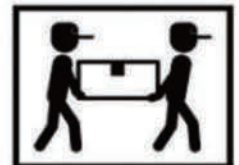
## STEP 7



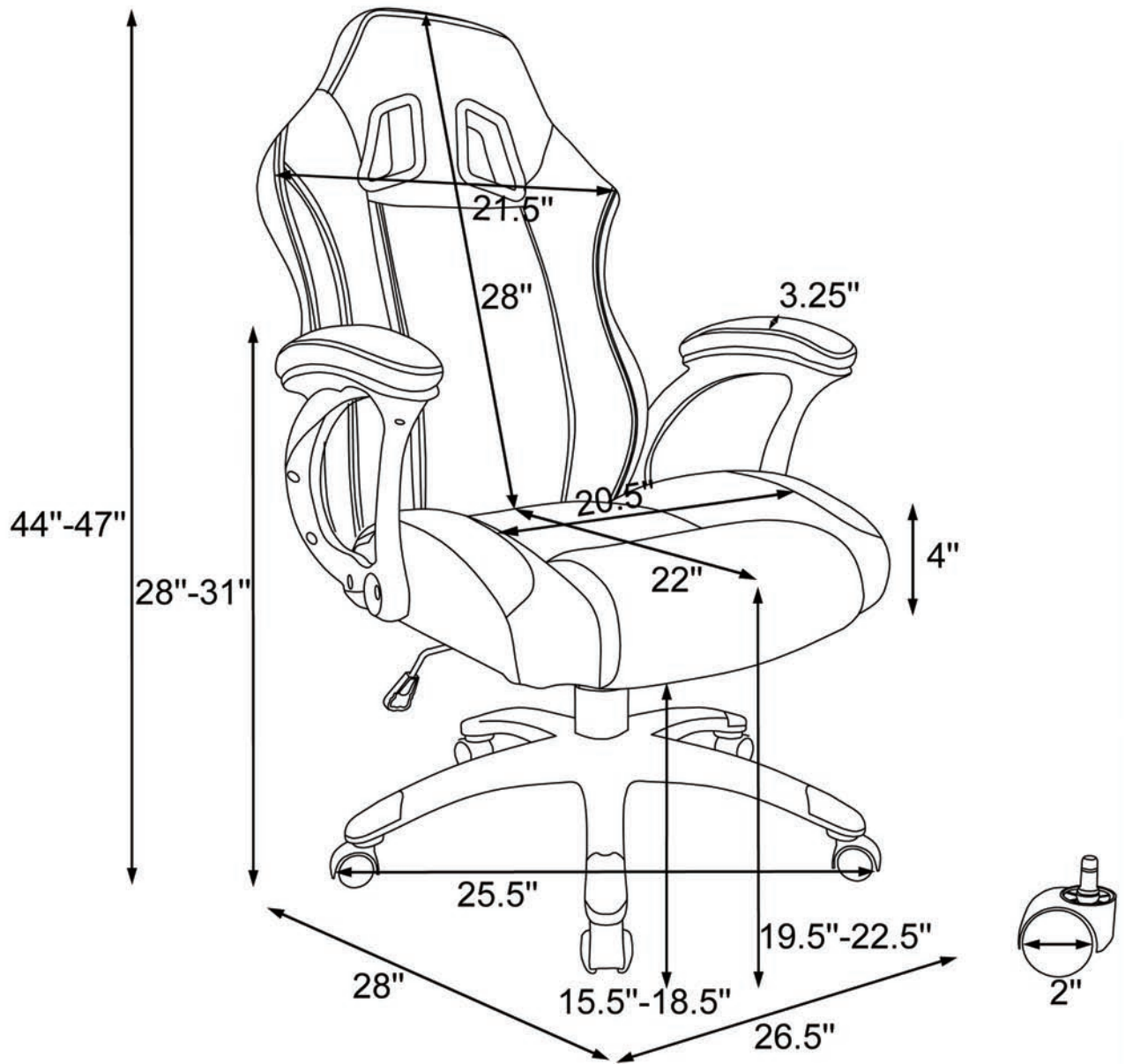
## STEP 8



## STEP 9



ITEM: 800046



Note : Dimension tolerance  $\pm 5\%$