

**ASSEMBLY INSTRUCTIONS**  
**COASTER FINE FURNITURE**



*Fine Furniture for every stage of life*

**800206**  
**OFFICE CHAIR**

REVISION 0:07/13/2011  
REVISION 1:06/05/2019  
REVISION 2:11/05/2019  
REVISION 3:01/06/2020  
REVISION 4:08/24/2021  
REVISION 5:07/18/2022

# ASSEMBLY INSTRUCTIONS

**ASSEMBLY TIPS:**

- 1.Remove hardware from box and sort by size.
- 2.Please check to see that all hardware and parts are present prior to start of assembly.
- 3.Please follow attached instructions in the same sequence as numbered to assure fast & easy assembly.












**WARNING !**

- 1.Don't attempt to repair or modify parts that are broken or defective. Please contact the store immediately.
- 2.This product is for home ues only and not intended for commercial establishments.



**ASSEMBLY TIME 20 MINUTES**

## PARTS IDENTIFICATION

- A  **BACK** **1PC**
- B  **SEAT** **1PC**
- C  **LEFT ARMREST(SITTING) 1PC**
- D  **RIGHT ARMREST(SITTING) 1PC**
- E  **MECHANISM** **1PC**
- F  **GAS LIFT** **1PC**
- G  **BACK** **1PC**
- H  **BASE** **1PC**
- I  **CASTER** **5PCS**

## HARDWARE IDENTIFICATION

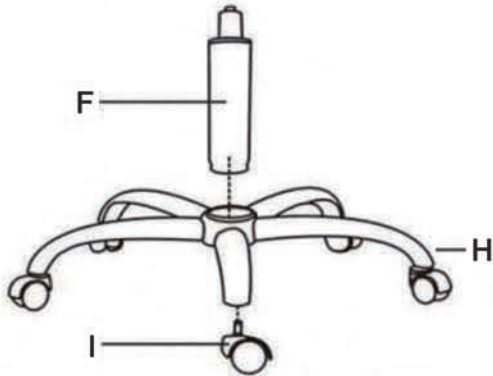
NO	DESCRIPTION	FIGURE	Q'TY
1	BOLTS M6X20MM		12PCS
2	BOLTS M6X30MM		4PCS
3	WASHER M6X18X1.5MM		14PCS
4	ALLEN WRENCH		1PC

ITEM:800206

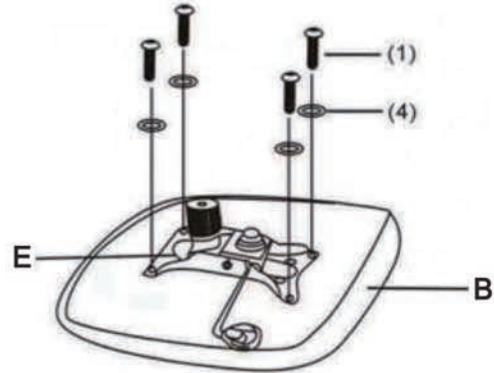


# ASSEMBLY INSTRUCTIONS

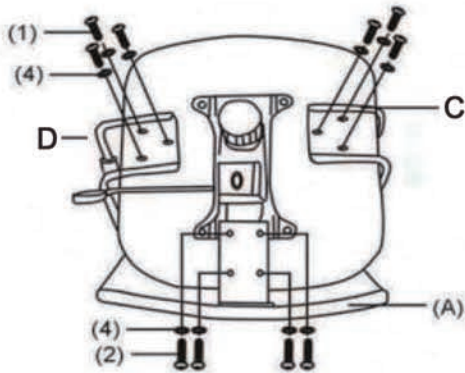
## STEP1



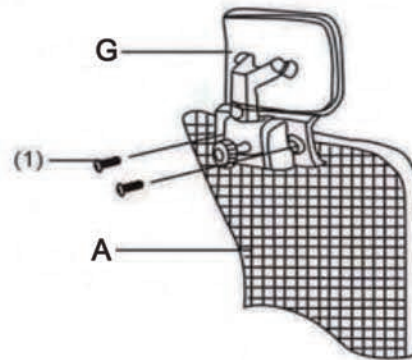
## STEP2



## STEP3



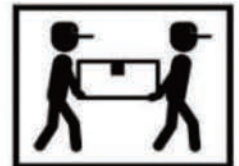
## STEP4



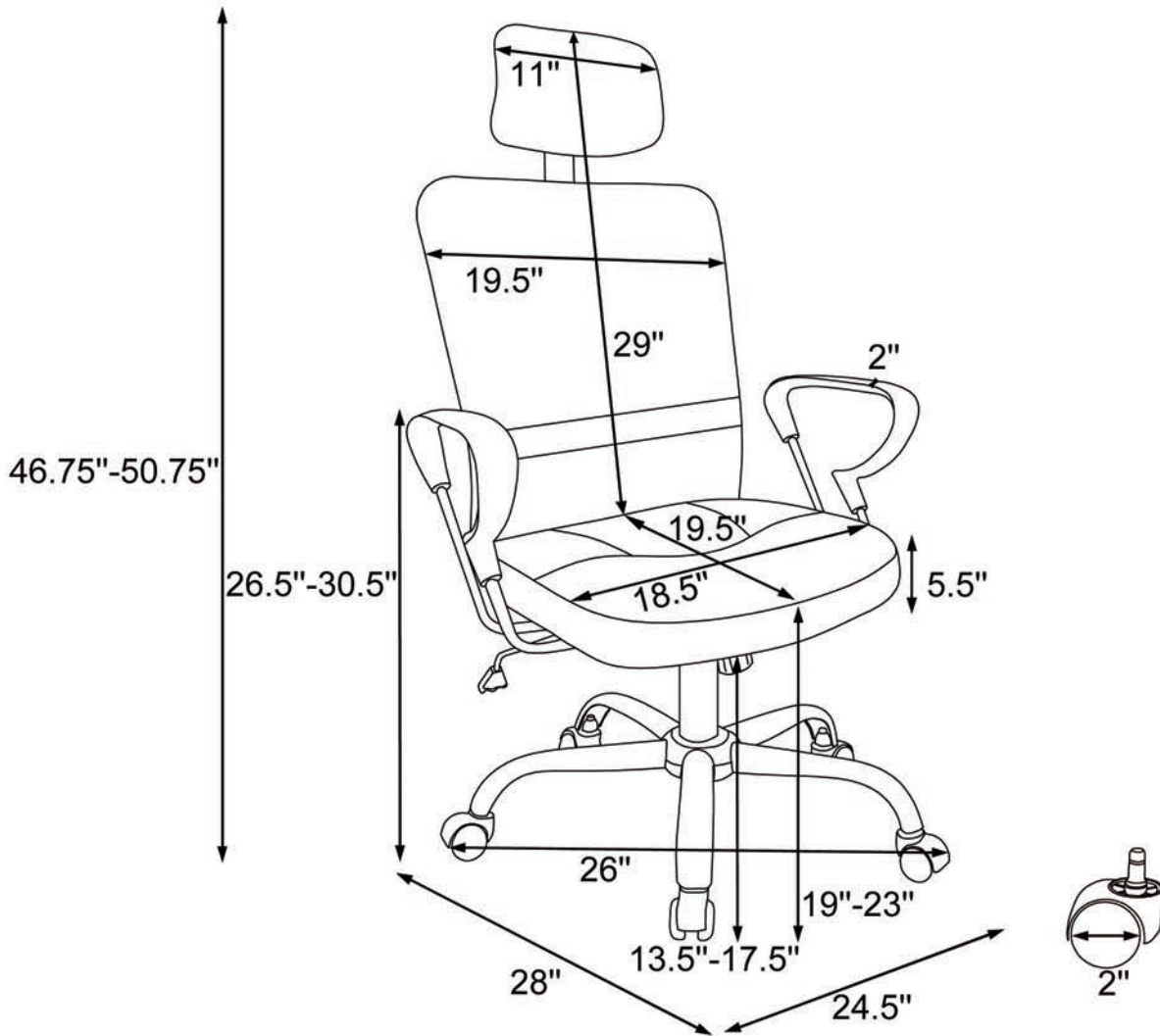
## STEP5



## STEP6



ITEM:800206



Note : Dimension tolerance  $\pm 5\%$