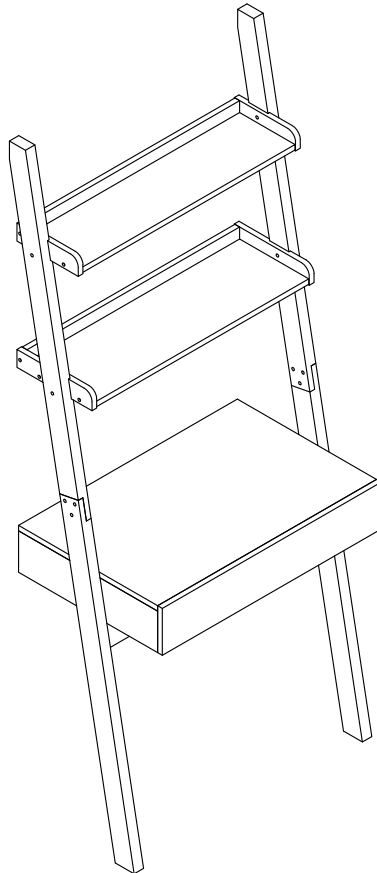


ASSEMBLY INSTRUCTIONS
COASTER FINE FURNITURE



Fine Furniture for every stage of life

801373
Ladder Desk

ITEM:801373



ASSEMBLY INSTRUCTIONS

ASSEMBLY TIPS:

- 1.Remove hardware from box and sort by size.
- 2.Please check to see that all hardware and parts are present prior to start of assembly.
- 3.Please follow attached instructions in the same sequence as numbered to assure fast & easy assembly.

Warning !!

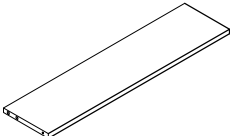
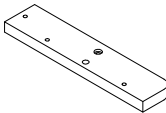
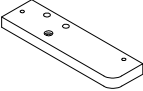
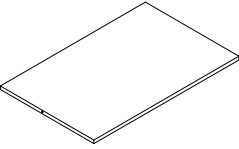
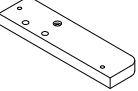
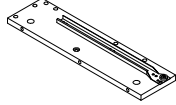
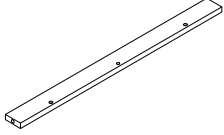
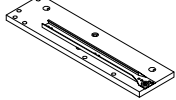
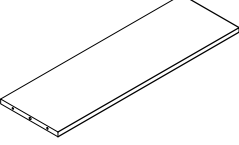
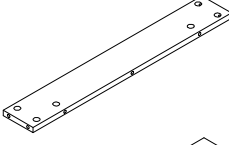
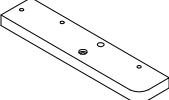
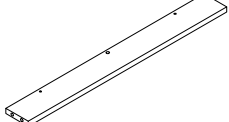
1. Don't attempt to repair or modify parts that are broken or defective. Please contact the store immediately.
2. This product is for home use only and not intended for commercial establishment.



ASSEMBLY TIME

30 MINUTES

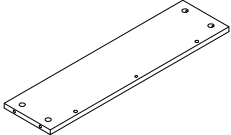
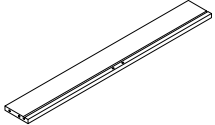
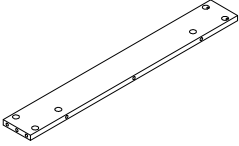
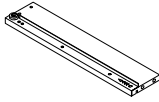
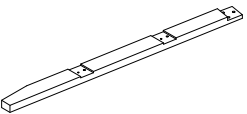
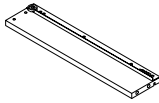
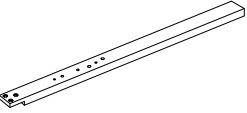
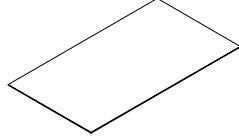
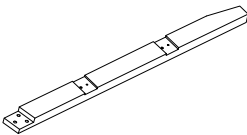
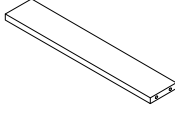
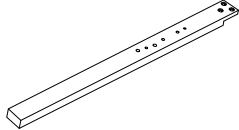
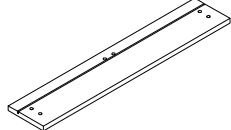
PARTS IDENTIFICATION

| | | | | | |
|--------------------------|---|-------|--------------------------|---|------|
| (A) UPPER SHELF |  | 1 PC | (G) LOWER RIGHT CROSSBAR |  | 1 PC |
| (B) UPPER LEFT CROSSBAR |  | 1 PC | (H) TOP |  | 1 PC |
| (C) UPPER RIGHT CROSSBAR |  | 1 PC | (I) LEFT SIDE PANEL |  | 1 PC |
| (D) BACK CROSSBAR |  | 2 PCS | (J) RIGHT SIDE PANEL |  | 1 PC |
| (E) LOWER SHELF |  | 1 PC | (K) BACK PANEL |  | 1 PC |
| (F) LOWER LEFT CROSSBAR |  | 1 PC | (L) REAR BOTTOM CROSSBAR |  | 1 PC |

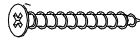


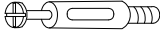


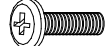





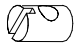
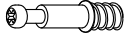



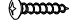
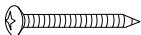
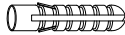


ITEM:801373



PARTS IDENTIFICATION

| | | | | | |
|----------------------------|---|------|-----------------------------|---|------|
| (M) FRONT BOTTOM CROSSBAR |  | 1 PC | (S) DRAWER BACK PANEL |  | 1 PC |
| (N) MEDIUM BOTTOM CROSSBAR |  | 1 PC | (T) DRAWER LEFT SIDE PANEL |  | 1 PC |
| (O) LEFT UPPER POST |  | 1 PC | (U) DRAWER RIGHT SIDE PANEL |  | 1 PC |
| (P) LEFT LOWER POST |  | 1 PC | (V) DRAWER BOTTOM PANEL |  | 1 PC |
| (Q) RIGHT UPPER POST |  | 1 PC | (A1) DRAWER BOTTOM SUPPORT |  | 1 PC |
| (R) RIGHT LOWER POST |  | 1 PC | (A2) DRAWER FRONT PANEL |  | 1 PC |

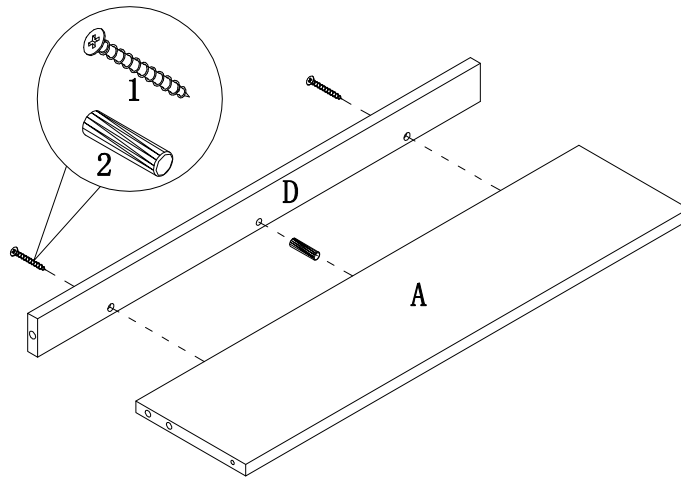
HARDWARE IDENTIFICATION

| | | | | |
|----|-------------------------|----------------|---|--------|
| 1 | LARGE SCREW | φ4x30mm |  | 26 pcs |
| 2 | SHORT DOWEL | Ø8x25mm |  | 11 pcs |
| 3 | SMALL STICKER | φ13mm |  | 18 pcs |
| 4 | LARGE CAMBOLT | L29mm |  | 24 pcs |
| 5 | LARGE CAMLOCK | φ15mm |  | 24 pcs |
| 6 | INNER THREAD SCREW | M6mm |  | 6 pcs |
| 7 | LARGE FLAT HEADED SCREW | M6x20mm |  | 10 pcs |
| 8 | LARGE STICKER | φ20mm |  | 18 pcs |
| 9 | METAL CONNECTING PIECE | 170x24x3mm(BK) |  | 2 pcs |
| 10 | SMALL FLAT HEADED SCREW | M6x12mm(BK) |  | 8 pcs |
| 11 | ALLEN BOLT | M6x65mm |  | 6 pcs |
| 12 | WASHER | φ8xφ16x2mm |  | 6 pcs |
| 13 | BARREL NUT | M6x11mm |  | 6 pcs |
| 14 | SMALL CAMBOLT | L20mm |  | 4 pcs |
| 15 | SMALL CAMLOCK | φ12mm |  | 4 pcs |
| 16 | LONG DOWEL | φ6x30mm |  | 2 pcs |
| 17 | ANTI-TIP HARDWARE | |  | 1 pcs |
| 18 | SMALL SCREW | φ4x25mm |  | 1 pcs |
| 19 | WALL SCREW | φ5x40mm |  | 1 pcs |
| 20 | PLASTIC ANCHOR | φ8x40mm |  | 1 pcs |
| 21 | ALLEN WRENCH | M4mm |  | 1 pcs |
| 22 | BRACKET | 12x12x1mm |  | 2 pcs |

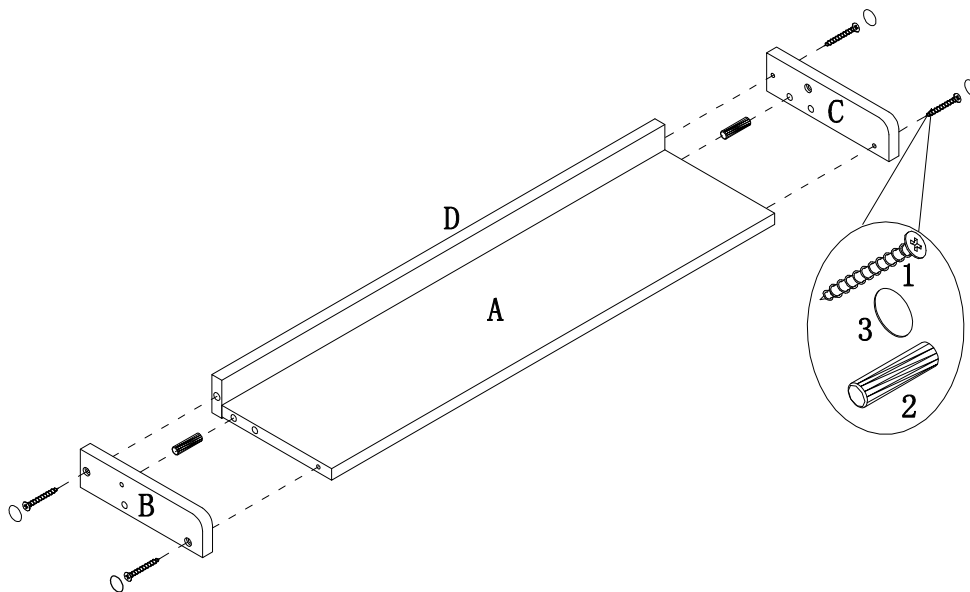
ITEM: **801373**

ASSEMBLY INSTRUCTIONS

STEP 1



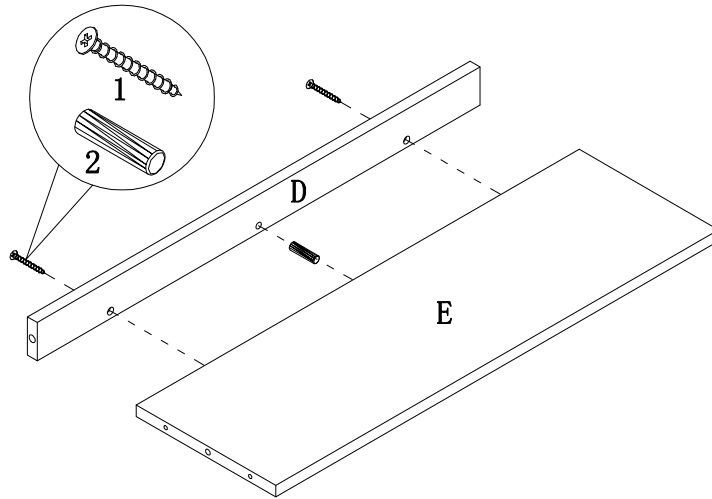
STEP 2



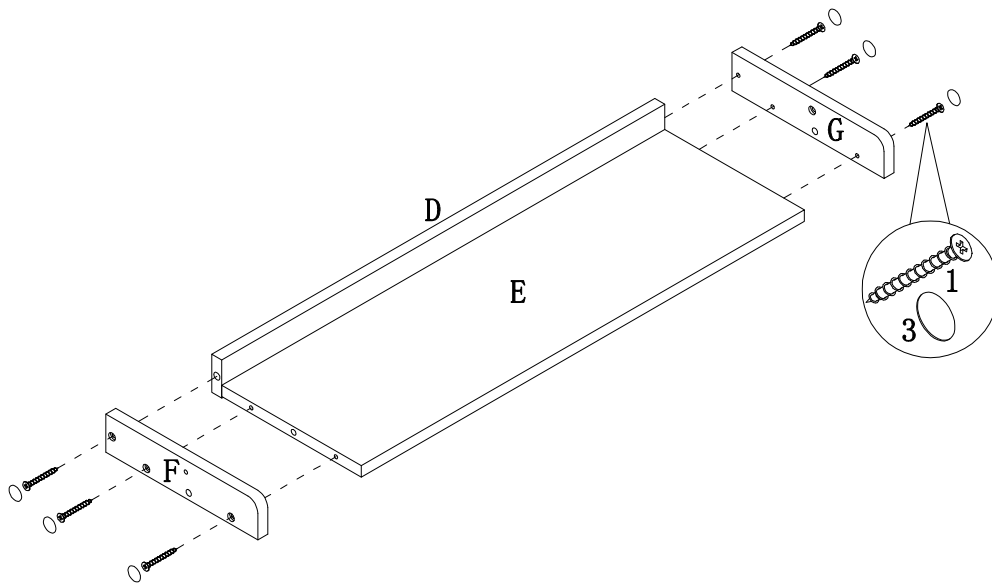
ITEM: **801373**

ASSEMBLY INSTRUCTIONS

STEP 3



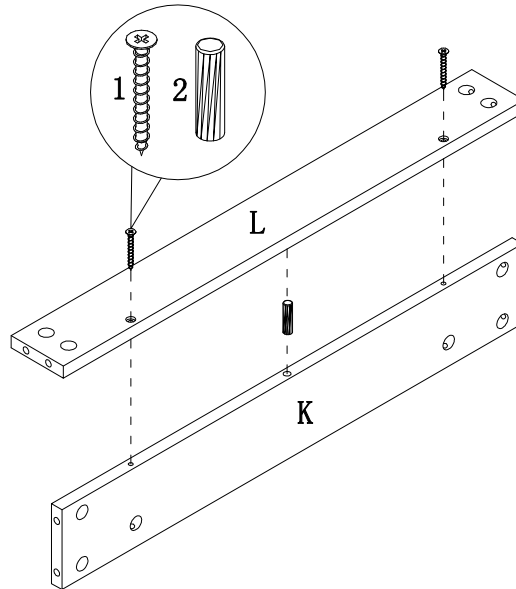
STEP 4



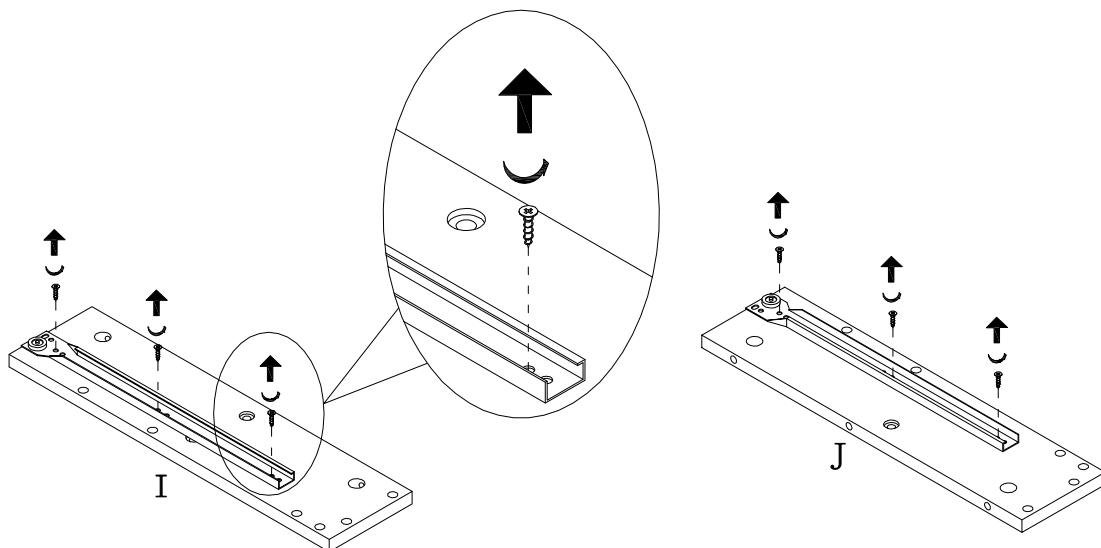
ITEM: 801373

ASSEMBLY INSTRUCTIONS

STEP 5



STEP 6

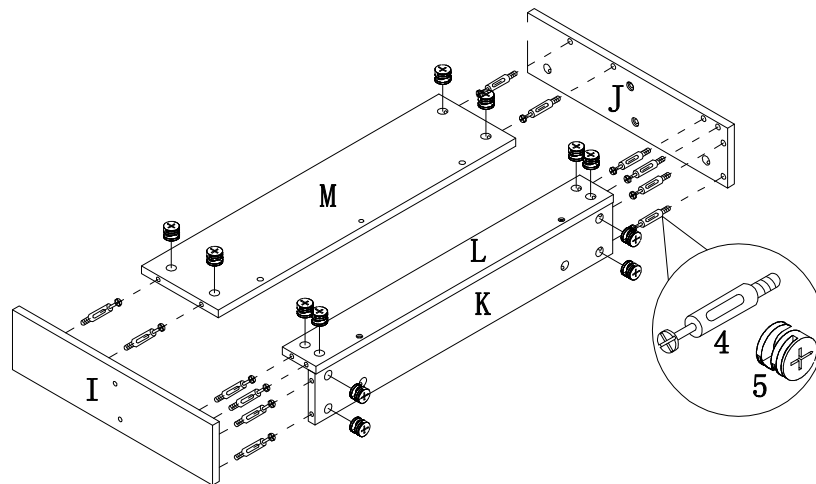


ITEM:801373

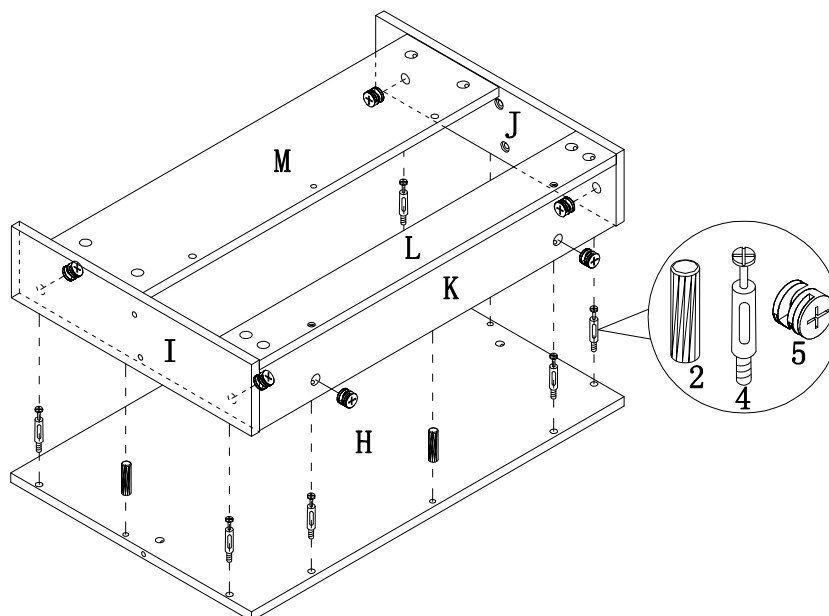


ASSEMBLY INSTRUCTIONS

STEP 7



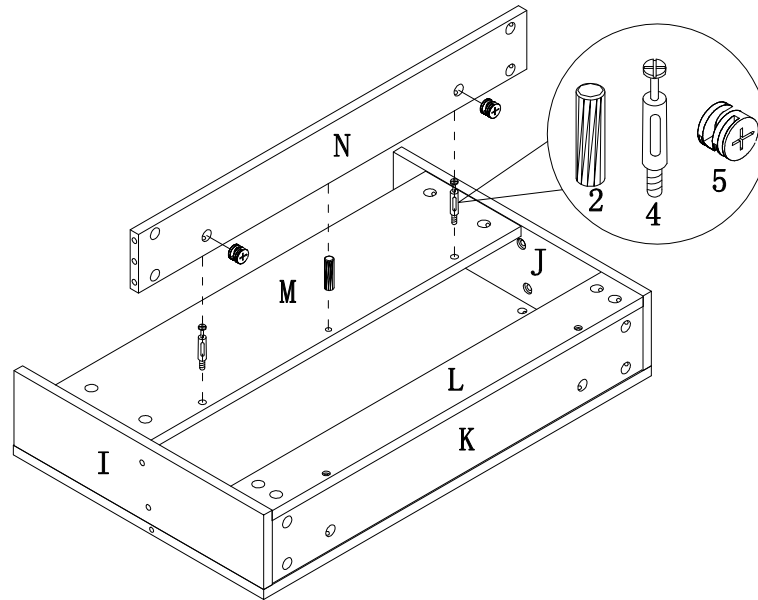
STEP 8



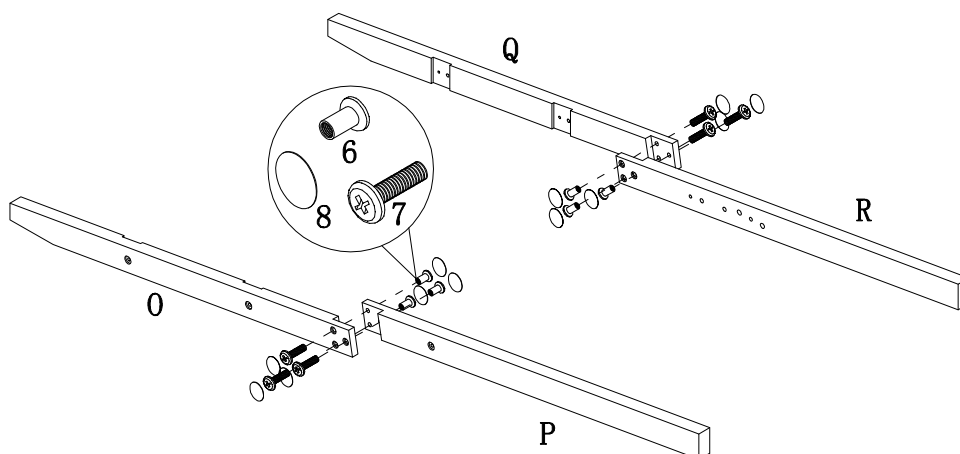
ITEM: **801373**

ASSEMBLY INSTRUCTIONS

STEP 9



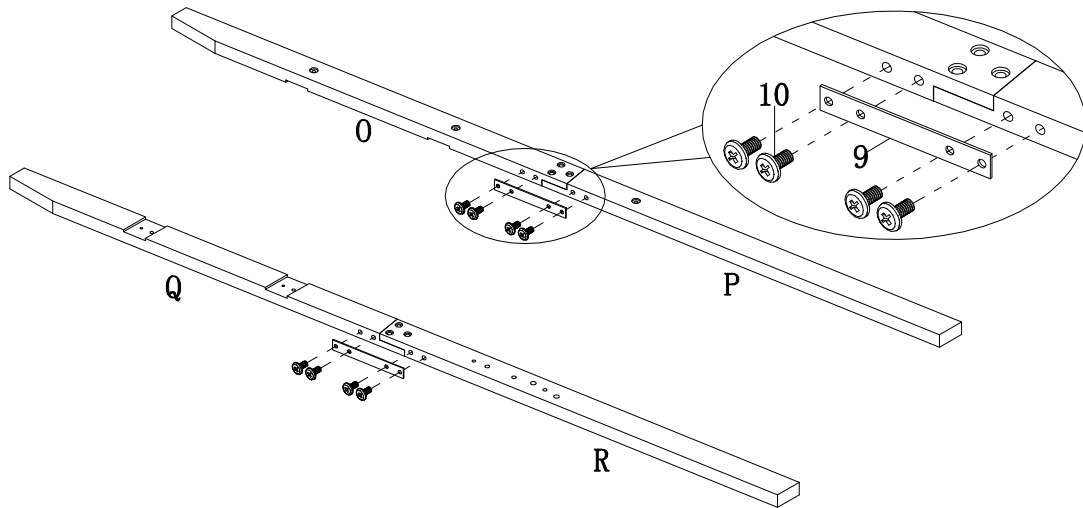
STEP 10



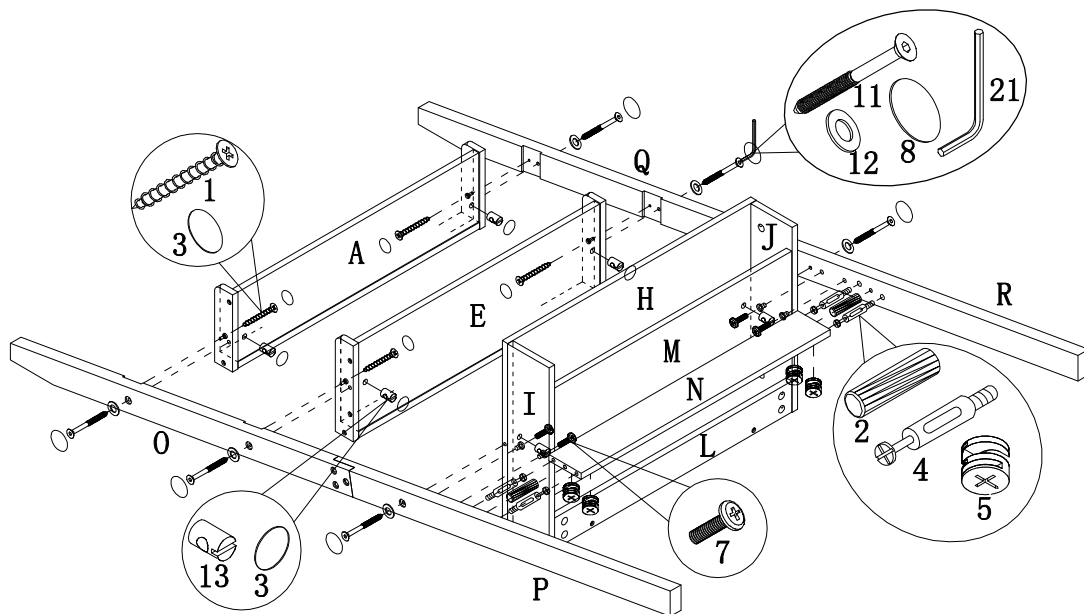
ITEM: **801373**

ASSEMBLY INSTRUCTIONS

STEP 11



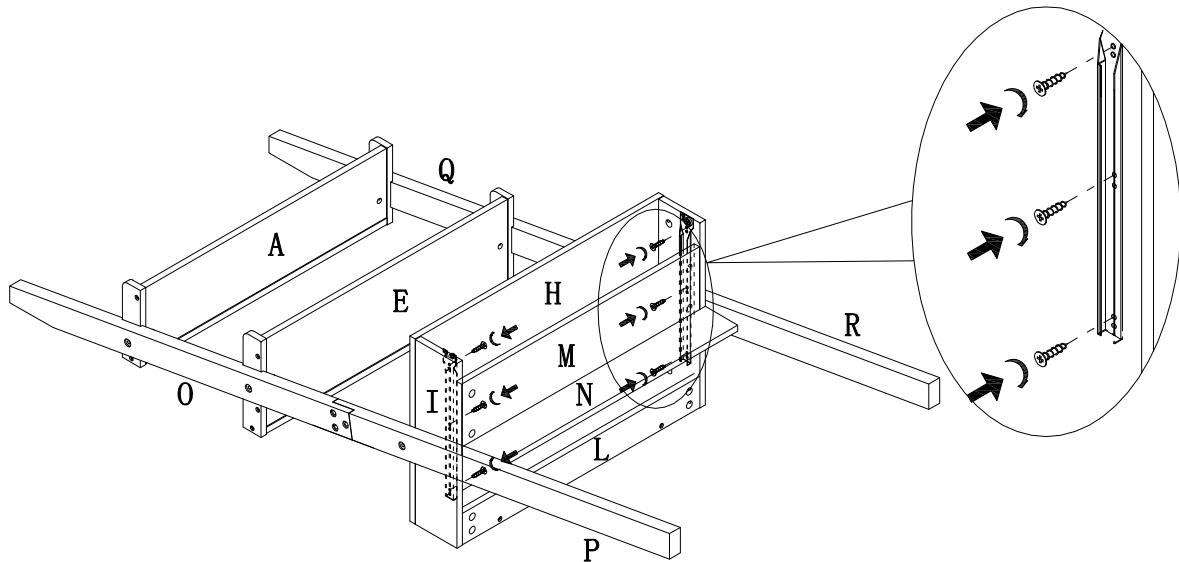
STEP 12



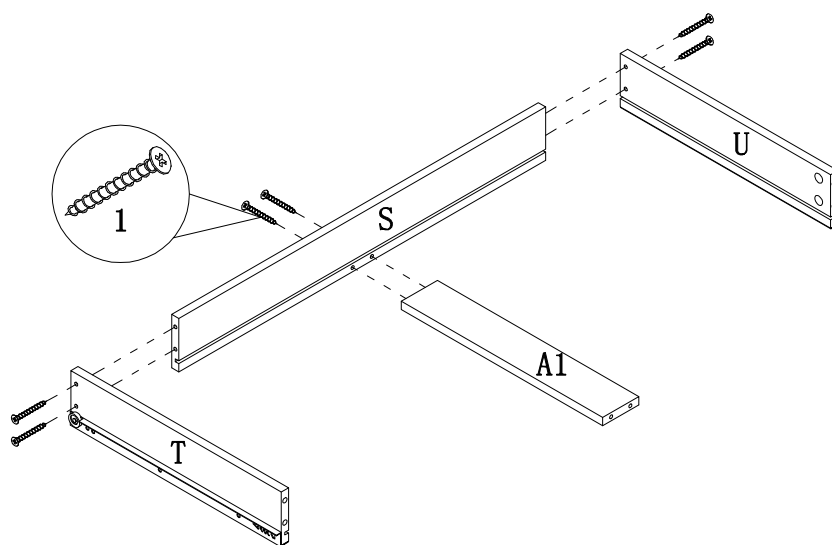
ITEM: **801373**

ASSEMBLY INSTRUCTIONS

STEP 13



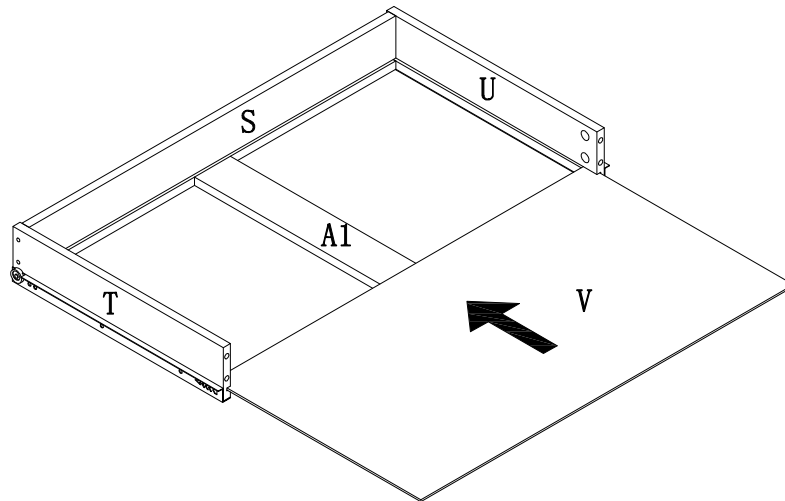
STEP 14



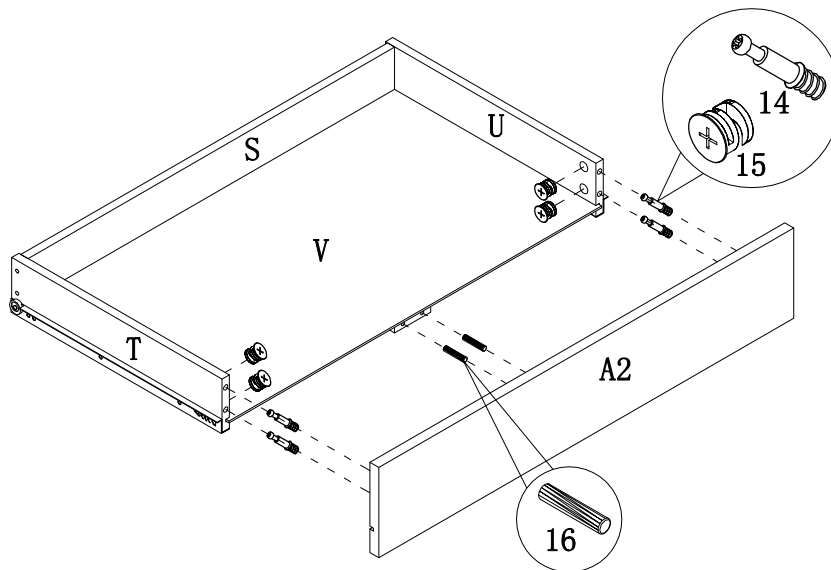
ITEM: **801373**

ASSEMBLY INSTRUCTIONS

STEP 15



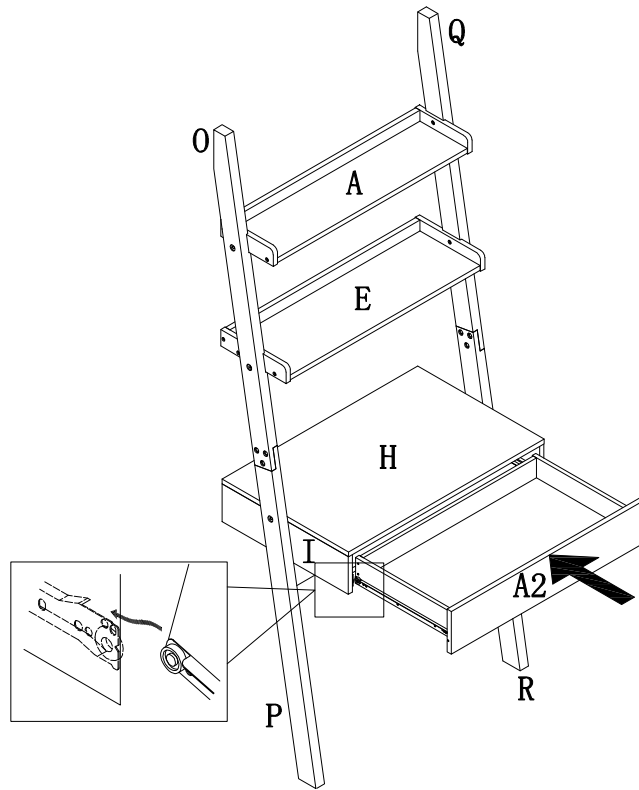
STEP 16



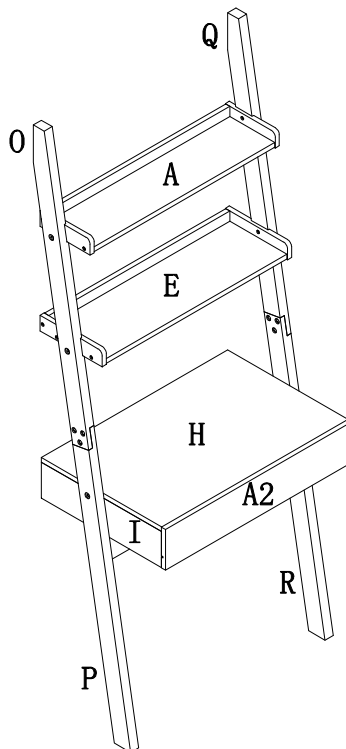
ITEM: **801373**

ASSEMBLY INSTRUCTIONS

STEP 17

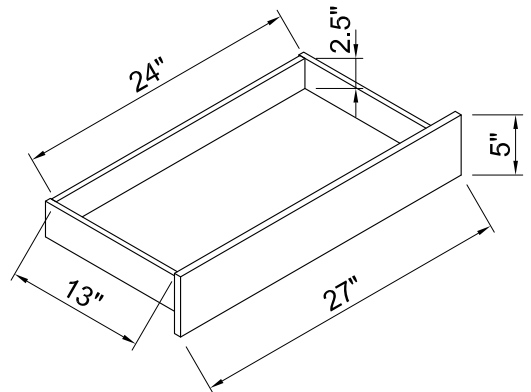
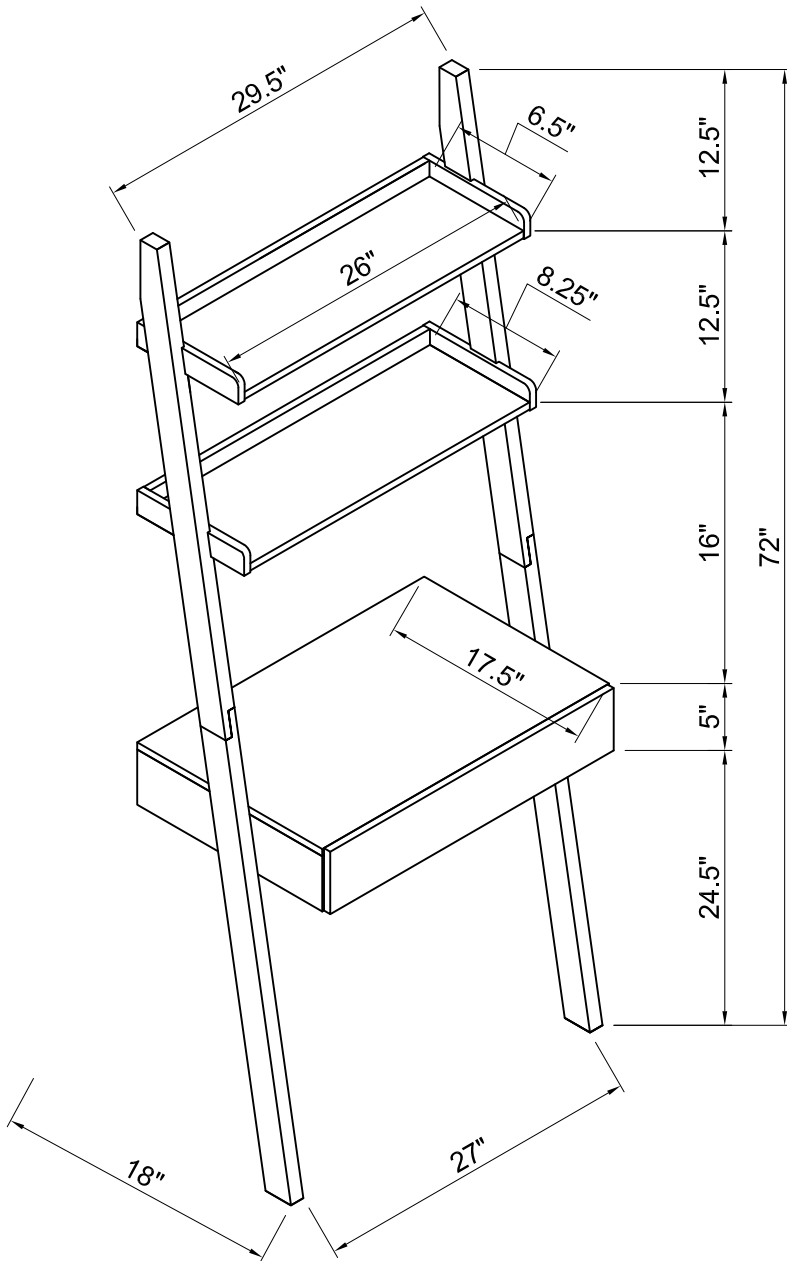


STEP 18



ITEM: **801373**

DIMENSION



ITEM:801373



ANTI-TIPPING INSTALLMENT INSTRUCTIONS

FURNITURE TIPPING RESTRAINT

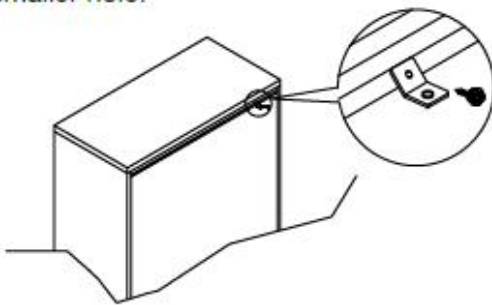
WARNING

Injury may result from tipping furniture.
This restraint may protect against tipping furniture.
Do not allow children to climb on furniture.
This restraint is not a substitute for proper adult supervision.
Failure to detach this restraint before moving the furniture may result in injury and damage.

This tip restraint must be attached to a wall stud using long screw enclosed.

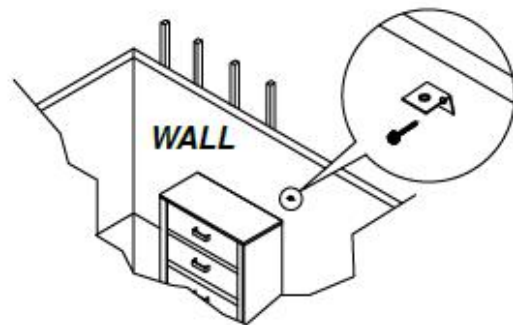
STEP 1

Attach a bracket securely to the back top rail to the furniture using short screw provided, through the smaller hole.



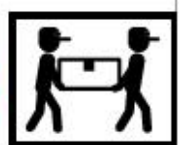
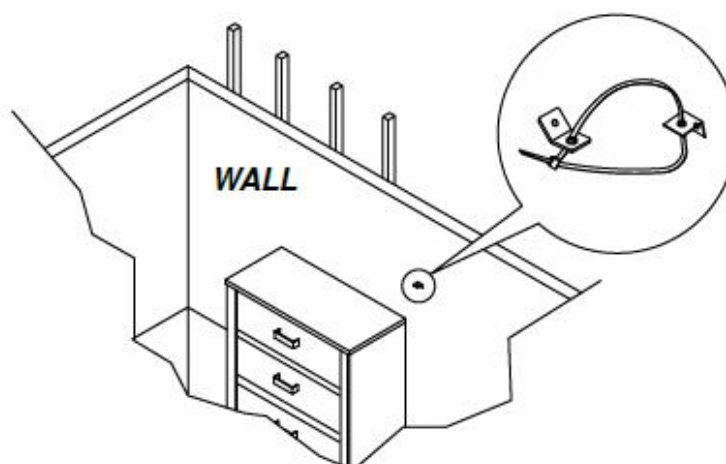
STEP 2

Locate the other bracket on the wall over a wall stud and two inches below the mounting bracket secured to the back of the furniture. Attach the wall stud using the long screw provided, through the smaller hole.

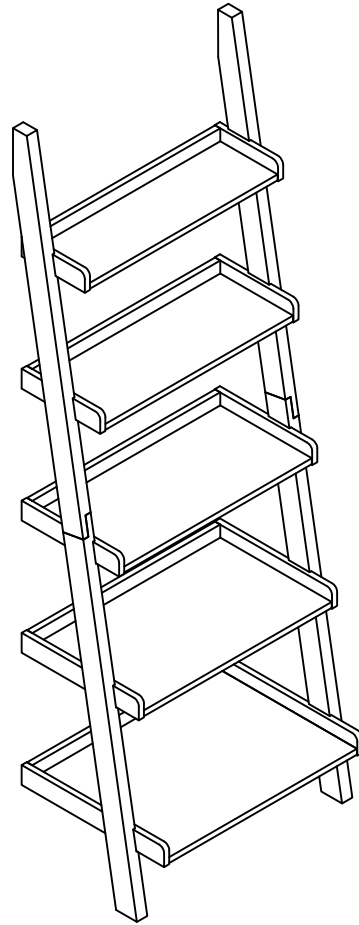


STEP 3

Place the furniture into position so both mounting brackets are vertically in line. Lace the end of the restraint strap through the larger hole in each mounting bracket. Bring both ends together and slide the flat end through the locking and draw it until all slack is removed. Confirm that the strap is securely laced and locked.



**ASSEMBLY INSTRUCTIONS
COASTER FINE FURNITURE**



Fine Furniture for every stage of life

800338
Ladder Bookcase

ITEM:800338

ASSEMBLY INSTRUCTIONS

ASSEMBLY TIPS:

- 1.Remove hardware from box and sort by size.
- 2.Please check to see that all hardware and parts are present prior to start of assembly.
- 3.Please follow attached instructions in the same sequence as numbered to assure fast & easy assembly.

Warning !!

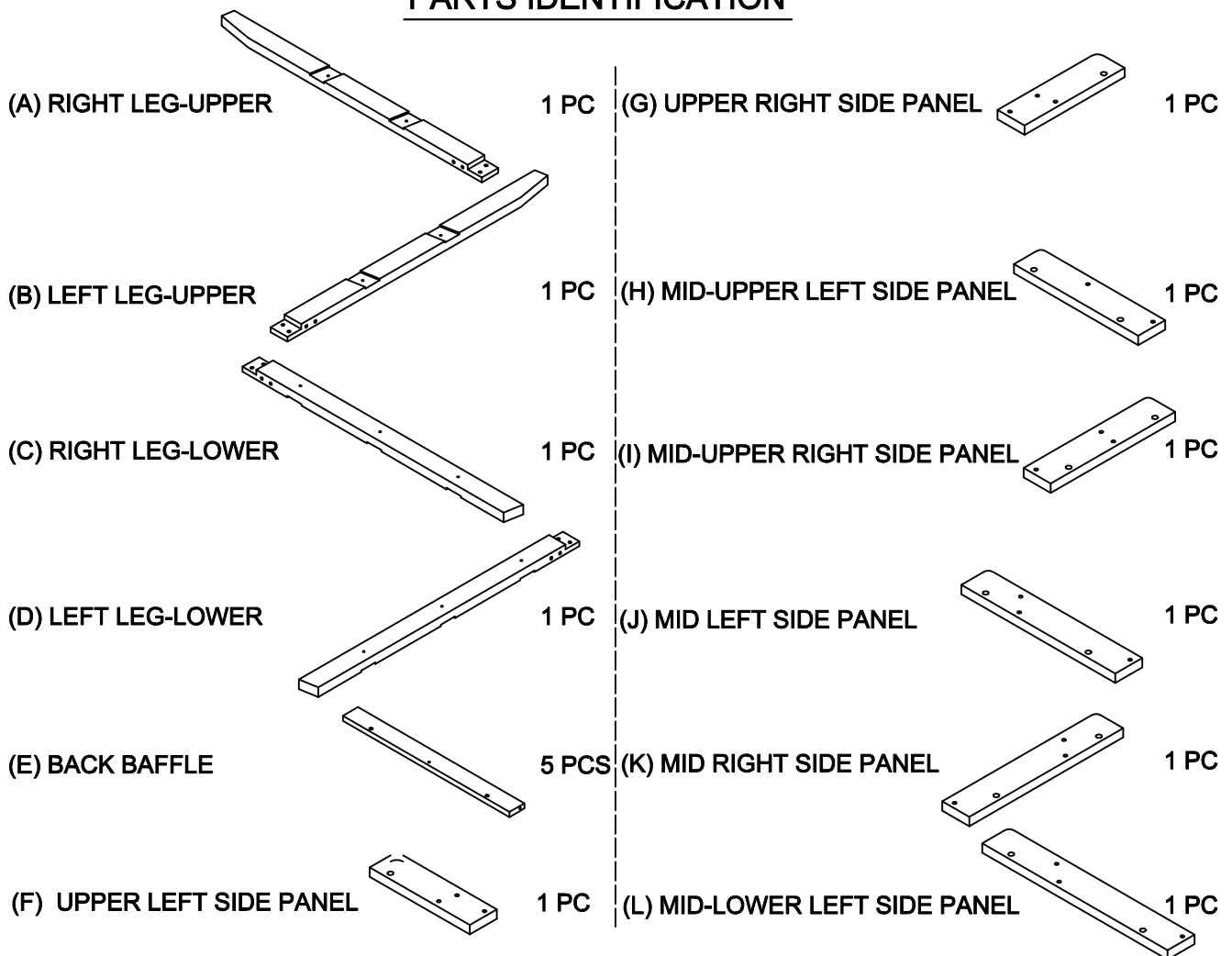
1. Don't attempt to repair or modify parts that are broken or defective. Please contact the store immediately.
2. This product is for home use only and not intended for commercial establishment.



ASSEMBLY TIME

30 MINUTES

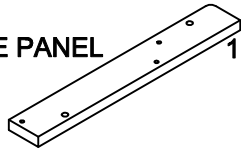
PARTS IDENTIFICATION



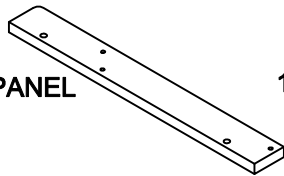
ITEM:800338

PARTS IDENTIFICATION

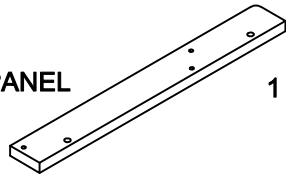
(M) MID-LOWER RIGHT SIDE PANEL 1 PC



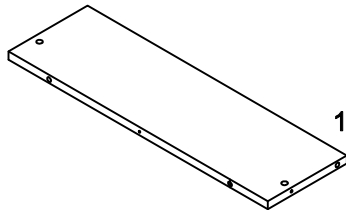
(N) LOWER LEFT SIDE PANEL 1 PC



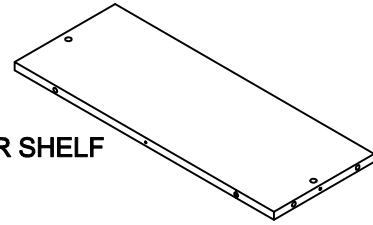
(O) LOWER RIGHT SIDE PANEL 1 PC



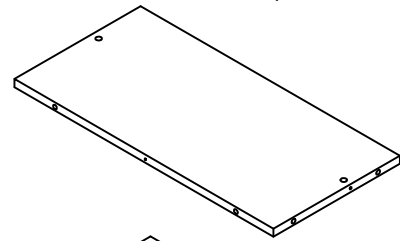
(P) UPPER SHELF 1 PC



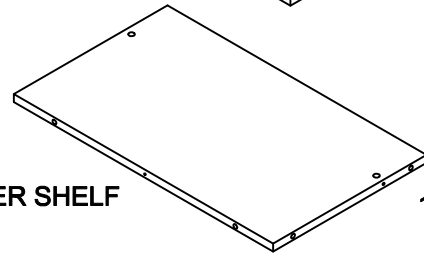
(Q) MID-UPPER SHELF 1 PC



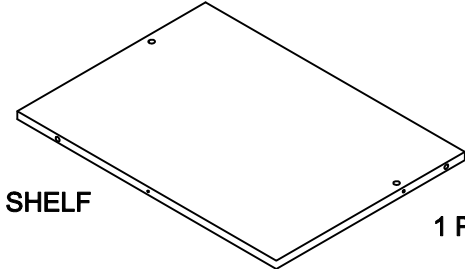
(R) MID SHELF 1 PC



(S) MID-LOWER SHELF 1 PC


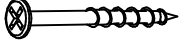





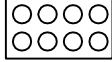
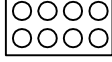
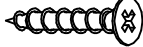


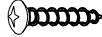

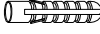



(T) LOWER SHELF 1 PC



ITEM:800338

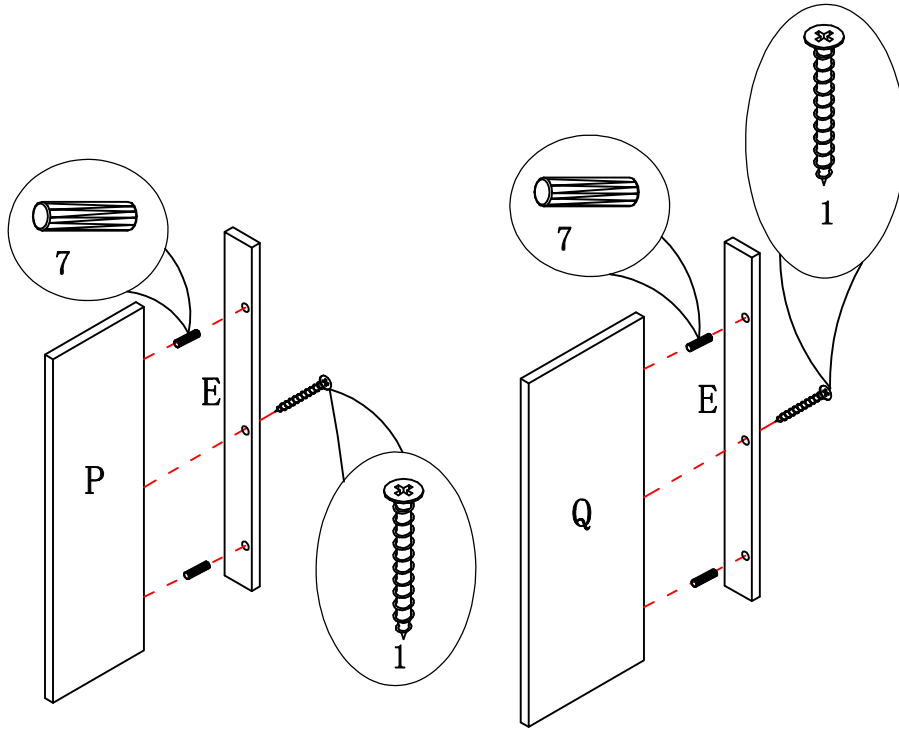
HARDWARE IDENTIFICATION

| | | | | |
|----|----------------------------|------------|---|-------|
| 1 | SELF-TAPPING SCREW | ø4x35mm |  | 15pcs |
| 2 | CHAMFER SELF-TAPPING SCREW | ø4.2x65mm |  | 10pcs |
| 3 | SMALL FLAT SCREW | ø6x12mm |  | 8pcs |
| 4 | LARGE FLAT SCREW | ø6x20mm |  | 4pcs |
| 5 | CAP SCREW | M6x11mm |  | 4pcs |
| 6 | CONNECTION PLATE | 170x24x3mm |  | 2pcs |
| 7 | WOODEN DOWEL | ø8x25mm |  | 28pcs |
| 8 | LARGE STICKER | ø22mm |  | 8pcs |
| 9 | SMALL STICKER | ø13mm |  | 30pcs |
| 10 | SELF-TAPPING SCREW | ø4x30mm |  | 10pcs |
| 11 | THE RESTRAINT STRAP | 197x5x1mm |  | 1pc |
| 12 | BRACKET | 12x12x1mm |  | 2pcs |
| 13 | SMALL SCREW | ø4x25mm |  | 1pc |
| 14 | WALL SCREW | ø5x40mm |  | 1pc |
| 15 | PLASTIC ANCHOR | ø8x40mm |  | 1pc |
| 16 | GLUE | |  | 1pc |

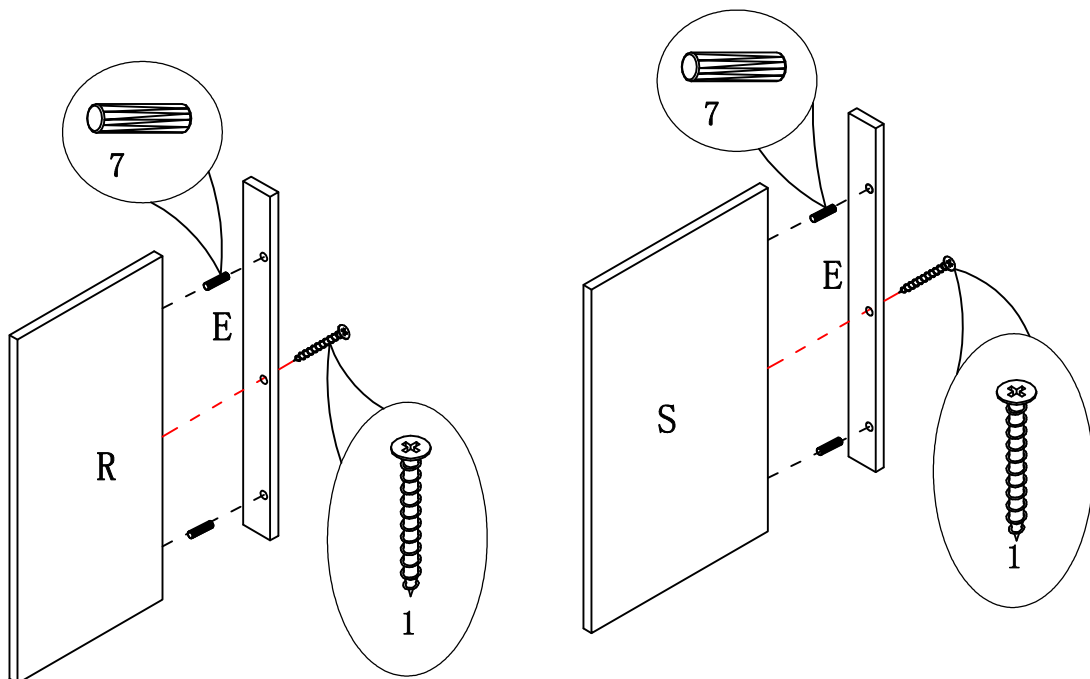
ITEM:800338

ASSEMBLY INSTRUCTIONS

STEP 1



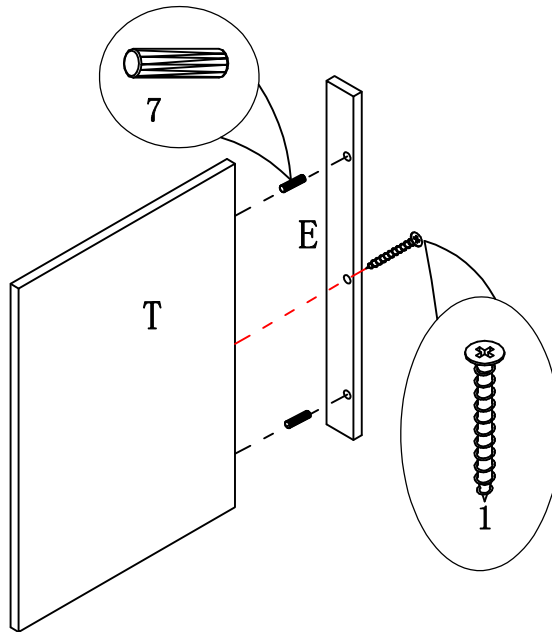
STEP 2



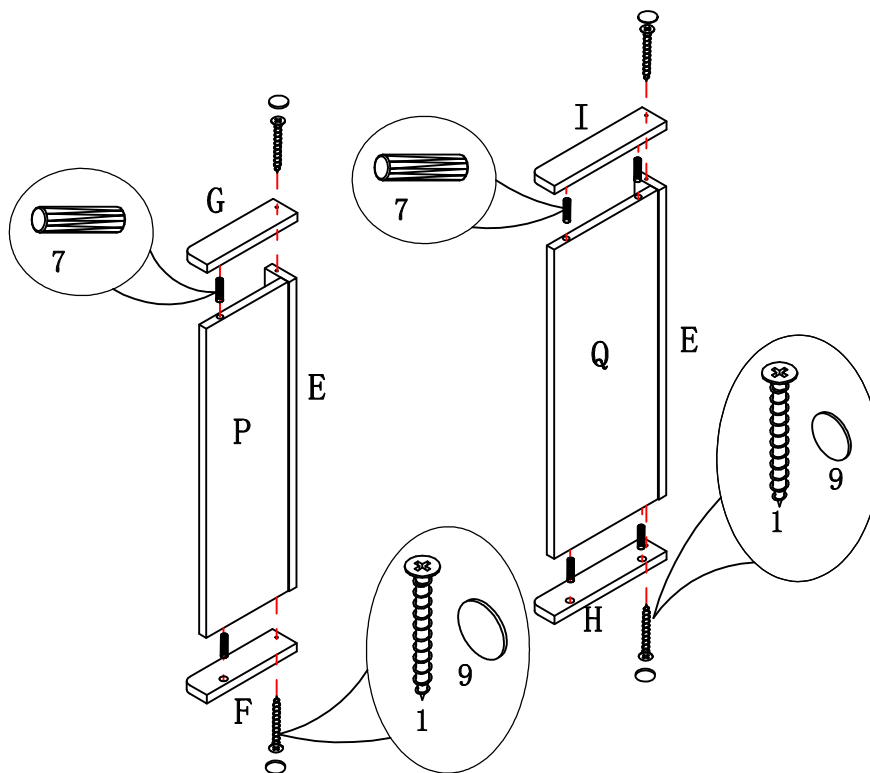
ITEM:800338

ASSEMBLY INSTRUCTIONS

STEP 3



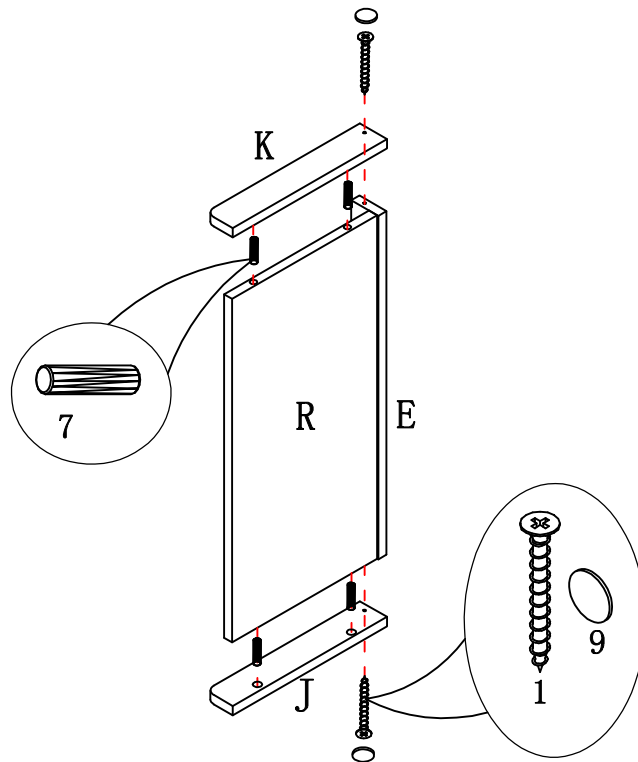
STEP 4



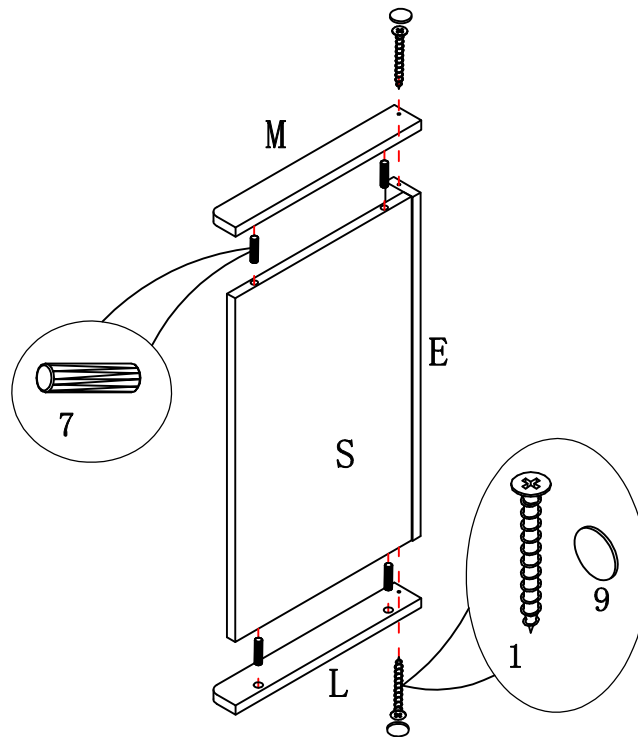
ITEM: 800338

ASSEMBLY INSTRUCTIONS

STEP 5



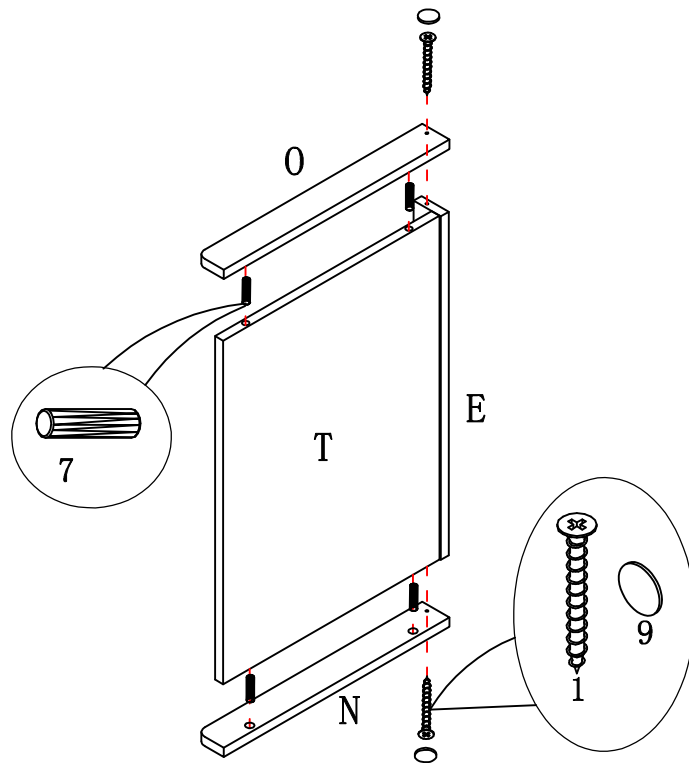
STEP 6



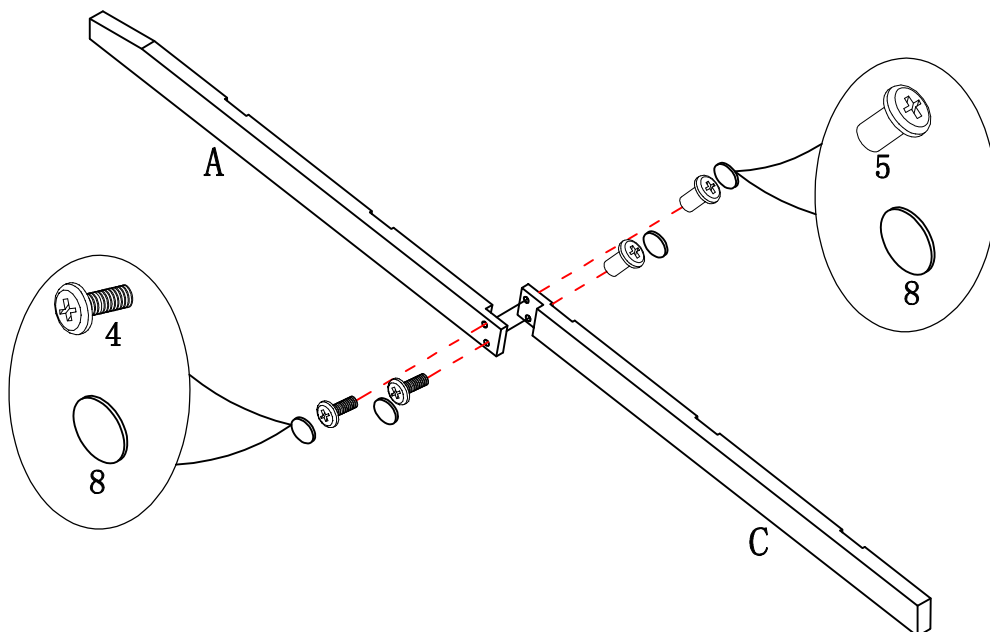
ITEM:800338

ASSEMBLY INSTRUCTIONS

STEP 7



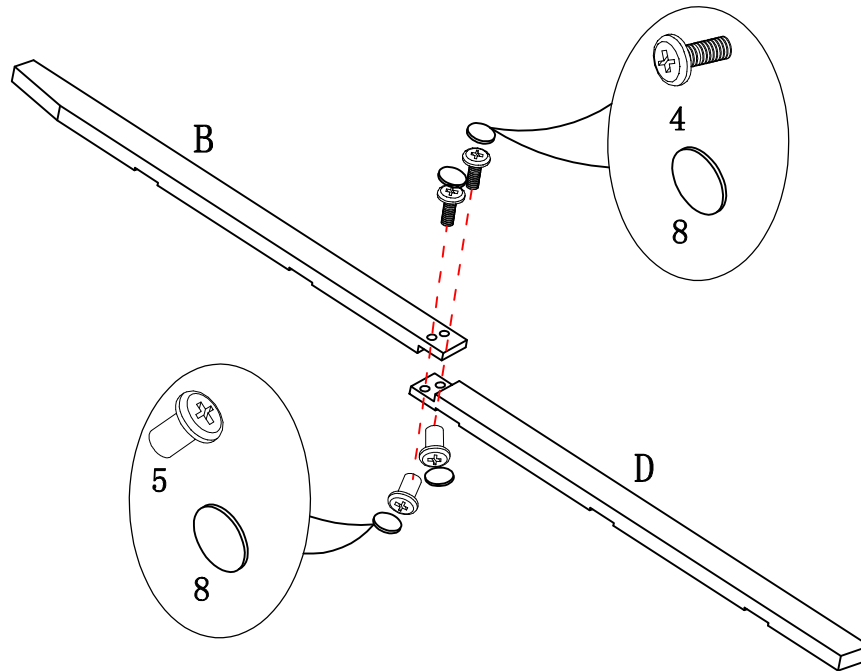
STEP 8



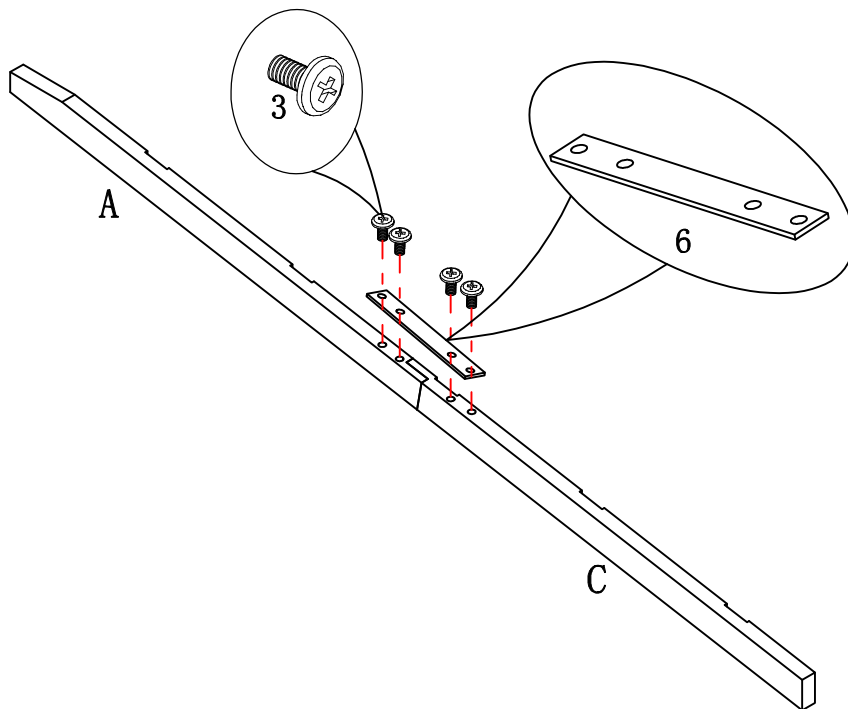
ITEM:800338

ASSEMBLY INSTRUCTIONS

STEP 9



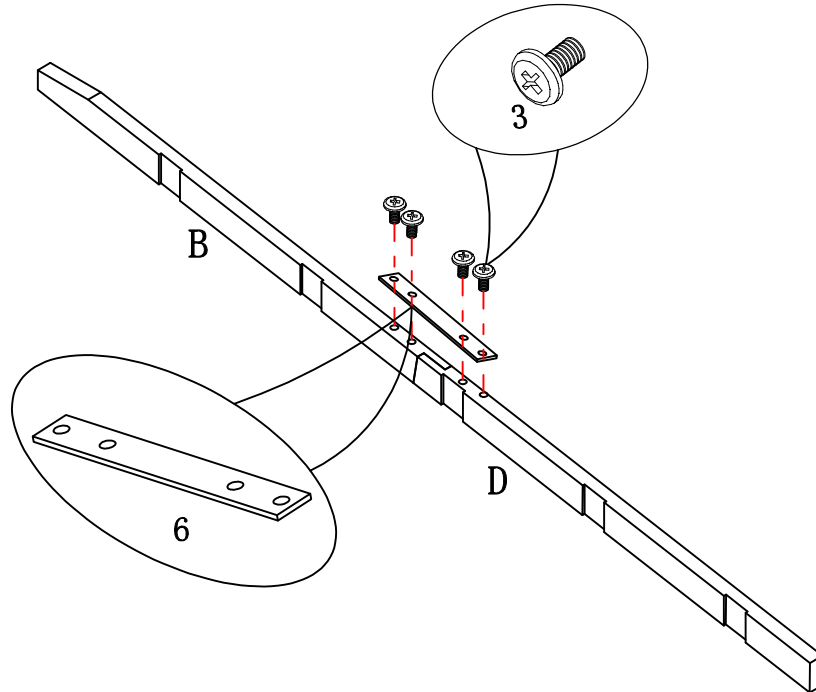
STEP 10



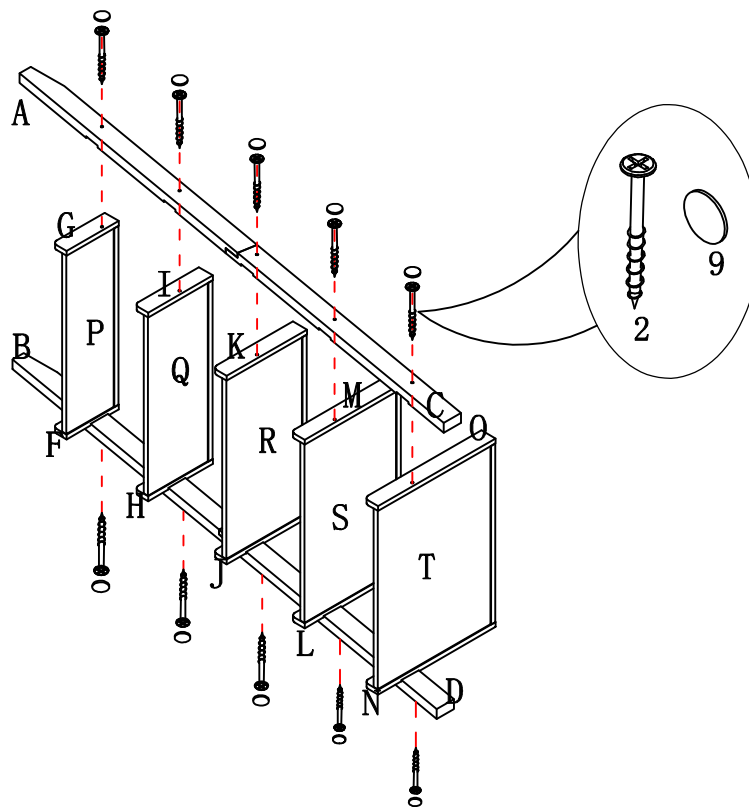
ITEM: 800338

ASSEMBLY INSTRUCTIONS

STEP 11



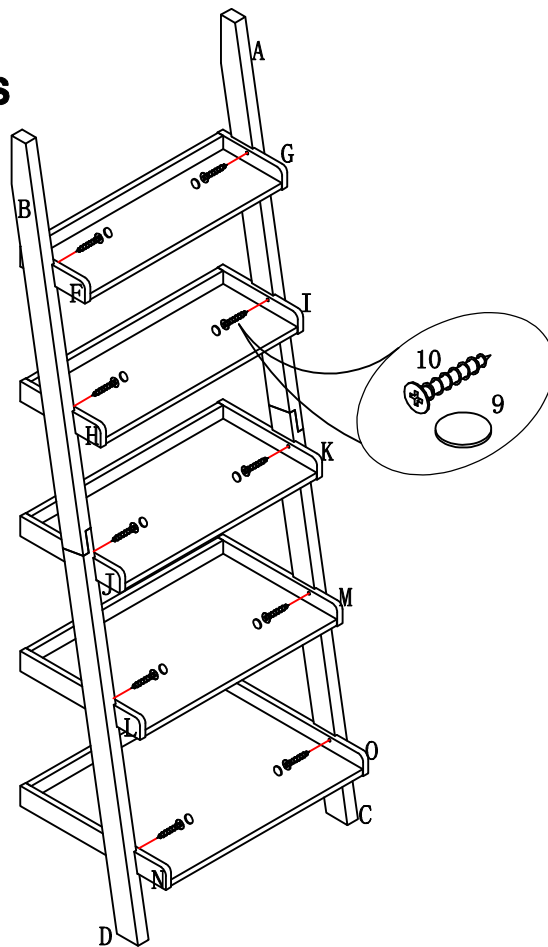
STEP 12



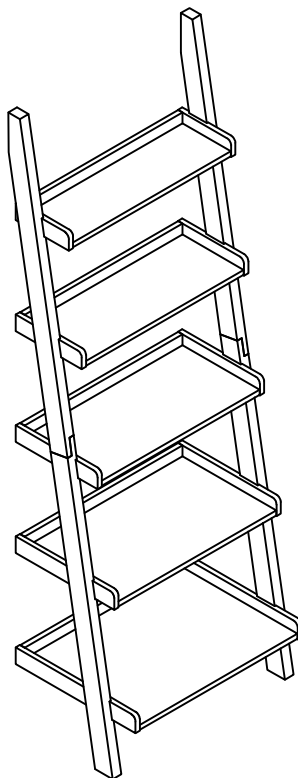
ITEM: 800338

ASSEMBLY INSTRUCTIONS

STEP 13

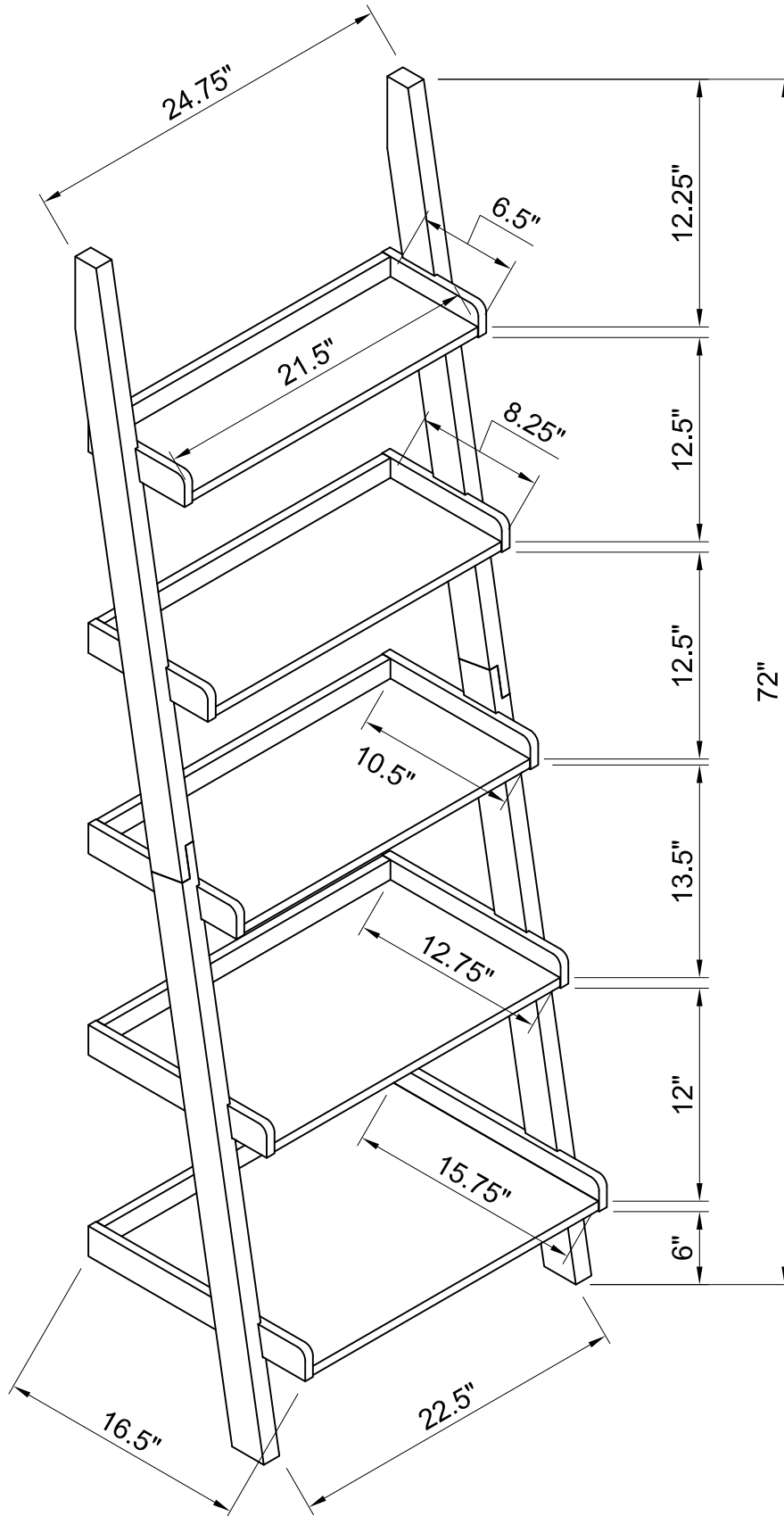


STEP 14



ITEM: **800338**

DIMENSION



ITEM: **800338**

ANTI-TIPPING INSTALLMENT INSTRUCTIONS

FURNITURE TIPPING RESTRAINT

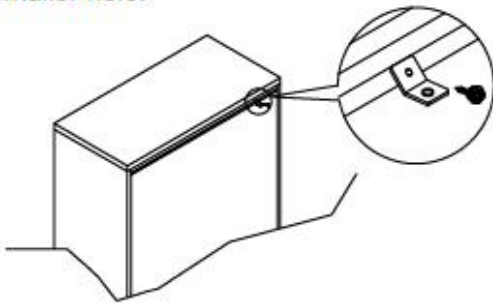
WARNING

Injury may result from tipping furniture.
This restraint may protect against tipping furniture.
Do not allow children to climb on furniture.
This restraint is not a substitute for proper adult supervision.
Failure to detach this restraint before moving the furniture may result in injury and damage.

This tip restraint must be attached to a wall stud using long screw enclosed.

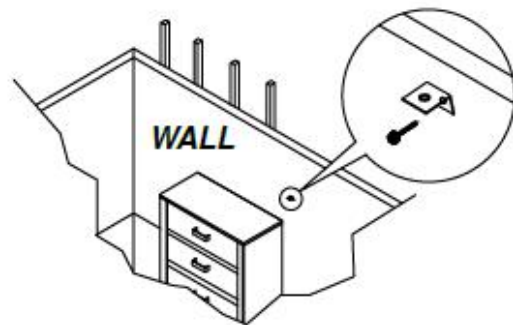
STEP 1

Attach a bracket securely to the back top rail to the furniture using short screw provided, through the smaller hole.



STEP 2

Locate the other bracket on the wall over a wall stud and two inches below the mounting bracket secured to the back of the furniture. Attach the wall stud using the long screw provided, through the smaller hole.



STEP 3

Place the furniture into position so both mounting brackets are vertically in line. Lace the end of the restraint strap through the larger hole in each mounting bracket. Bring both ends together and slide the flat end through the locking and draw it until all slack is removed. Confirm that the strap is securely laced and locked.

