



*ASSEMBLY INSTRUCTIONS
COASTER FINE FURNITURE*



Fine Furniture for every stage of life

360240(B1&B2)
Sleeper Sectional

ITEM: 360240(B1&B2)



ASSEMBLY INSTRUCTIONS

ASSEMBLY TIPS:

1. Remove hardware from box and sort by size.
2. Please check to see that all hardware and parts are present prior to start of assembly.
3. Please follow attached instructions in the same sequence as numbered to assure fast & easy assembly.



WARNING!

1. Don't attempt to repair or modify parts that are broken or defective. Please contact the store immediately.
2. This product is for home use only and not intended for commercial establishments.



ASSEMBLY TIME

10 MINUTES

PARTS IDENTIFICATION

B1 (BOX 1)

A	ARM		2PCS
---	-----	--	------

B2 (BOX 2)

B	SEAT		1PC
---	------	---	-----

C	ARM LEG		4PCS
---	---------	---	------

D	BUN FOOT		4PCS
---	----------	---	------

E	CASTER WITH SCREW		4SETS
---	-------------------	---	-------

HARDWARE IDENTIFICATION

Z-B2(BOX 2) - HARDWARE PACK IS LOCATED IN 360240 (B2)

1	PAN HEAD SCREW (4* 45MM - BLK)		12PCS
---	-----------------------------------	---	-------

NOTE:

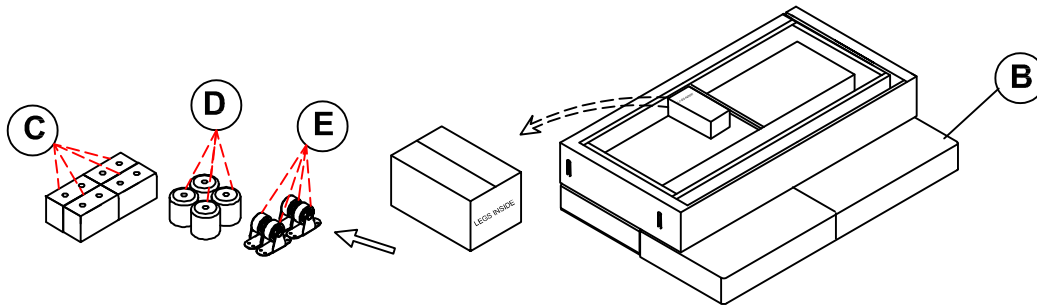
Phillips head screw driver is required in the assembly process; however, manufacturer does not provide this item.

ITEM: 360240(B1&B2)

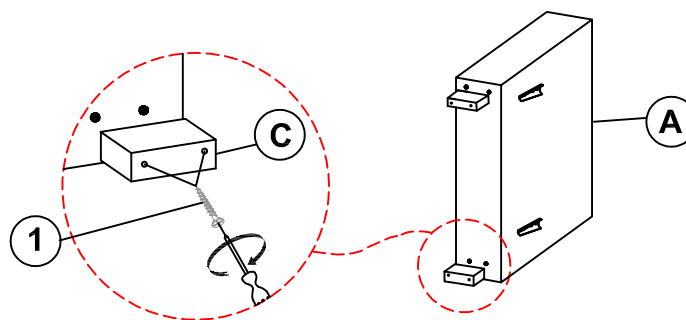
ASSEMBLY INSTRUCTIONS



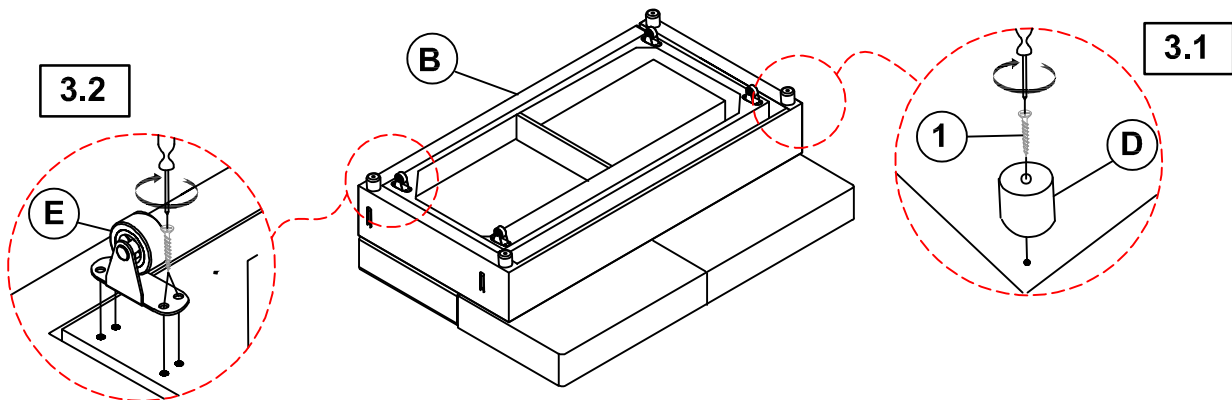
STEP 1



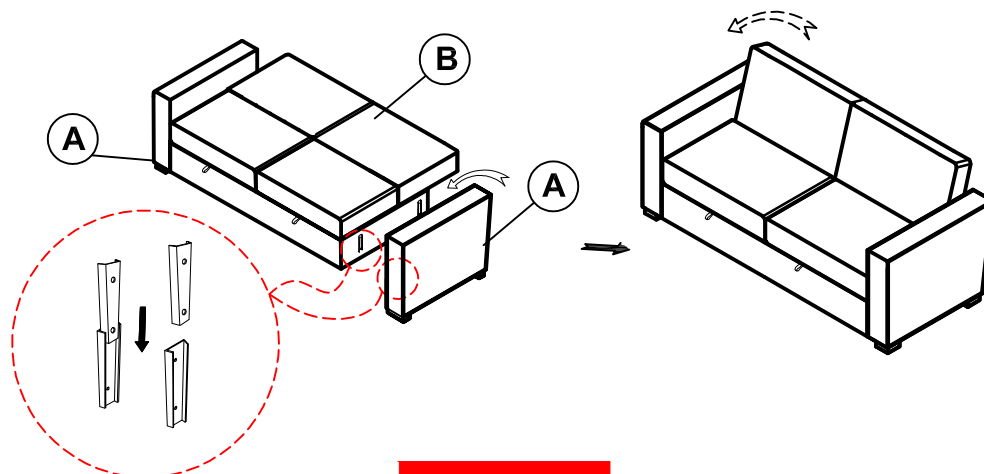
STEP 2



STEP 3



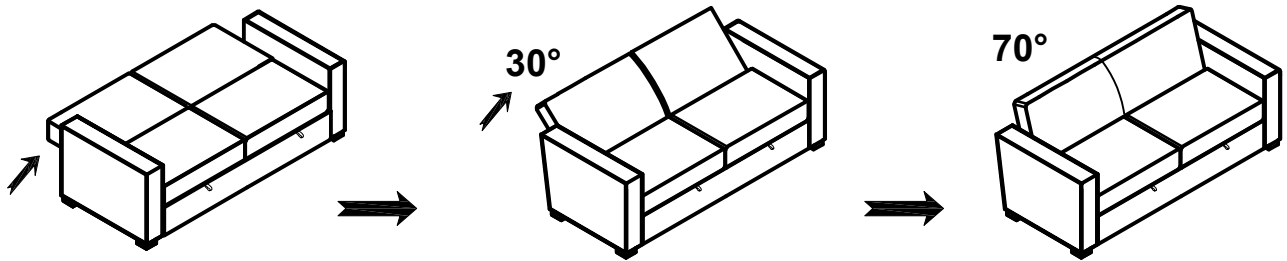
STEP 4



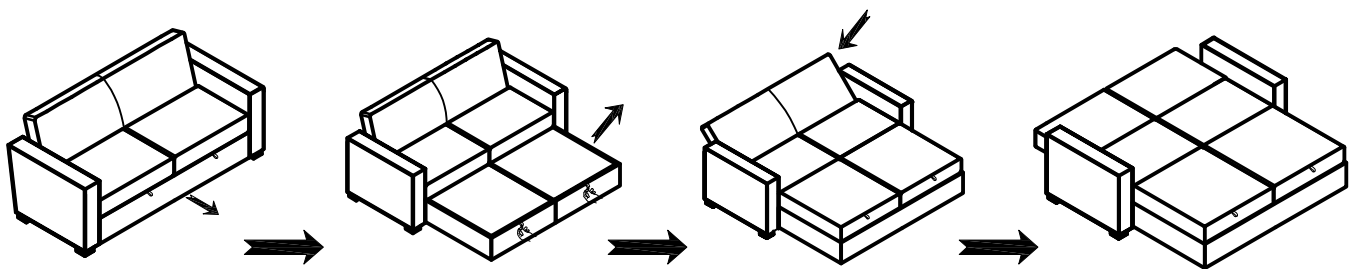
ITEM: **360240(B1&B2)**
ASSEMBLY INSTRUCTIONS



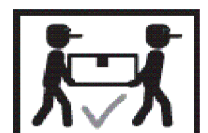
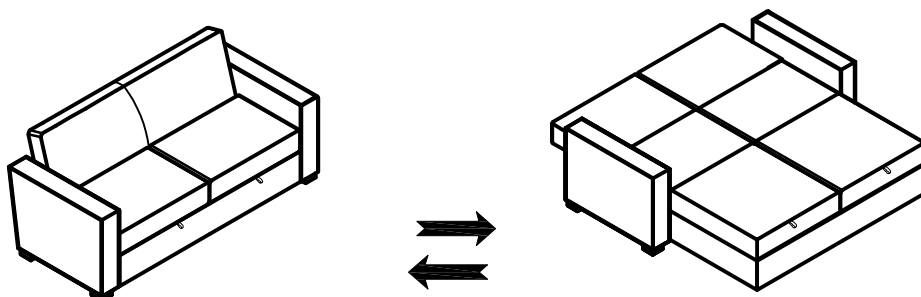
STEP 5



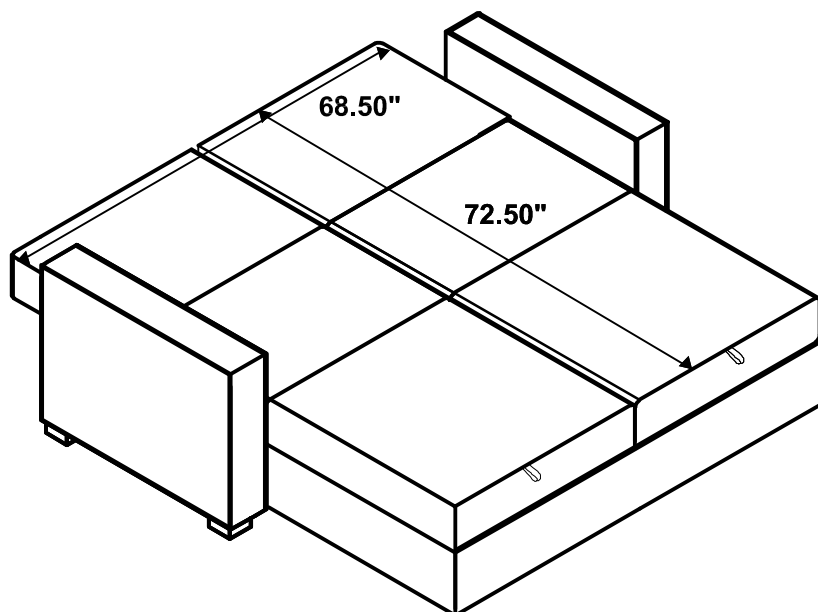
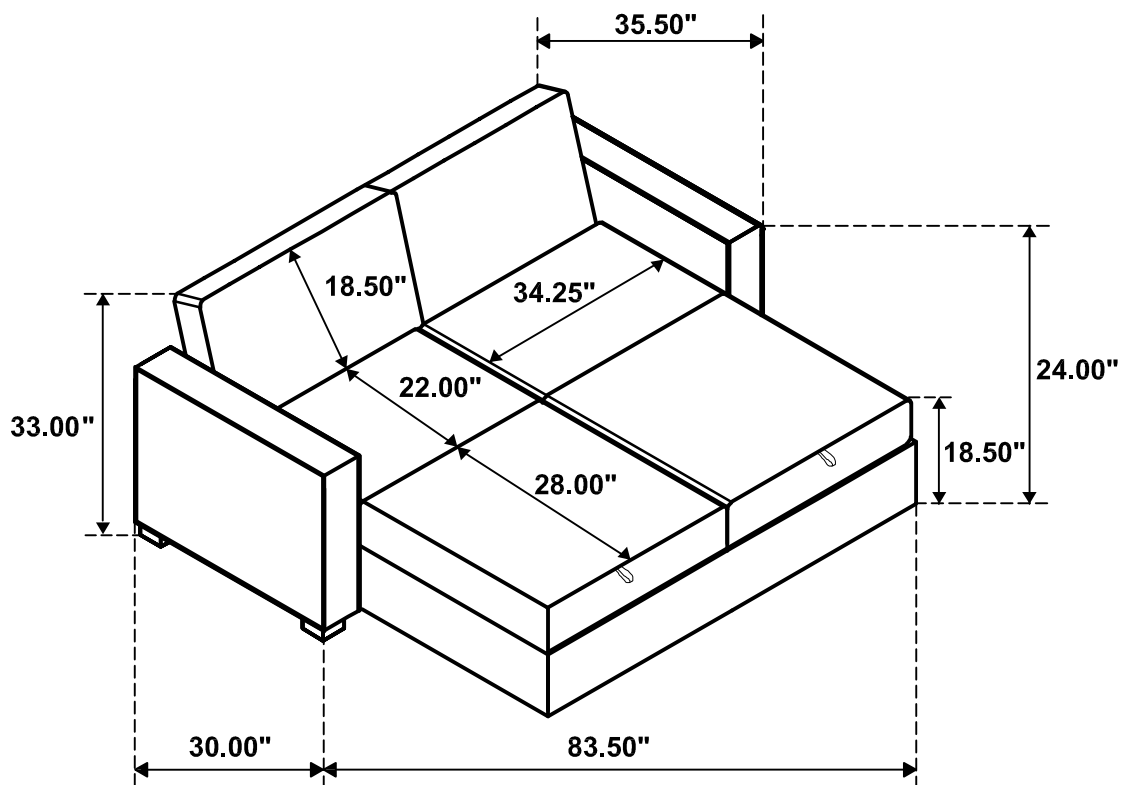
STEP 6



STEP 7
COMPLETE



ITEM: 360240(B1&B2)



Note: Dimension tolerance $\pm 5\%$