



ASSEMBLY INSTRUCTIONS
COASTER FINE FURNITURE



Fine Furniture for every stage of life

610193P
Power Recliner

ITEM: 610193P



ASSEMBLY INSTRUCTIONS

ASSEMBLY TIPS:

1. Remove hardware from box and sort by size.
2. Please check to see that all hardware and parts are present prior to start of assembly.
3. Please follow attached instructions in the same sequence as numbered to assure fast & easy assembly.



WARNING!

1. Don't attempt to repair or modify parts that are broken or defective. Please contact the store immediately.
2. This product is for home use only and not intended for commercial establishments.



ASSEMBLY TIME

5 MINUTES

PARTS IDENTIFICATION

A	SEAT		1PC
B	BACK		1PC
C	LEFT EAR		1PC
D	RIGHT EAR		1PC
E	ADAPTER		1PC
F	POWER CABLE		1PC

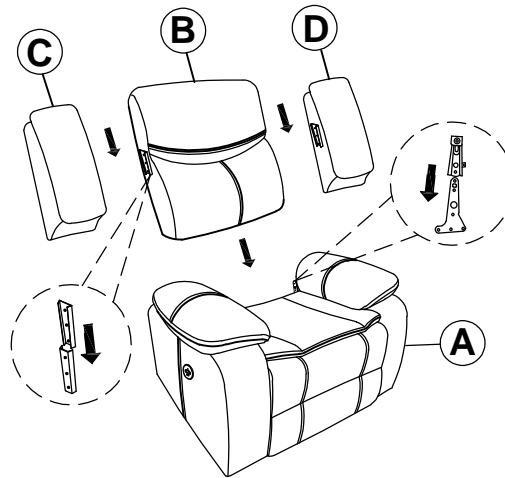
NOTE :

Phillips head screw driver is required in the assembly process ; However, manufacturer not provide this item.

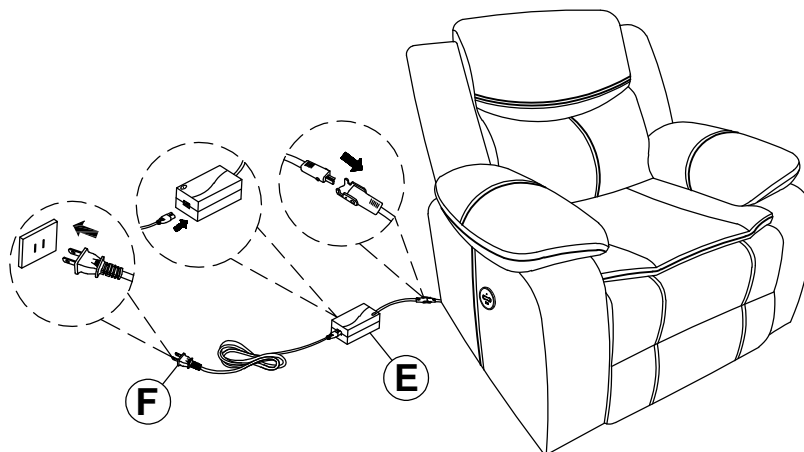
ITEM: **610193P**
ASSEMBLY INSTRUCTIONS



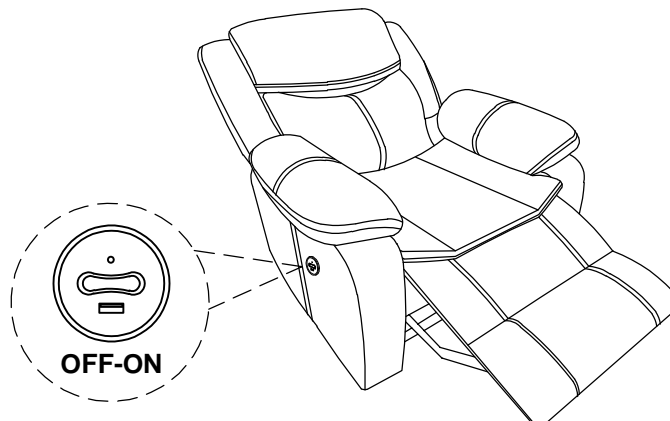
STEP 1



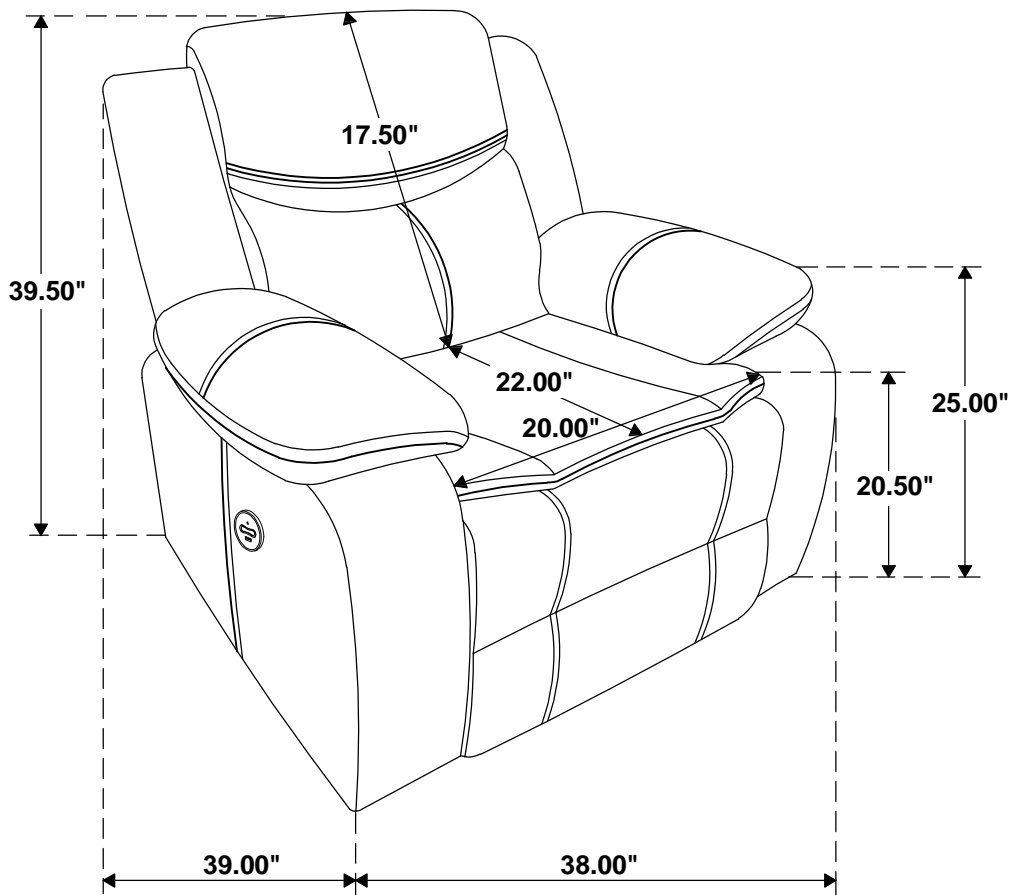
STEP 2



STEP 3
COMPLETE



ITEM: 610193P



Note: Dimension tolerance $\pm 5\%$