

ASSEMBLY INSTRUCTIONS
COASTER FINE FURNITURE



Fine Furniture for every stage of life

100135
BAR TABLE

REVISION 0 : 10/13/2017
REVISION 1 : 05/29/2019
REVISION 2 : 07/24/2023

ITEM:100135



ASSEMBLY INSTRUCTIONS

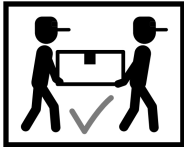
ASSEMBLY TIPS:

1. Remove hardware from box and sort by size.
2. Please check to see that all hardware and parts are present prior to start of assembly.
3. Please follow attached instructions in the same sequence as numbered to assure fast & easy assembly.



WARNING!

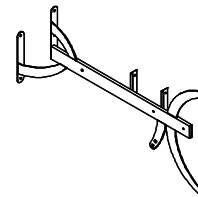
1. Don't attempt to repair or modify parts that are broken or defective. Please contact the store immediately.
2. This product is for home use only and not intended for commercial establishments.



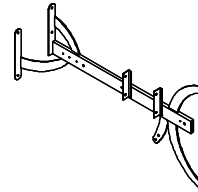
ASSEMBLY TIME 60 MINUTES

PARTS IDENTIFICATION

A LEFT LEG 1PC



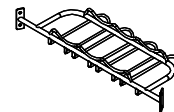
B RIGHT LEG 1PC



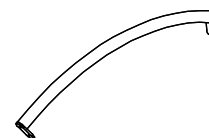
C FRONT FRAME 1PC



D HANGER BRACKET 1PC



E BOTTOM SUPPORT 1PC



F GLASS SHELF SUPPORT 2PCS

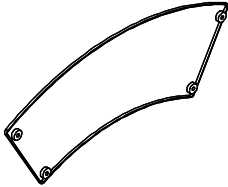
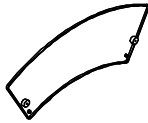
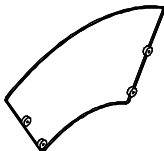


ITEM:100135




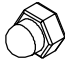
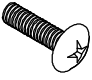




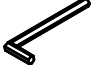

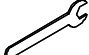
ASSEMBLY INSTRUCTIONS

PARTS IDENTIFICATION



G	UPPER TOP GLASS		1PC
H	GLASS SHELF		2PCS
I	LOWER TOP GLASS		1PC

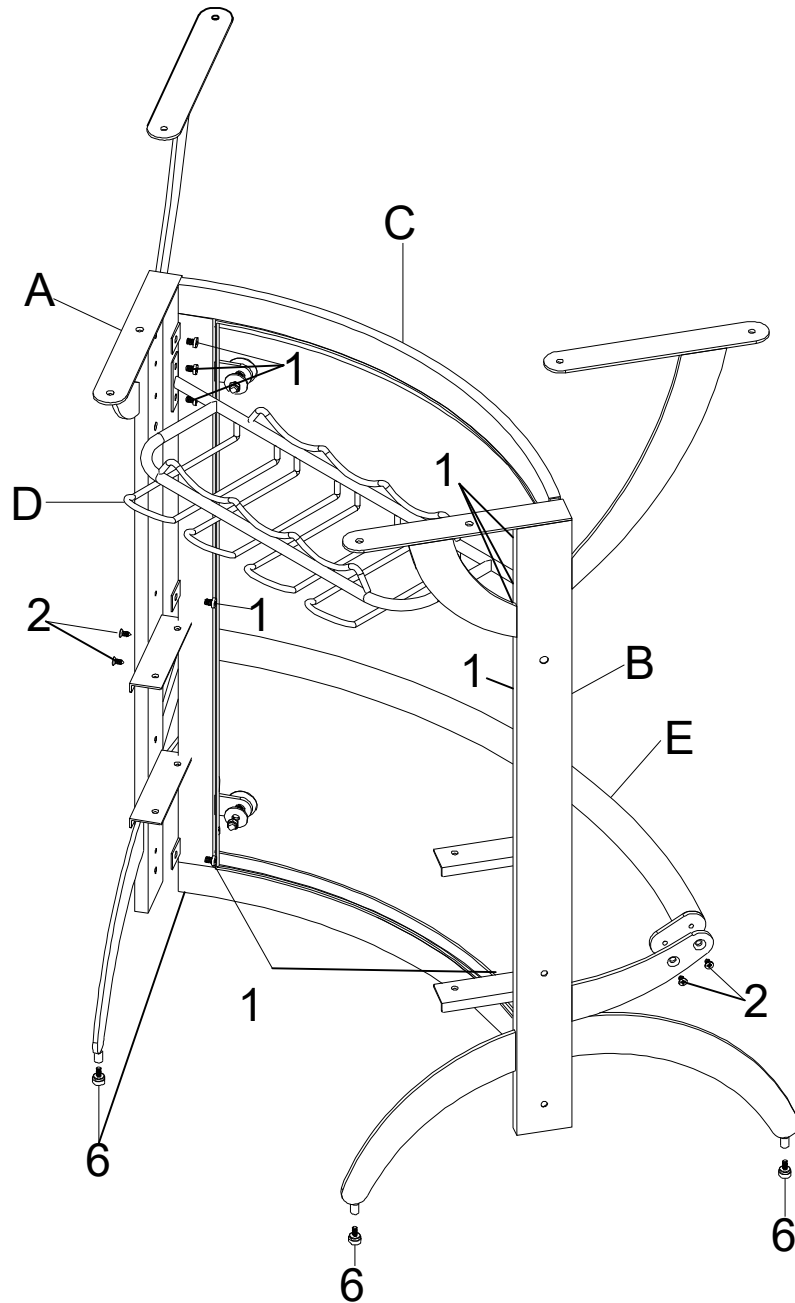
HARDWARE IDENTIFICATION

1	ALLEN BOLT-MEDIUM (1/4" x 8mm SR)		22PCS	7	ALLEN BOLT-LARGE (1/4" x 38mm SR)		3PCS
2	ALLEN BOLT-SMALL (1/4" x 9mm SR)		4PCS	8	NUT (1/4" SR)		3PCS
3	BOLT (3/16" x 12mm SR)		4PCS	9	WASHER (ø16mm SR)		3PCS
4	SMALL WASHER (ø15mm)		4PCS	10	PLASTIC WASHER (ø26mm)		3PCS
5	SUCTION CUP (6mm)		4PCS	11	ALLEN WRENCH (4mm)		1PC
6	FLOOR LEVELER (1/4" x 6mm BLK)		4PCS	12	HEXAGONAL WRENCH (1/4")		1PC

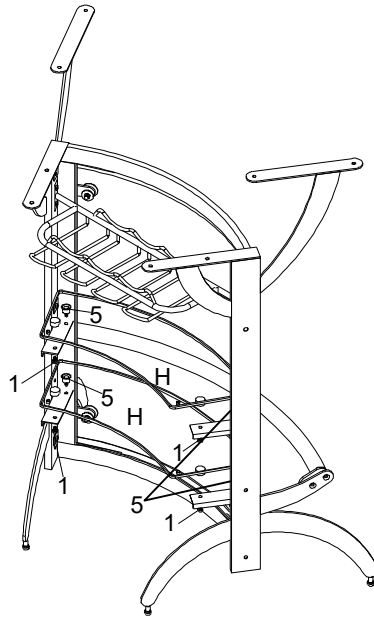
ITEM:100135 ASSEMBLY INSTRUCTIONS



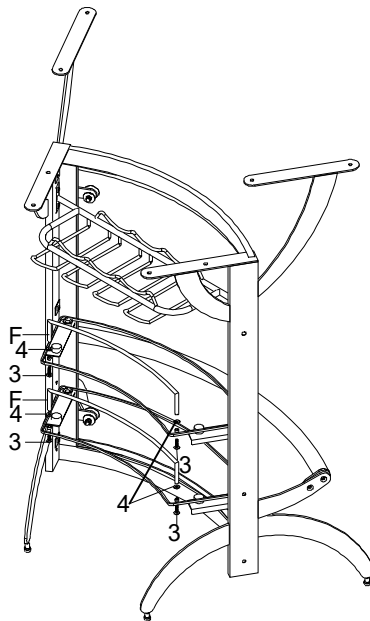
STEP 1 Do not tighten until each step is completed or instructed.



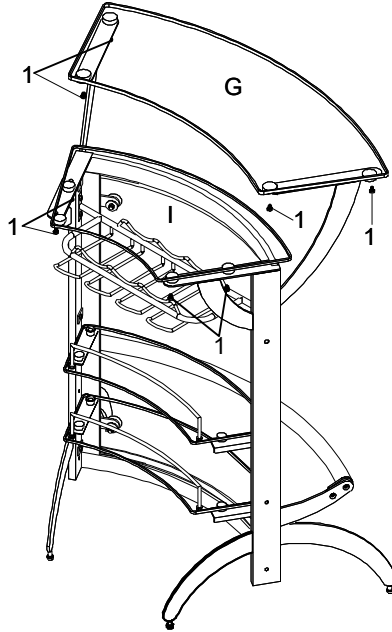
ITEM:100135
ASSEMBLY INSTRUCTIONS
STEP 2



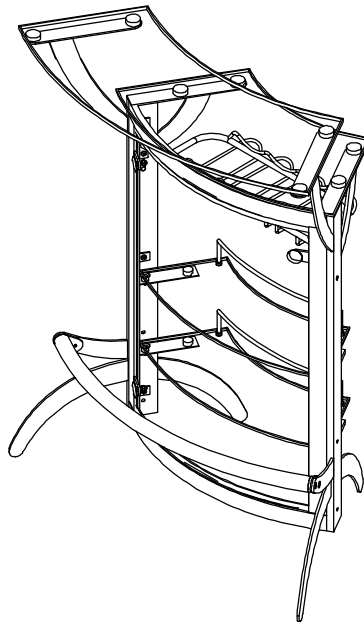
STEP 3



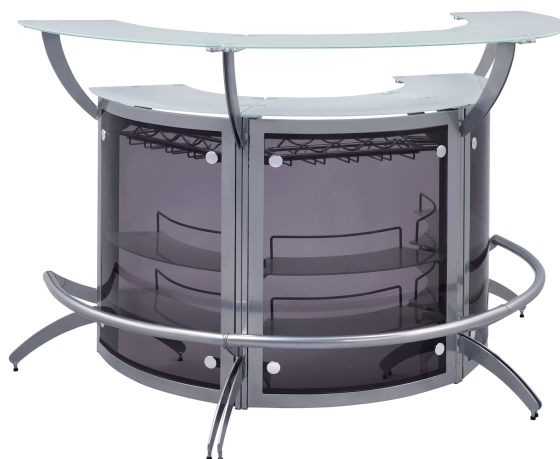
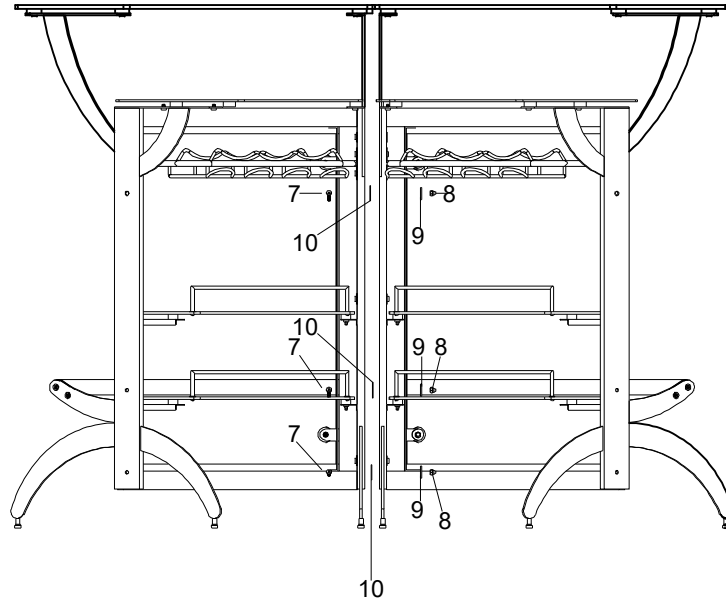
ITEM:100135
ASSEMBLY INSTRUCTIONS
STEP 4



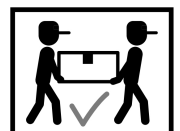
STEP 5
COMPLETE



ITEM:100135
ASSEMBLY INSTRUCTIONS
STEP 6



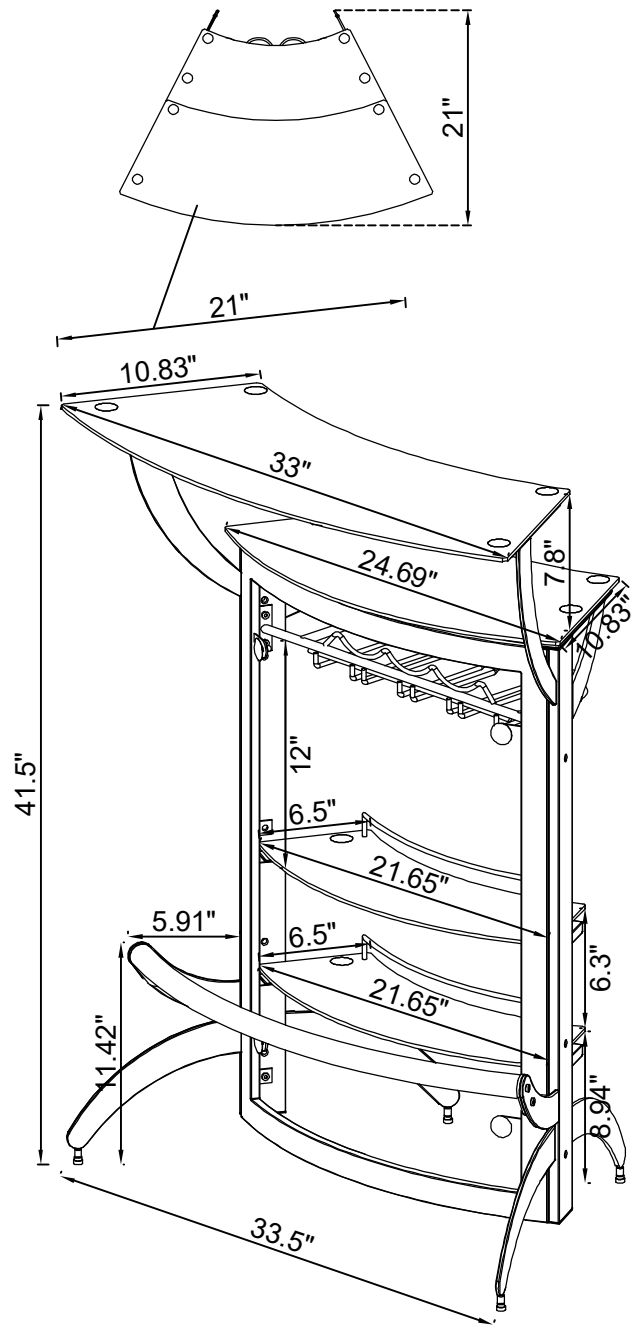
How to clean Acrylic product:
Using a dry soft microfiber cloth, lightly brush off any dust.
For additional care, dampen the cloth with warm water.
For deepest cleaning, use an Acrylic cleaner.



ITEM:100135 ASSEMBLY INSTRUCTIONS



Product Size : 851 X 533 X 1050 H (MM)
Product Size : 33 1/2" X 21" X 41 1/2"

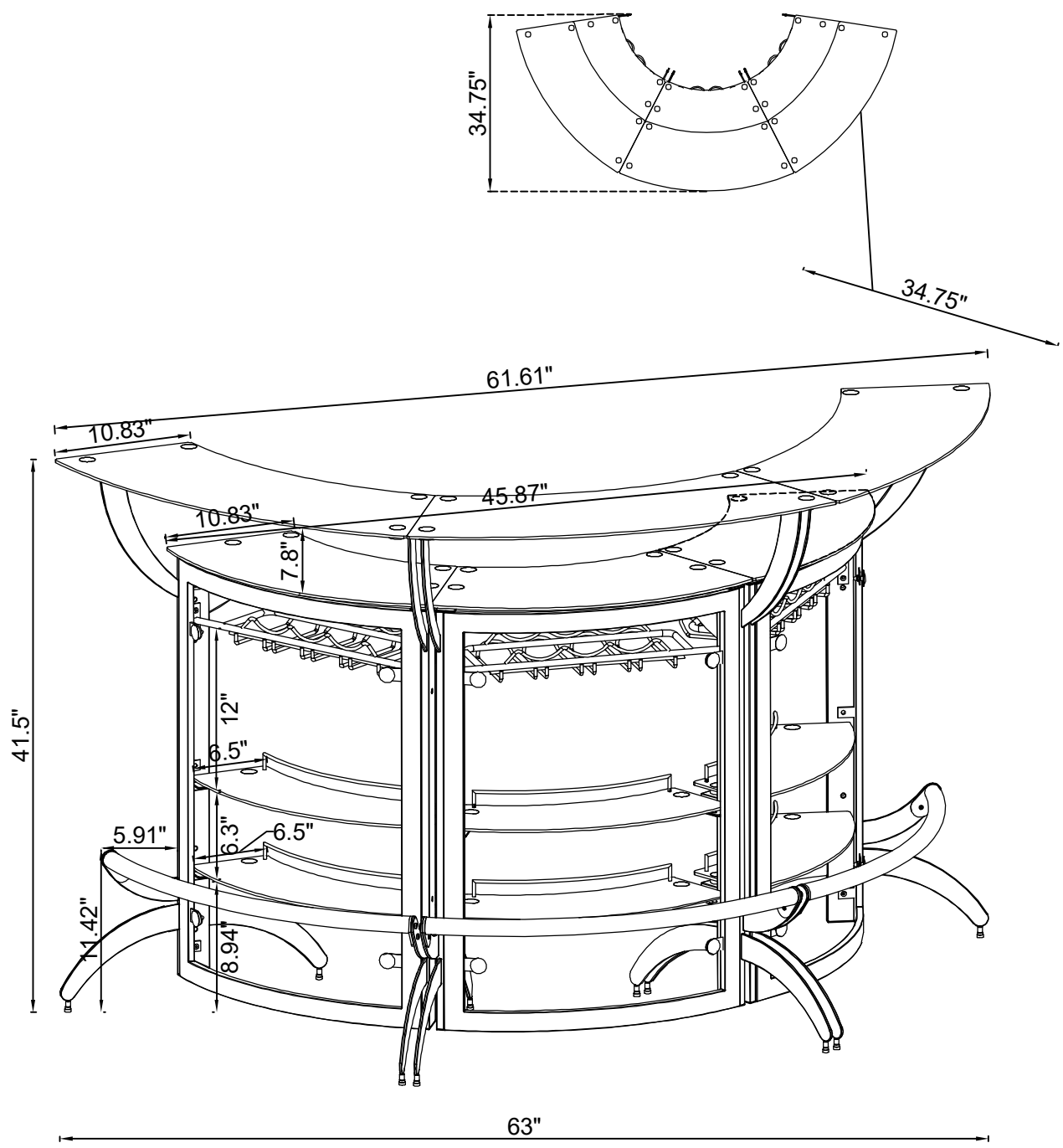


Note : Dimension tolerance $\pm 5\%$

ITEM:100135 ASSEMBLY INSTRUCTIONS



Product Size : 1600 X 883 X 1050 H (MM)
Product Size : 63" X 34 3/4" X 41 1/2"



Note : Dimension tolerance $\pm 5\%$