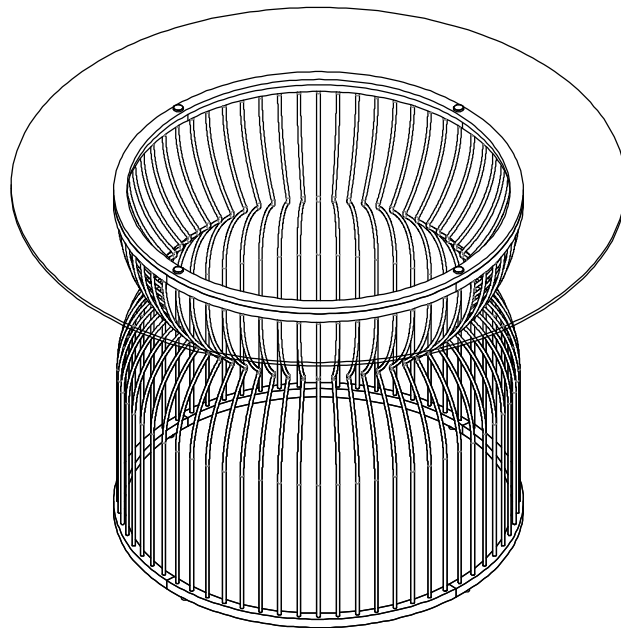


*ASSEMBLY INSTRUCTIONS*  
*COASTER FINE FURNITURE*



*Fine Furniture for every stage of life*

**193511**  
***DINING TABLE BASE***

REVISION 0 : 12/10/2020  
REVISION 1 : 07/26/2023

ITEM:193511



# ASSEMBLY INSTRUCTIONS

## ASSEMBLY TIPS:

1. Remove hardware from box and sort by size.
2. Please check to see that all hardware and parts are present prior to start of assembly.
3. Please follow attached instructions in the same sequence as numbered to assure fast & easy assembly.



## WARNING!

1. Don't attempt to repair or modify parts that are broken or defective. Please contact the store immediately.
2. This product is for home use only and not intended for commercial establishments.

ASSEMBLY TIME 25 MINUTES

## PARTS IDENTIFICATION

A	GLASS  *GLASS SOLD SEPARATELY.*		1PC
B	TOP FRAME		1PC
C	BASE FRAME		4PCS

## HARDWARE IDENTIFICATION

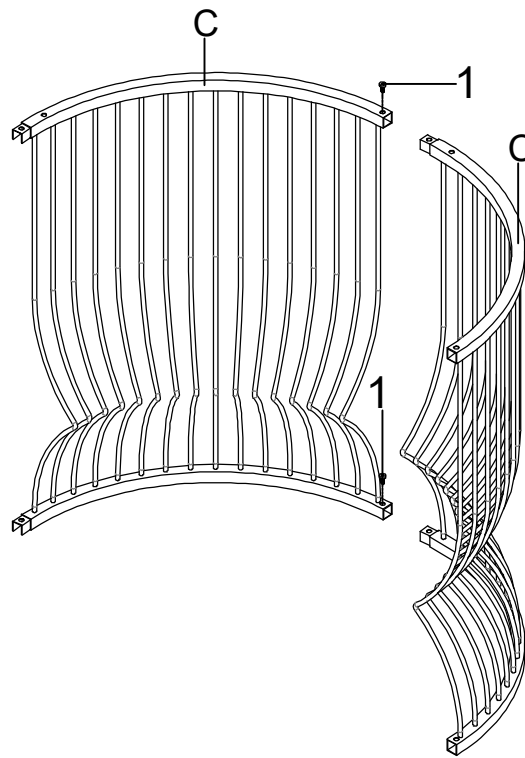
1	BOLT (1/4" x 12mm BLK)		12PCS
2	SUCTION CUP		4PCS
3	LEVELER (1/4" x 12mm BLK)		4PCS
4	ALLEN KEY (4mm)		1PC

ITEM:193511

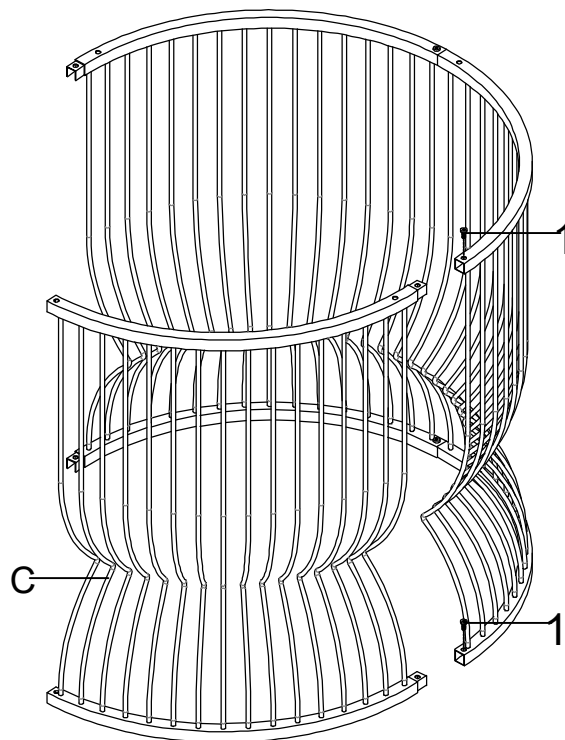
# ASSEMBLY INSTRUCTIONS



**STEP 1** Do not tighten until each step is completed or instructed.



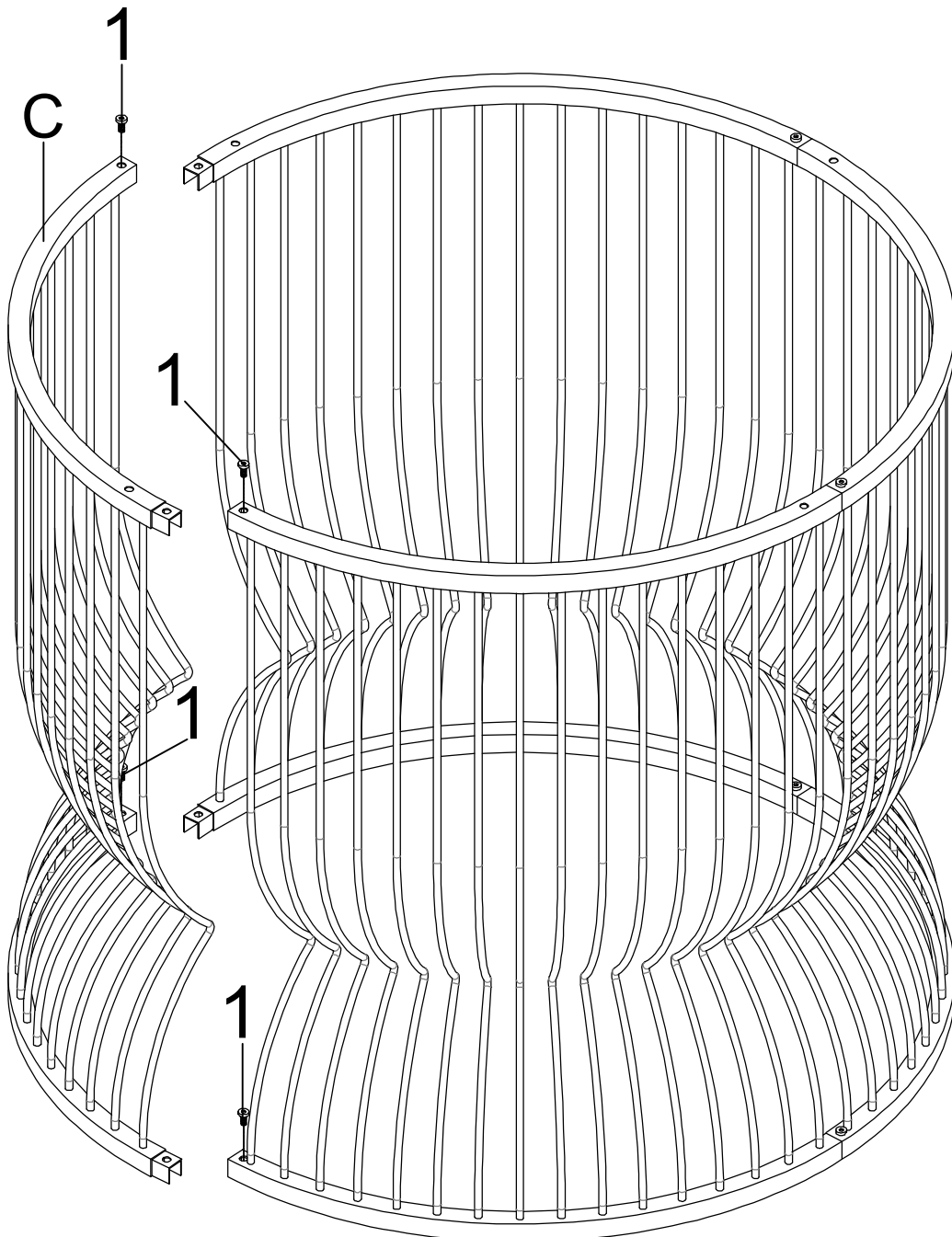
## STEP 2



ITEM:193511

# ASSEMBLY INSTRUCTIONS

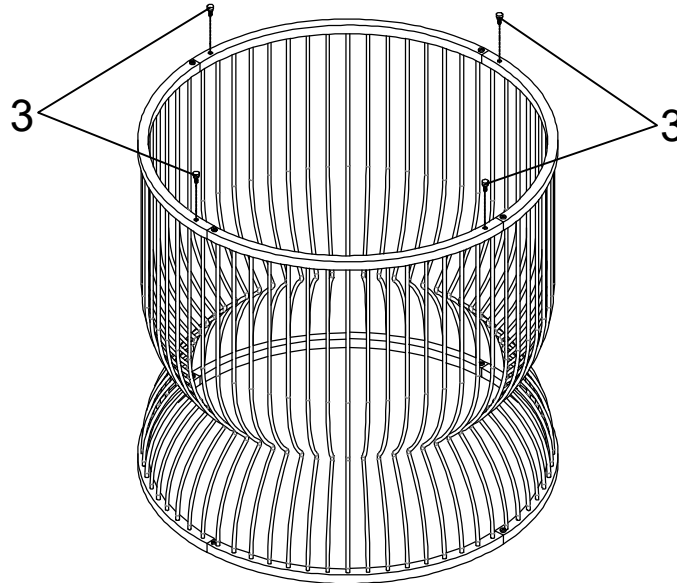
## STEP 3



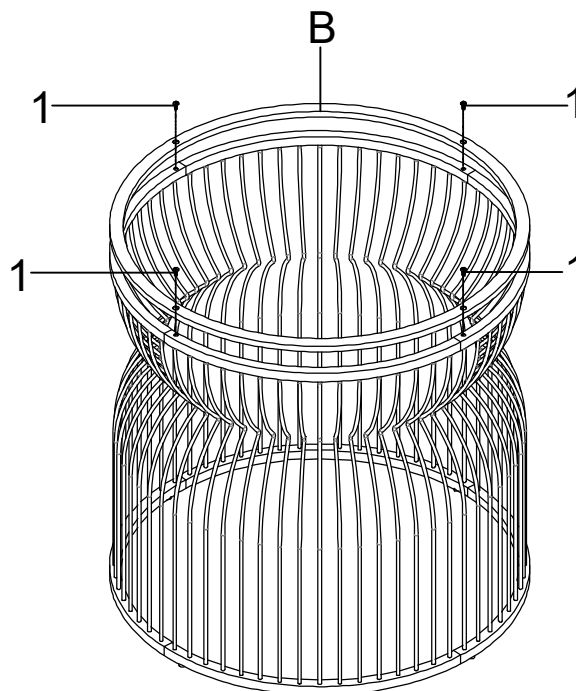
ITEM:193511

# ASSEMBLY INSTRUCTIONS

## STEP 4



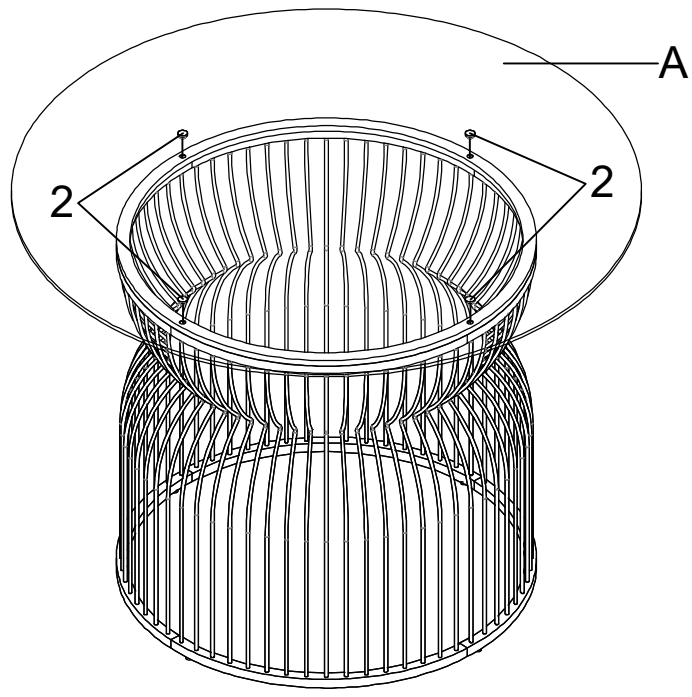
## STEP 5



ITEM:193511  
ASSEMBLY INSTRUCTIONS

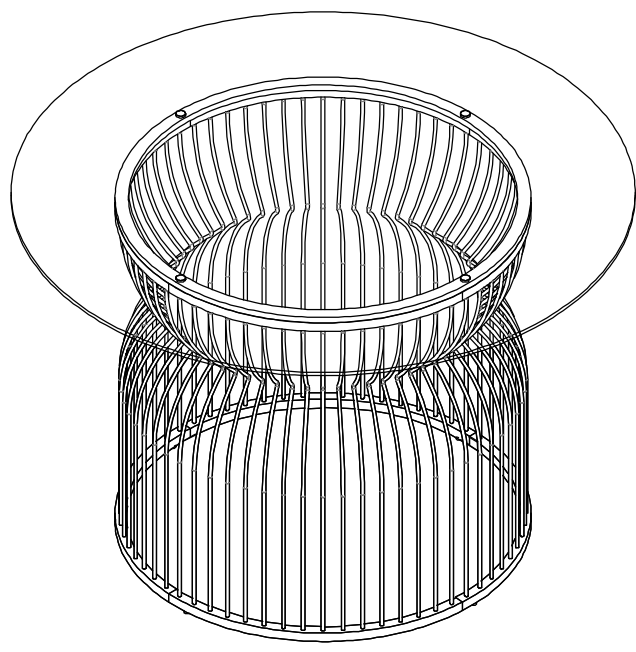


STEP 6 \*GLASS SOLD SEPARATELY.\*



STEP 7 \*GLASS SOLD SEPARATELY.\*

COMPLETE

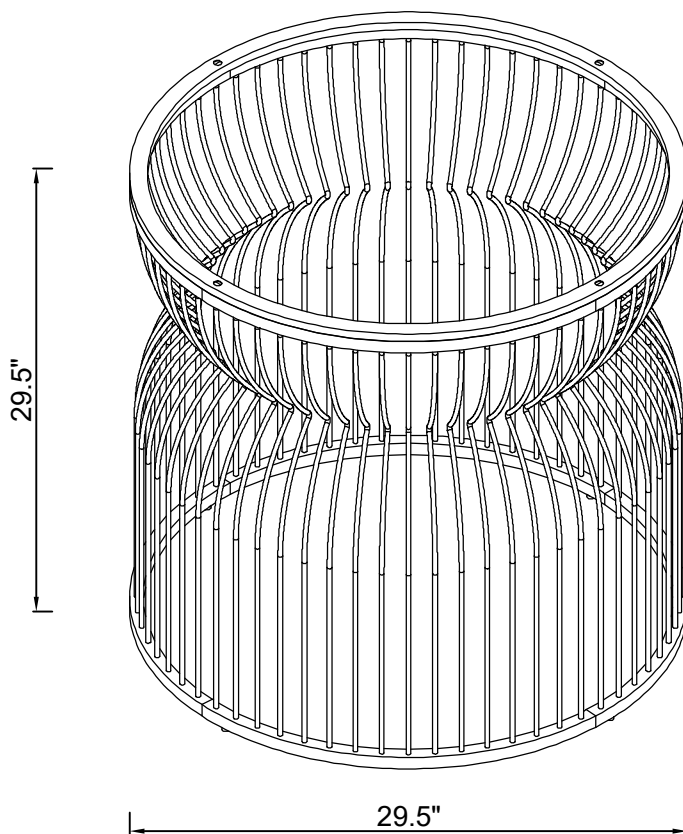


# ITEM:193511 ASSEMBLY INSTRUCTIONS

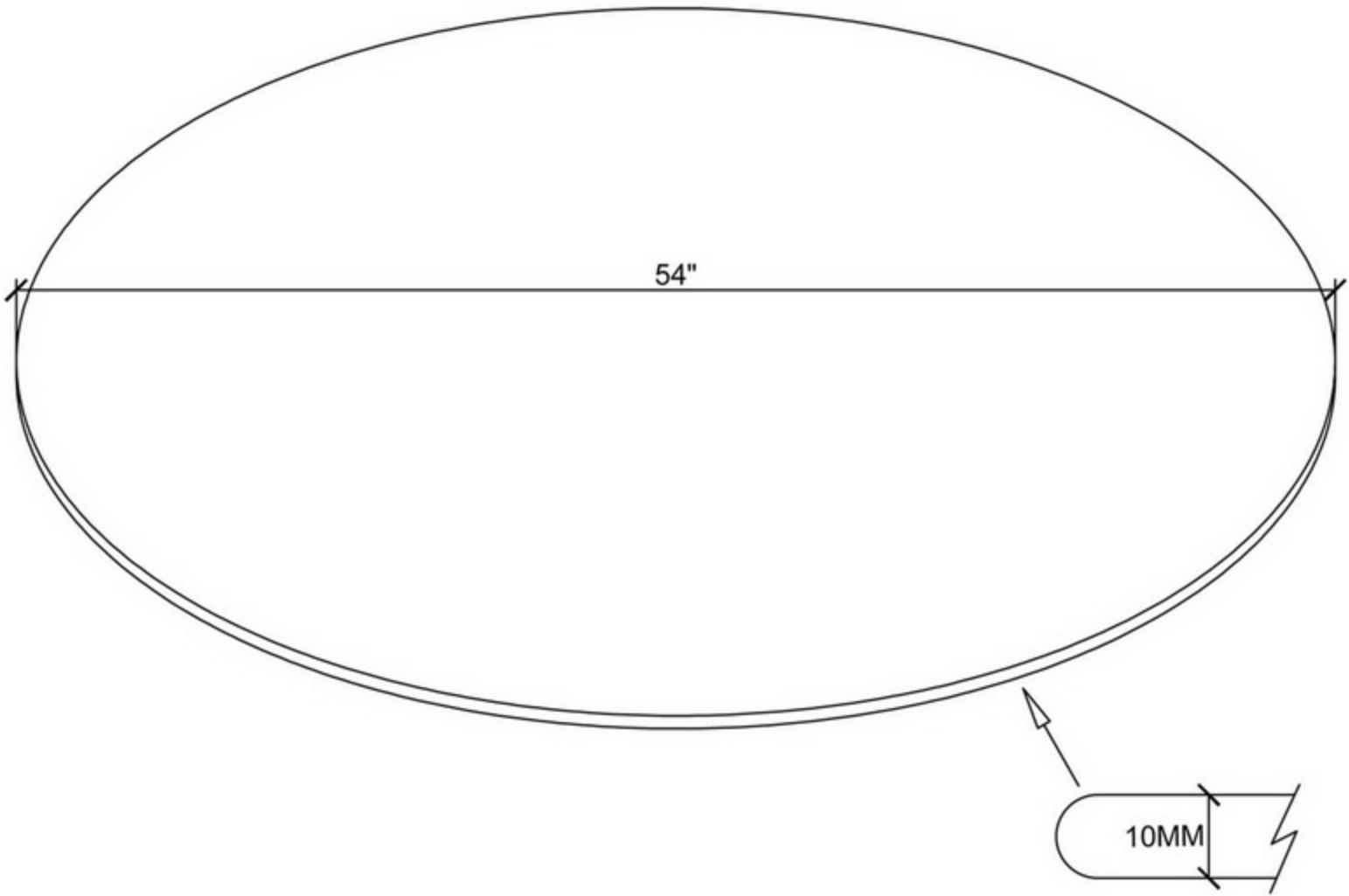


**Product Size : 749 DIA X 749 H (MM)**

**Product Size : 29.5" DIA X 29.5"**



Note : Dimension tolerance  $\pm 5\%$





54"

30"

29.5"

29.5"

