

**ASSEMBLY INSTRUCTIONS**  
**COASTER FINE FURNITURE**



*Fine Furniture for every stage of life*

**800891**  
**COMPUTER DESK**

# ITEM: 800891

## ASSEMBLY INSTRUCTIONS

### ASSEMBLY TIPS:

1. Remove hardware from box and sort by size.
2. Please check to see that all hardware and parts are present prior to start of assembly.
3. Please follow attached instructions in the same sequence as numbered to assure fast & easy assembly.



### WARNING!

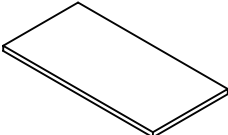
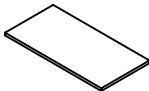
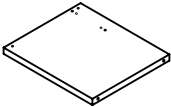
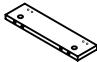
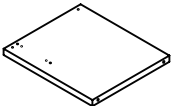
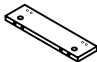
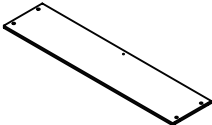
1. Don't attempt to repair or modify parts that are broken or defective. Please contact the store immediately.
2. This product is for home use only and not intended for commercial establishments.




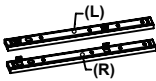
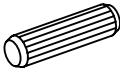





ASSEMBLY TIME

30 MINUTES

## PARTS IDENTIFICATION

A	TOP PANEL		1 PC	E	KEYBOARD SHELF		1 PC
B	LEFT SIDE PANEL		1 PC	F	LEFT DIVIDER PANEL		1 PC
C	RIGHT SIDE PANEL		1 PC	G	RIGHT DIVIDER PANEL		1 PC
D	BACK PANEL		1 PC				

## HARDWARE IDENTIFICATION




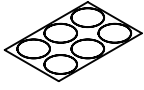
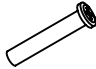
Z	NO	DESCRIPTION	FIGURE	Q'TY	NO	DESCRIPTION	FIGURE	Q'TY
	1	GLUE 15g		1 PC	5	RAIL L = 300mm SR		1 SET
	2	WOODEN DOWEL Ø 8x30mm		8 PCS	6	SCREW Ø 3.5x12.5mm SR		12 PCS
	3	CAM LOCK Ø 15x12mm SR		8 PCS	7	ADJUSTMENT FEET Ø 35x17.2mm		4 PCS
	4	CAM BOLT Ø 7x35.5mm SR		8 PCS	8	COUPLER		5 PCS

### NOTE:

Phillips head screw driver is required in the assembly process; however, manufacturer does not provide this item.

ITEM: 800891

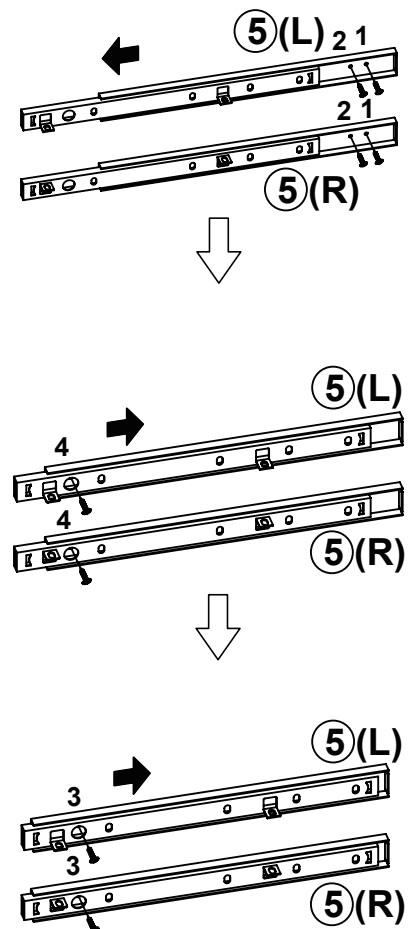
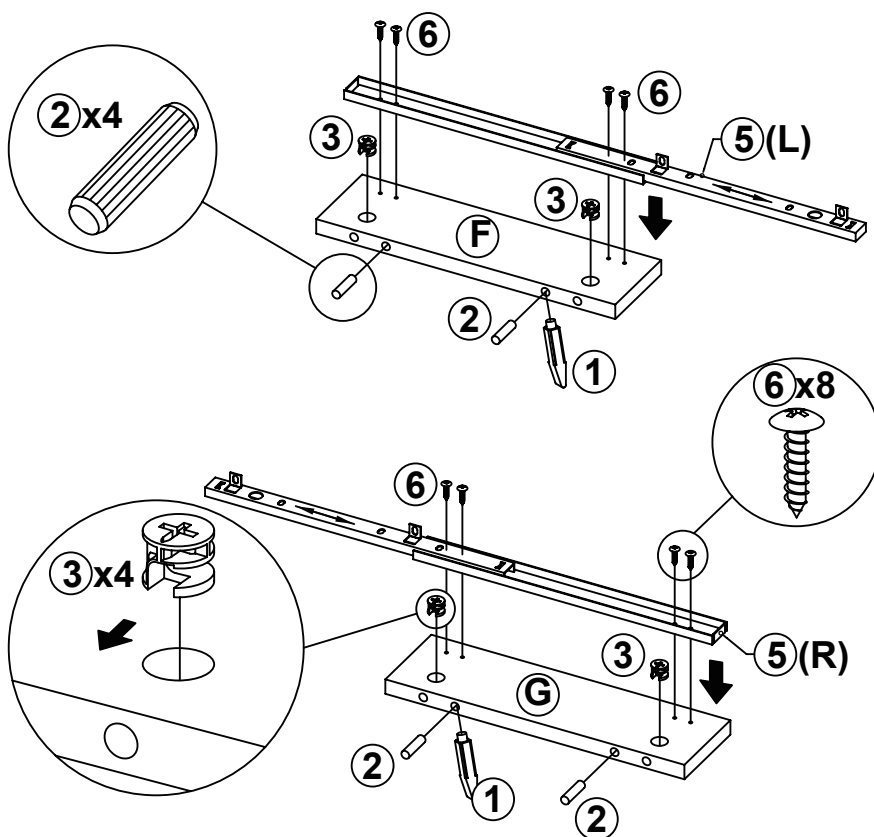
**HARDWARE IDENTIFICATION**

Z	NO	DESCRIPTION	FIGURE	Q'TY	NO	DESCRIPTION	FIGURE	Q'TY
	9	SCREW Ø 4.2x25.4mm RBW		10 PCS	12	BOLT Ø 6.2x18mm SR		1 PC
	10	BOLT Ø 4.5x12mm SR		5 PCS	13	STICKER Ø 20mm		2 PCS
	11	BOLT Ø 6.2x45mm SR		4 PCS				

Z5,Z6,Z7,Z8 not included in blister packaging.

**STEP 1**

Apply glue on all wooden dowels to ensure integrity of the structure.

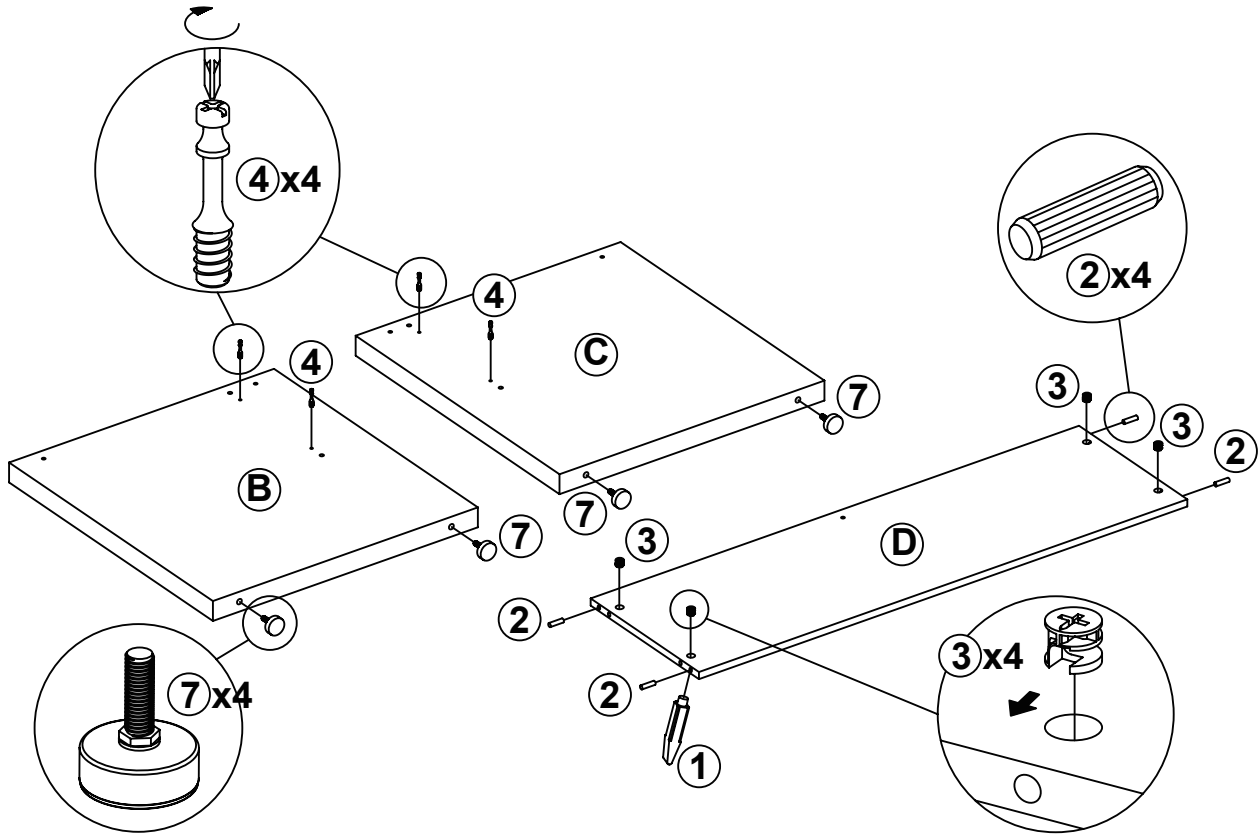


**NOTE:**

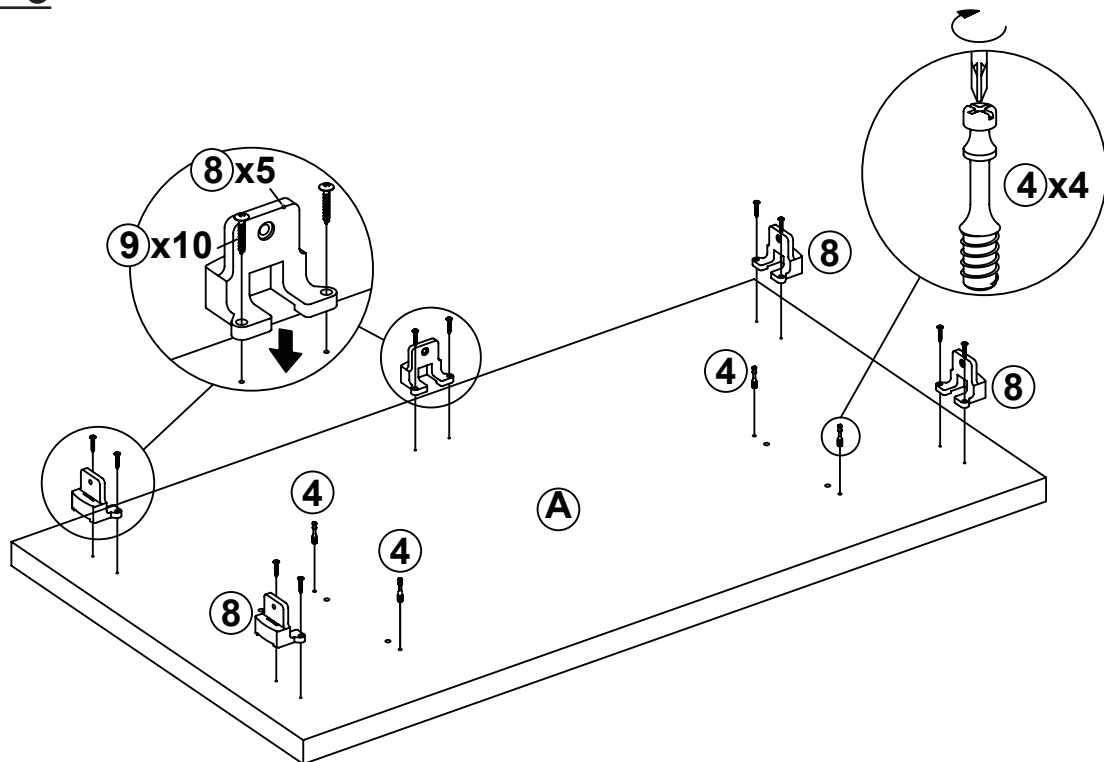
Phillips head screw driver is required in the assembly process; however, manufacturer does not provide this item.

ITEM: **800891**

**STEP 2**



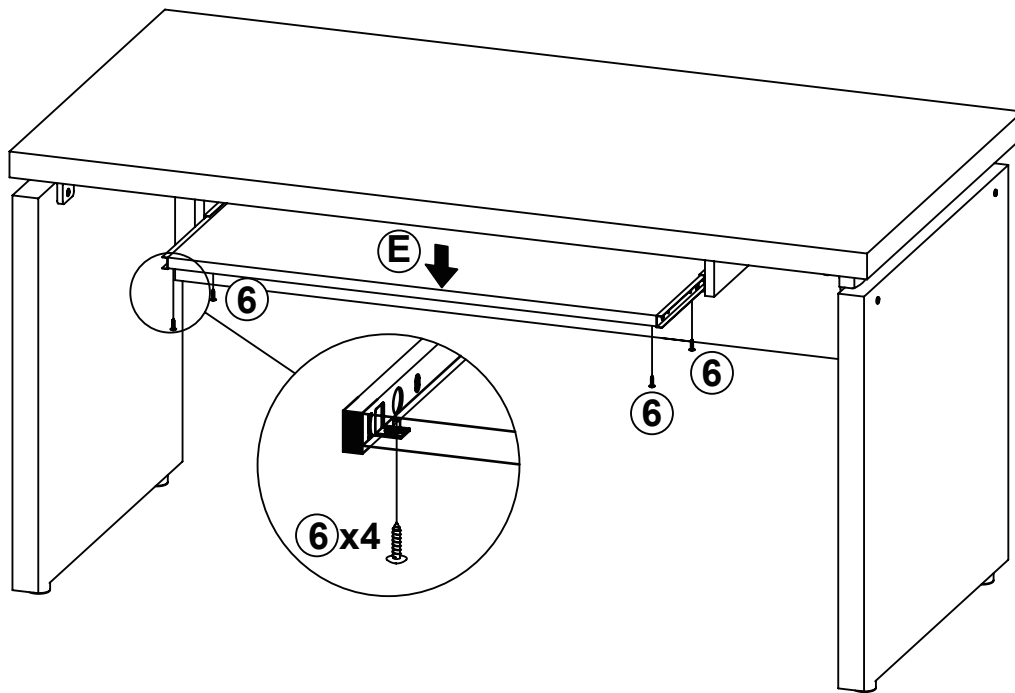
**STEP 3**





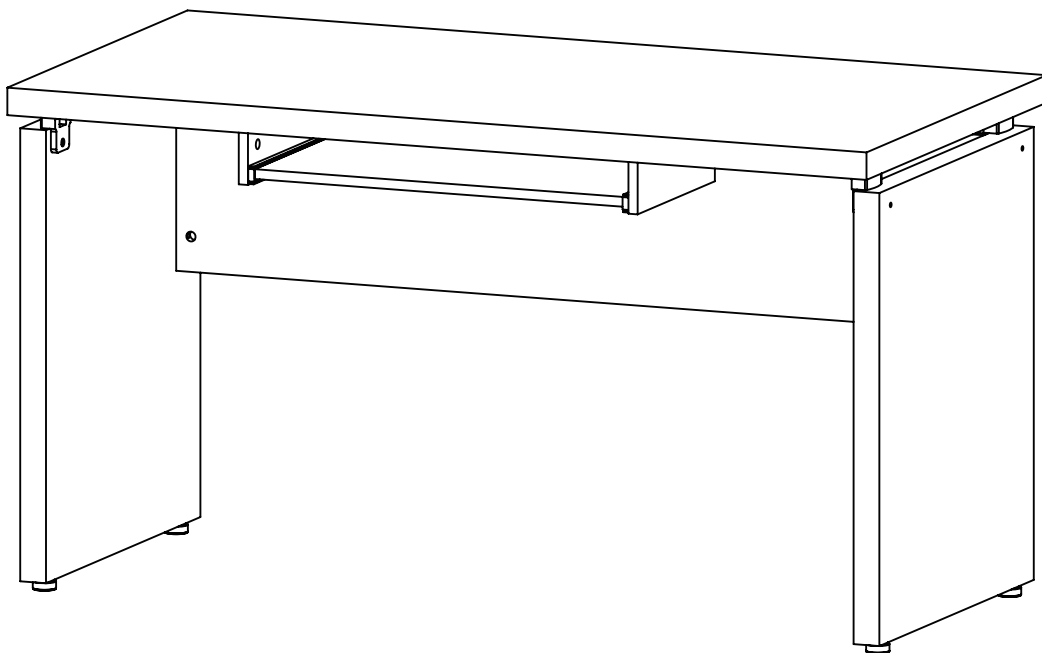
ITEM: **800891**

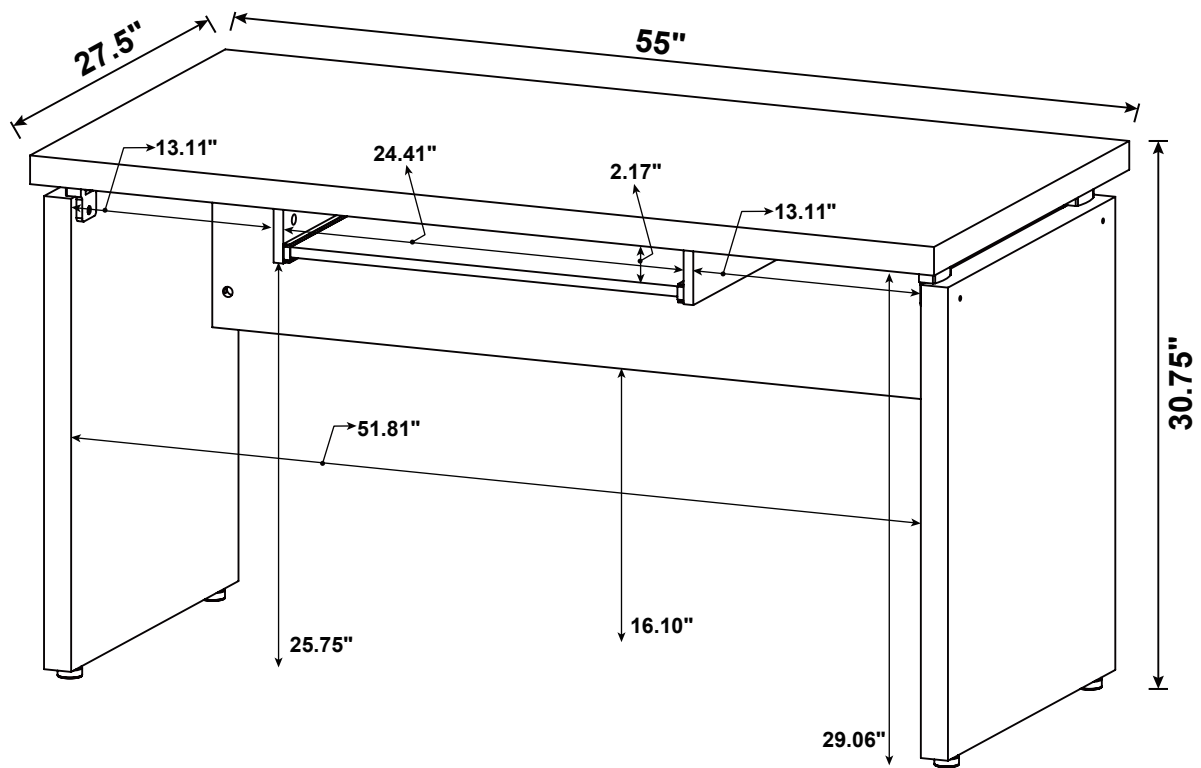
**STEP 6**



**STEP 7**

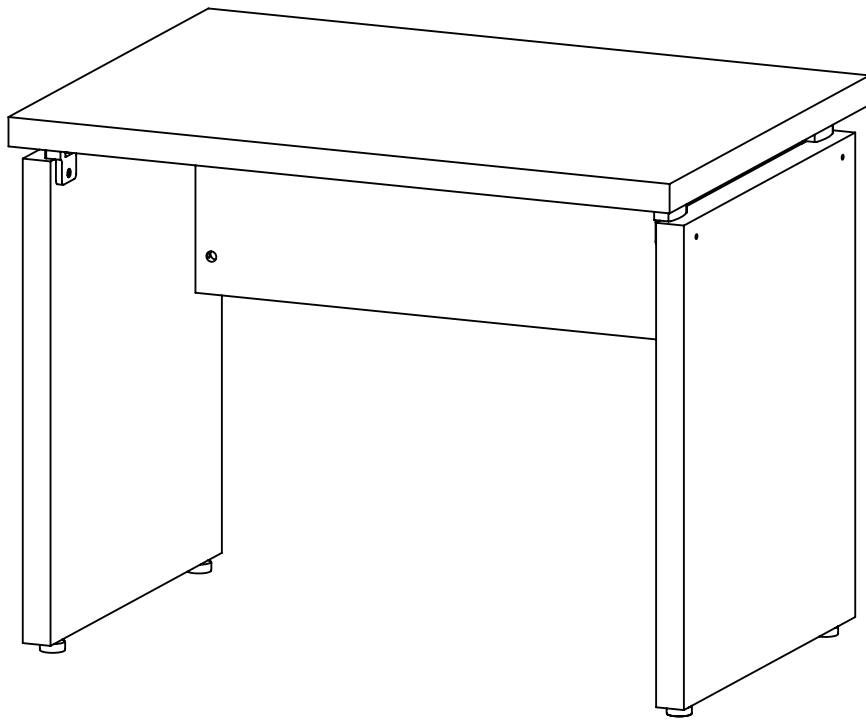
**COMPLETE**





Note : Dimension tolerance  $\pm 5\%$

**ASSEMBLY INSTRUCTIONS**  
**COASTER FINE FURNITURE**



*Fine Furniture for every stage of life*

**800892**  
**DESK RETURN**



# ITEM:800892

## ASSEMBLY INSTRUCTIONS

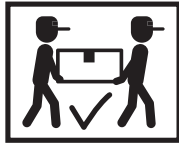
### ASSEMBLY TIPS:

1. Remove hardware from box and sort by size.
2. Please check to see that all hardware and parts are present prior to start of assembly.
3. Please follow attached instructions in the same sequence as numbered to assure fast & easy assembly.



### WARNING!

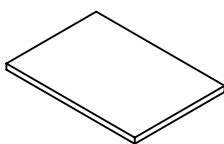
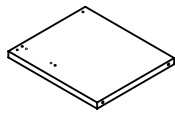
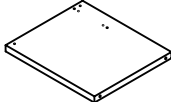
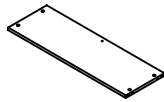
1. Don't attempt to repair or modify parts that are broken or defective. Please contact the store immediately.
2. This product is for home use only and not intended for commercial establishments.












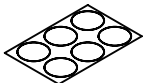

ASSEMBLY TIME

20 MINUTES

## PARTS IDENTIFICATION

A	TOP PANEL		1 PC	C	RIGHT SIDE PANEL		1 PC
B	LEFT SIDE PANEL		1 PC	D	BACK PANEL		1 PC

## HARDWARE IDENTIFICATION

Z	NO	DESCRIPTION	FIGURE	Q'TY	NO	DESCRIPTION	FIGURE	Q'TY
	1	GLUE 15g		1 PC	7	BOLT Ø 6.2x45mm SR		4 PCS
	2	CAM BOLT Ø 7x35.5mm SR		4 PCS	8	BOLT Ø 6.2x18mm SR		1 PC
	3	CAM LOCK Ø 15x12mm SR		4 PCS	9	SCREW Ø 4.2x25.4mm RBW		10 PCS
	4	ADJUSTMENT FEET Ø 35x17.2mm		4 PCS	10	WOODEN DOWEL Ø 8x30mm		4 PCS
	5	COUPLER		5 PCS	11	STICKER Ø 20mm		1 PC
	6	BOLT Ø 4.5x12mm SR		5 PCS				

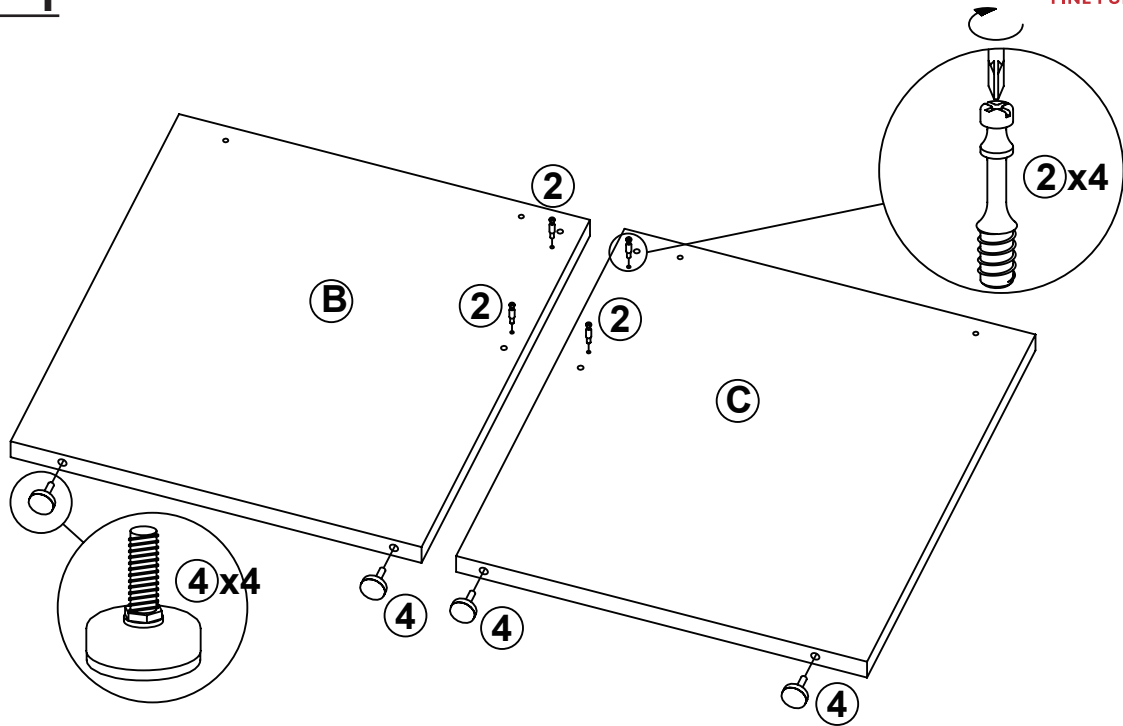
Z4,Z5 not included in blister packaging.

### NOTE:

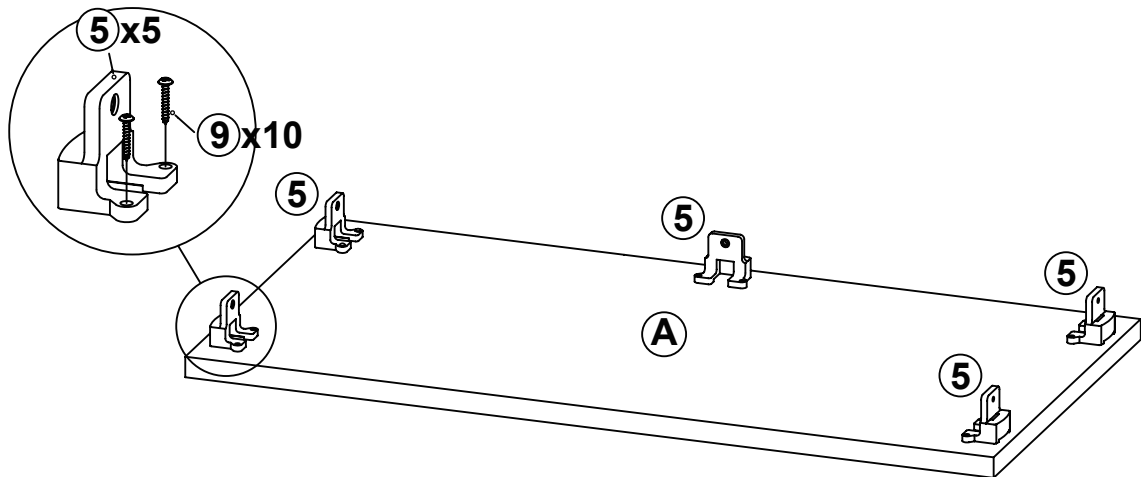
Phillips head screw driver is required in the assembly process; however, manufacturer does not provide this item.

ITEM: 800892

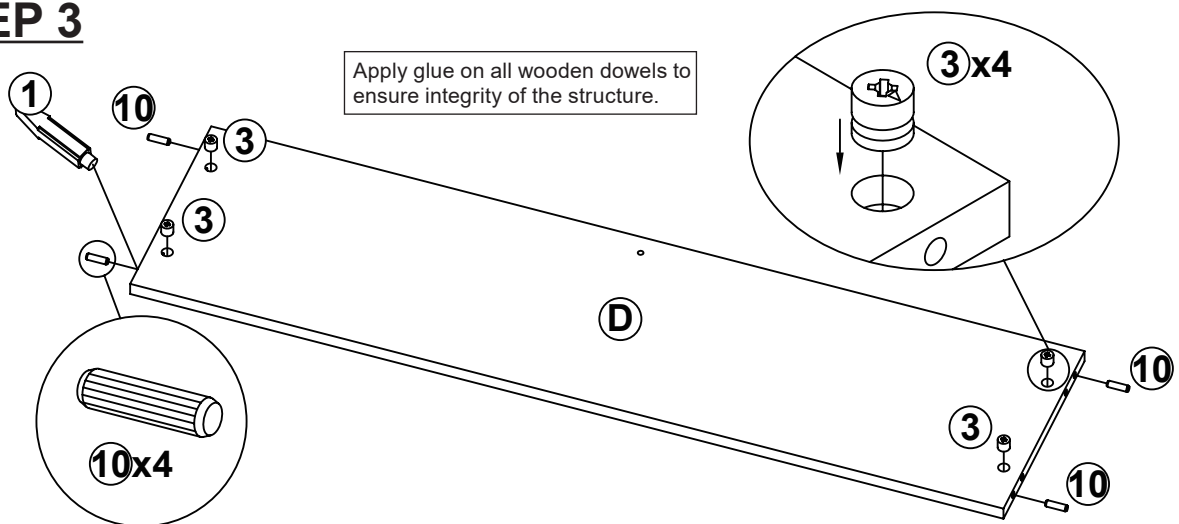
**STEP 1**



**STEP 2**

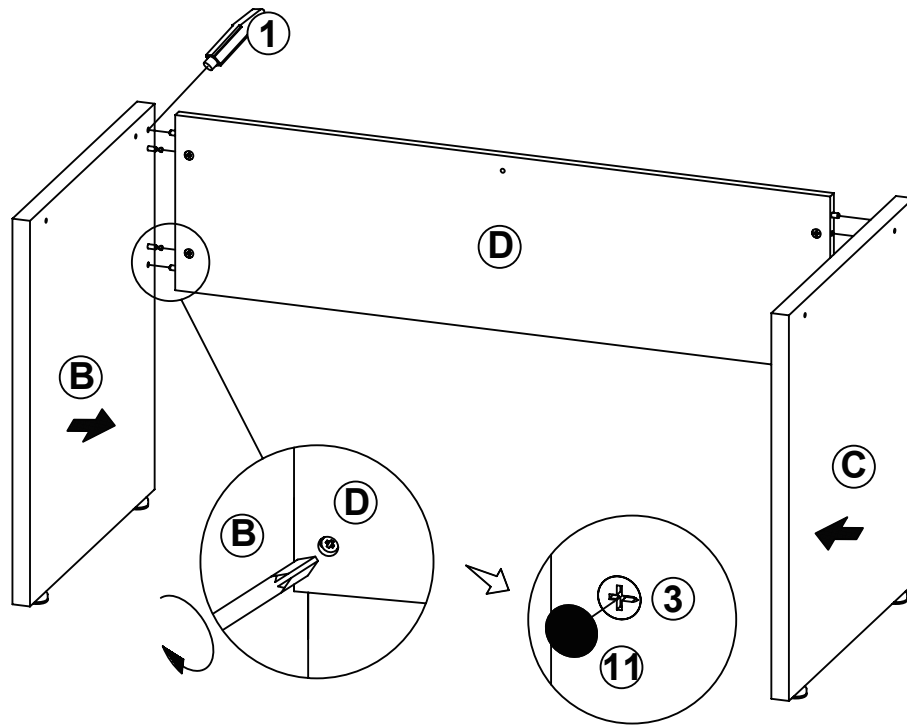


**STEP 3**

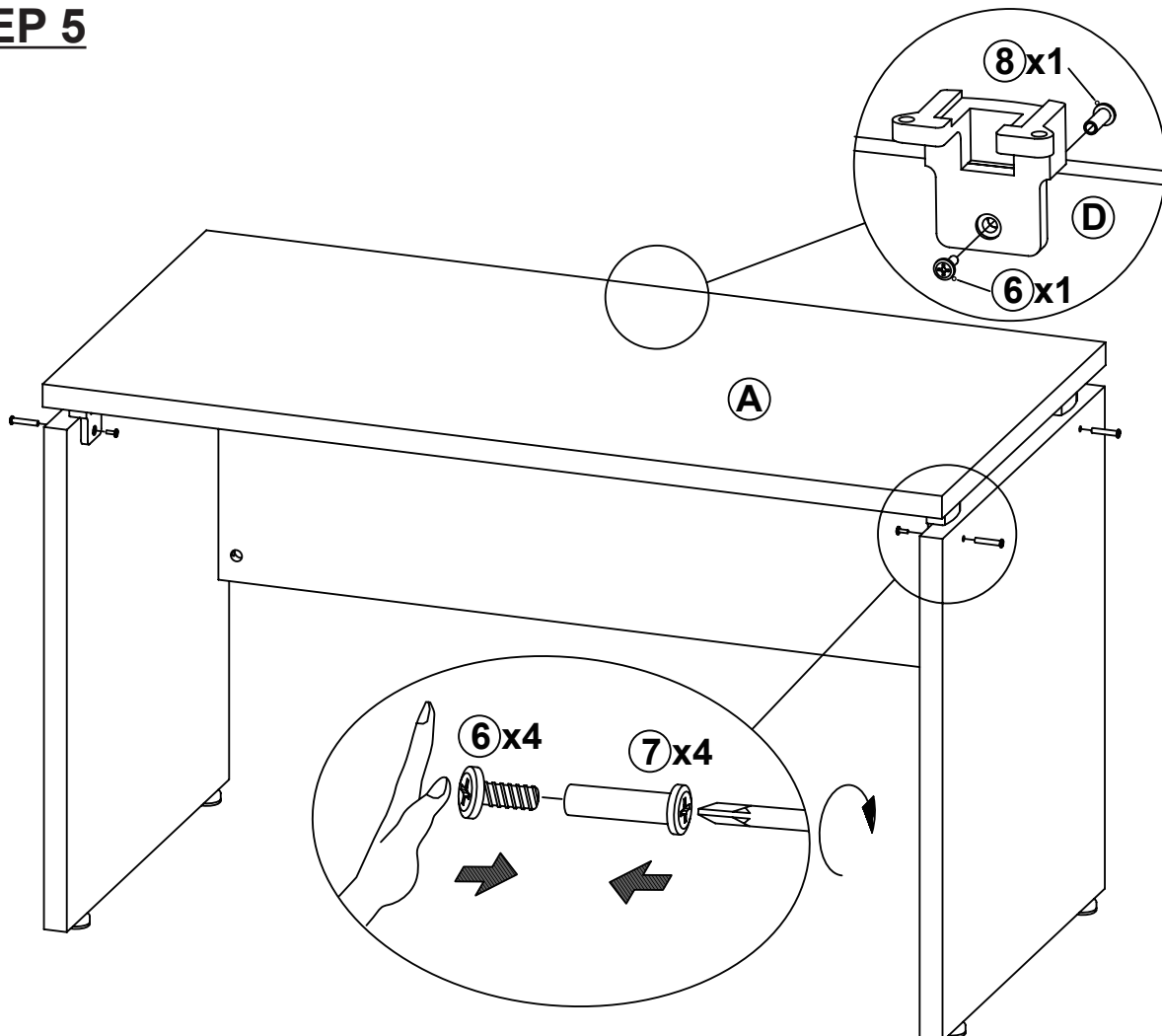


ITEM: 800892

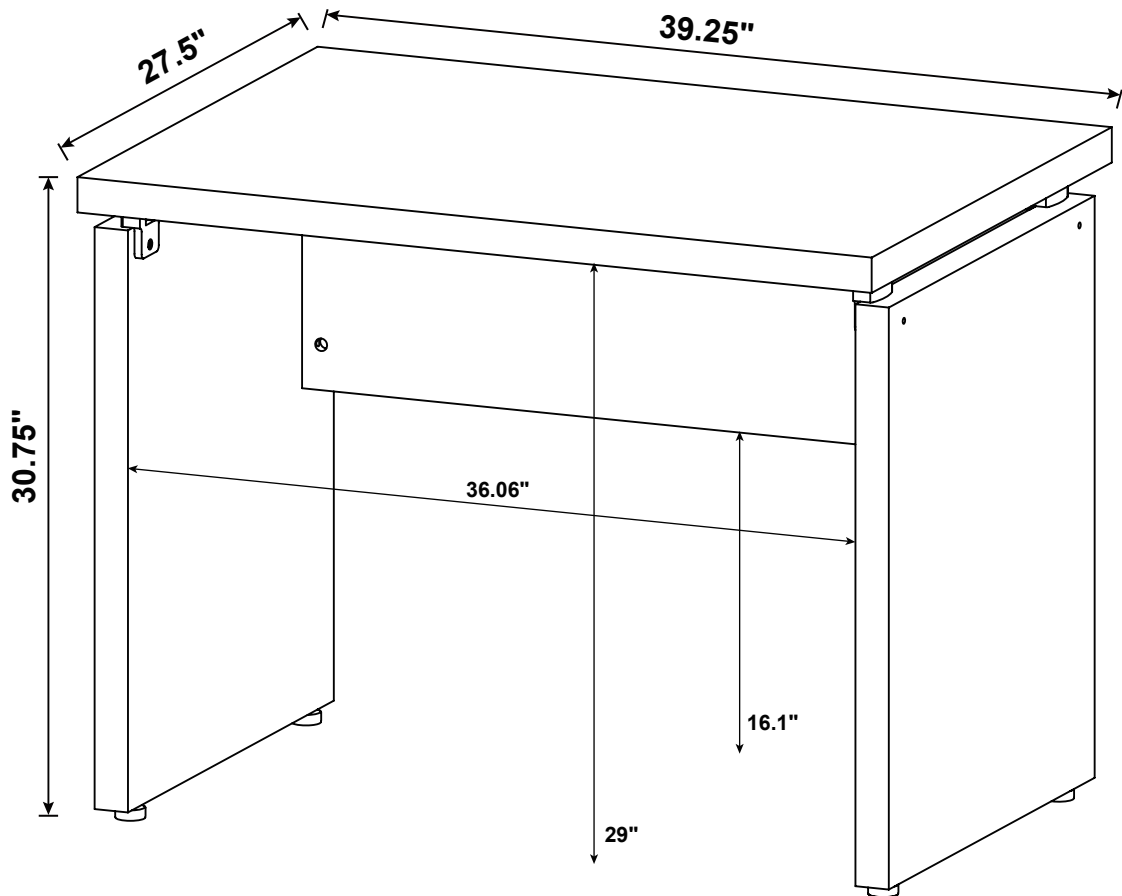
**STEP 4**



**STEP 5**

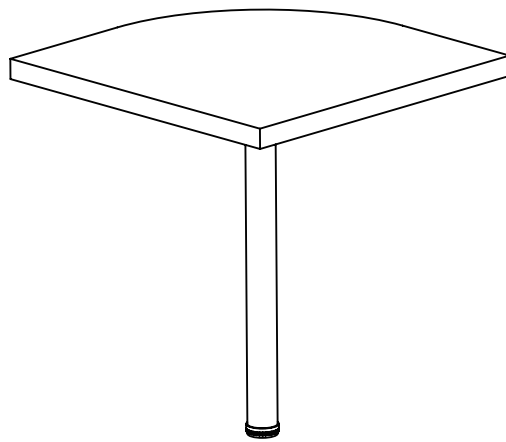


ITEM: 800892



Note : Dimension tolerance  $\pm 5\%$

**ASSEMBLY INSTRUCTIONS**  
**COASTER FINE FURNITURE**



*Fine Furniture for every stage of life*

**800893**  
**CORNER TABLE**

# ITEM:800893

## ASSEMBLY INSTRUCTIONS

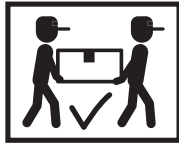
### ASSEMBLY TIPS:

1. Remove hardware from box and sort by size.
2. Please check to see that all hardware and parts are present prior to start of assembly.
3. Please follow attached instructions in the same sequence as numbered to assure fast & easy assembly.



### WARNING!

1. Don't attempt to repair or modify parts that are broken or defective. Please contact the store immediately.
2. This product is for home use only and not intended for commercial establishments.



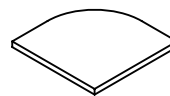
ASSEMBLY TIME

15 MINUTES

## PARTS IDENTIFICATION

A

TOP PANEL



1 PC

## HARDWARE IDENTIFICATION

Z

NO

DESCRIPTION

FIGURE

Q'TY

1

LEG PLATE  
BLK



1 PC

2

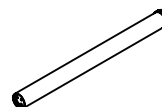
METAL PLATE  
BLK



4 PCS

3

IRON PIPE  
Ø 60x734mm SR



1 PC

4

BOLT  
M 8x39mm BLK



1 PC

5

SCREW  
Ø 4x16mm RBW



20 PCS

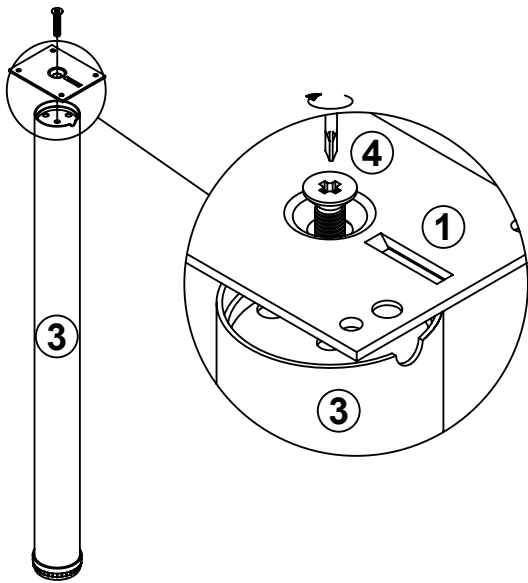
Z1,Z2,Z3 not included in blister packaging.

### NOTE:

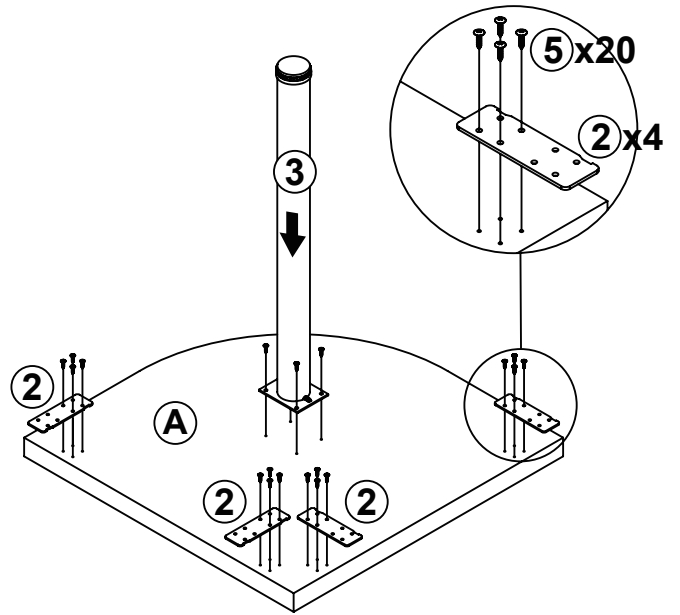
Phillips head screw driver is required in the assembly process; however, manufacturer does not provide this item.

ITEM: **800893**

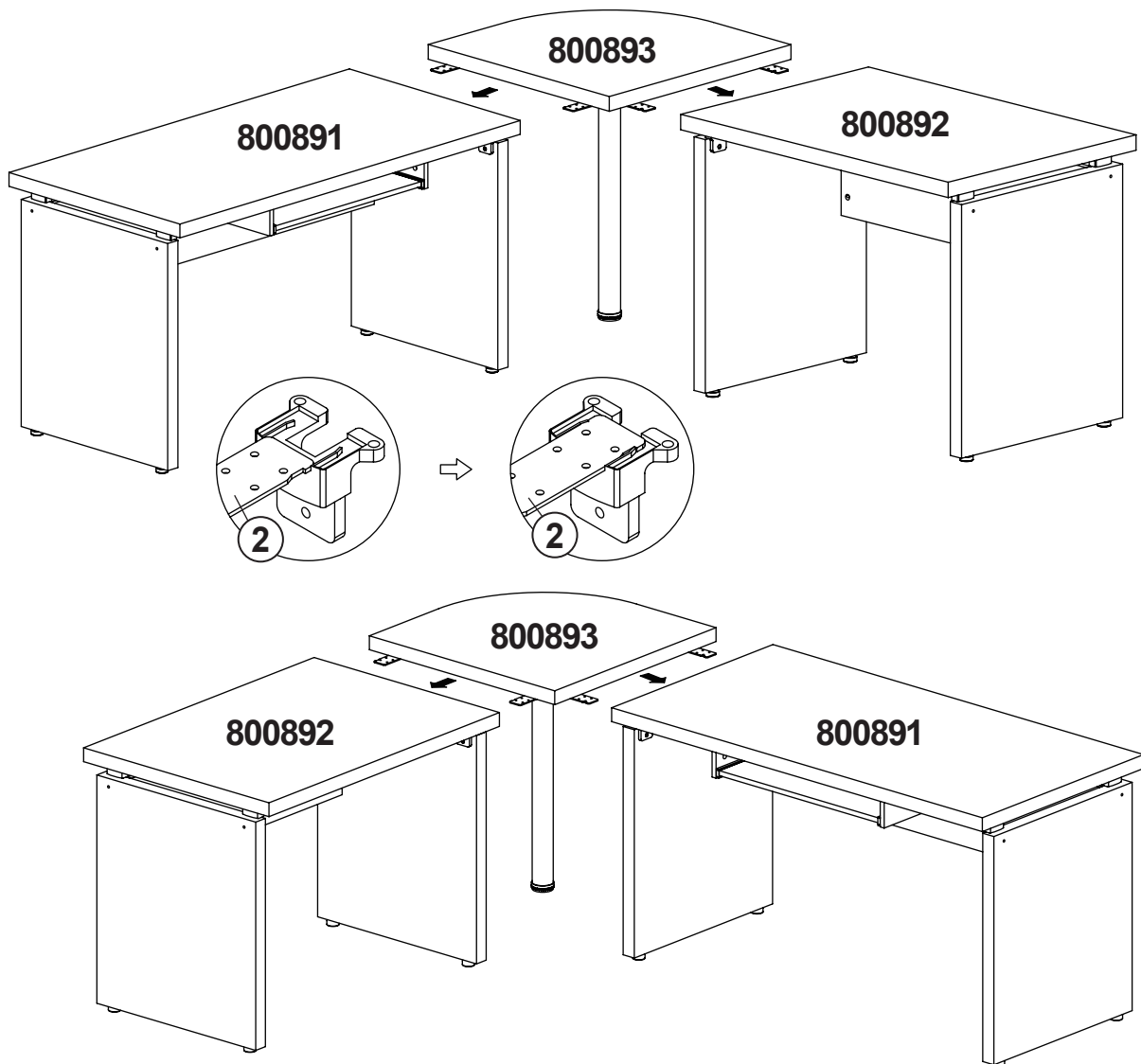
**STEP 1**



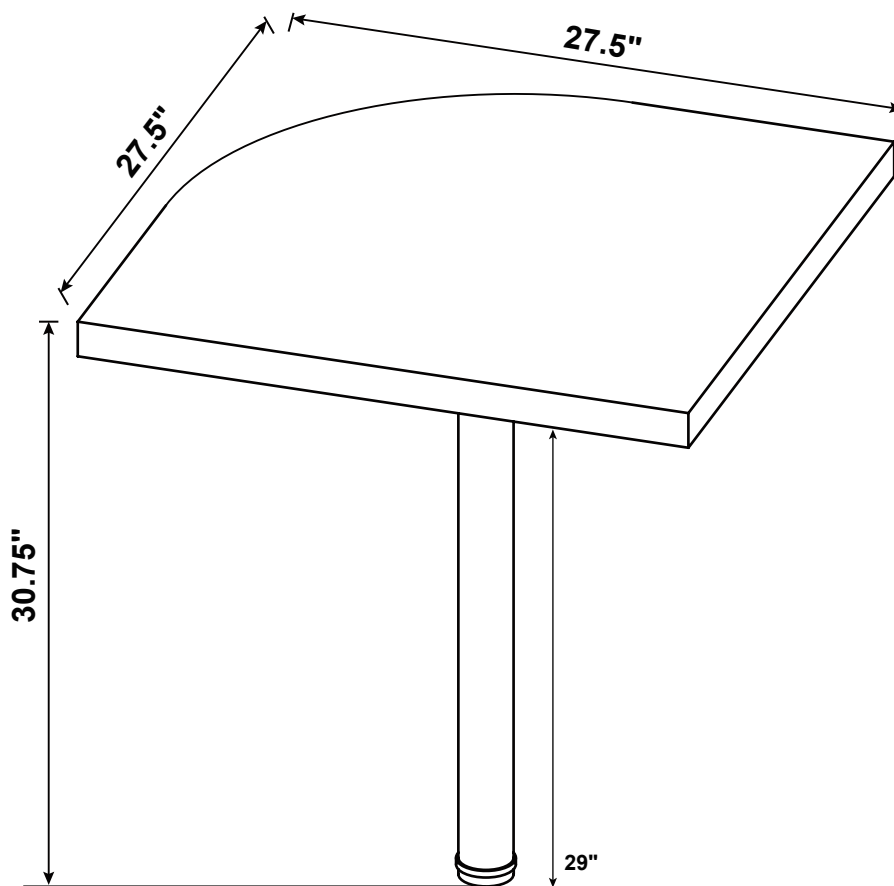
**STEP 2**



**STEP 3**



ITEM: 800893



**Note :** Dimension tolerance  $\pm 5\%$