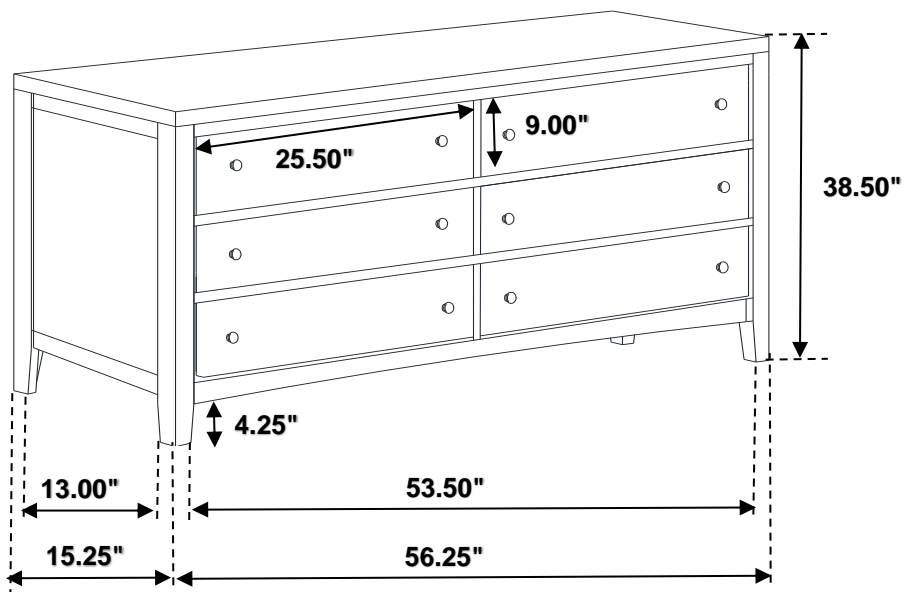


ITEM:202093



Inner Size of Drawer : 23.00"W X 12.50"D X 5.25"H x 0.25"T



Note: Dimension tolerance $\pm 5\%$

ASSEMBLY INSTRUCTIONS
COASTER FINE FURNITURE



Fine Furniture for every stage of life

202094
Mirror

ITEM: **202094**



ASSEMBLY INSTRUCTIONS

ASSEMBLY TIPS:

1. Remove hardware from box and sort by size.
2. Please check to see that all hardware and parts are present prior to start of assembly.
3. Please follow attached instructions in the same sequence as numbered to assure fast & easy assembly.



WARNING!

1. Don't attempt to repair or modify parts that are broken or defective. Please contact the store immediately.
2. This product is for home use only and not intended for commercial establishments.

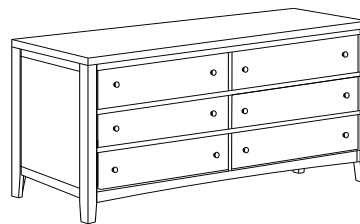


ASSEMBLY TIME

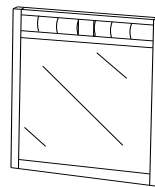
10 MINUTES

PARTS IDENTIFICATION

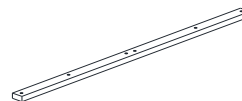
A **DRESSER** **FROM BOX ITEM # 202093** **1PC**



B **MIRROR** **1PC**



C **MIRROR SUPPORT** **(PACK WITH DRESSER)** **2PCS**



HARDWARE IDENTIFICATION

1 **FLAT HEAD SCREW** **(M4 x 32mm - RBW)** **10PCS**



NOTE:

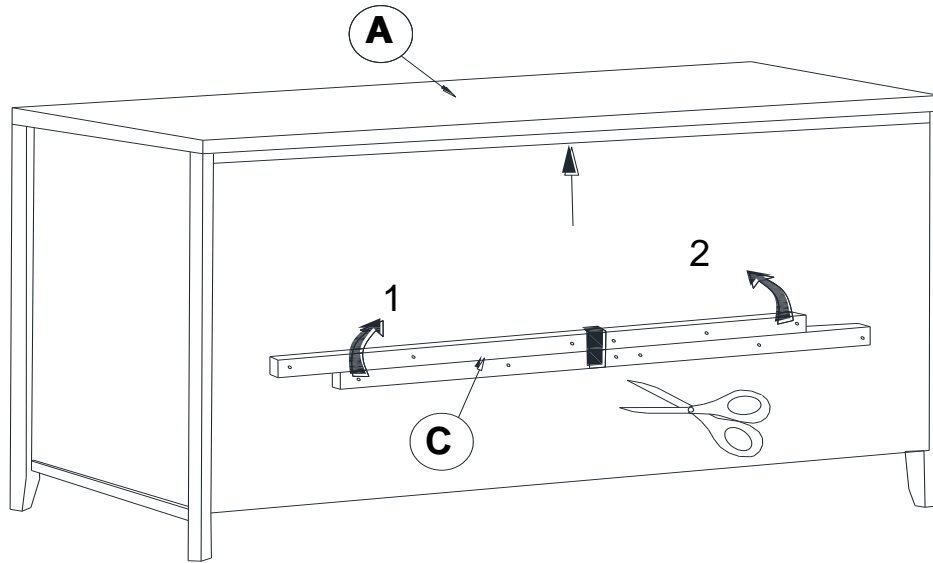
Phillips head screw driver is required in the assembly process; however, manufacturer does not provide this item.

ITEM: 202094

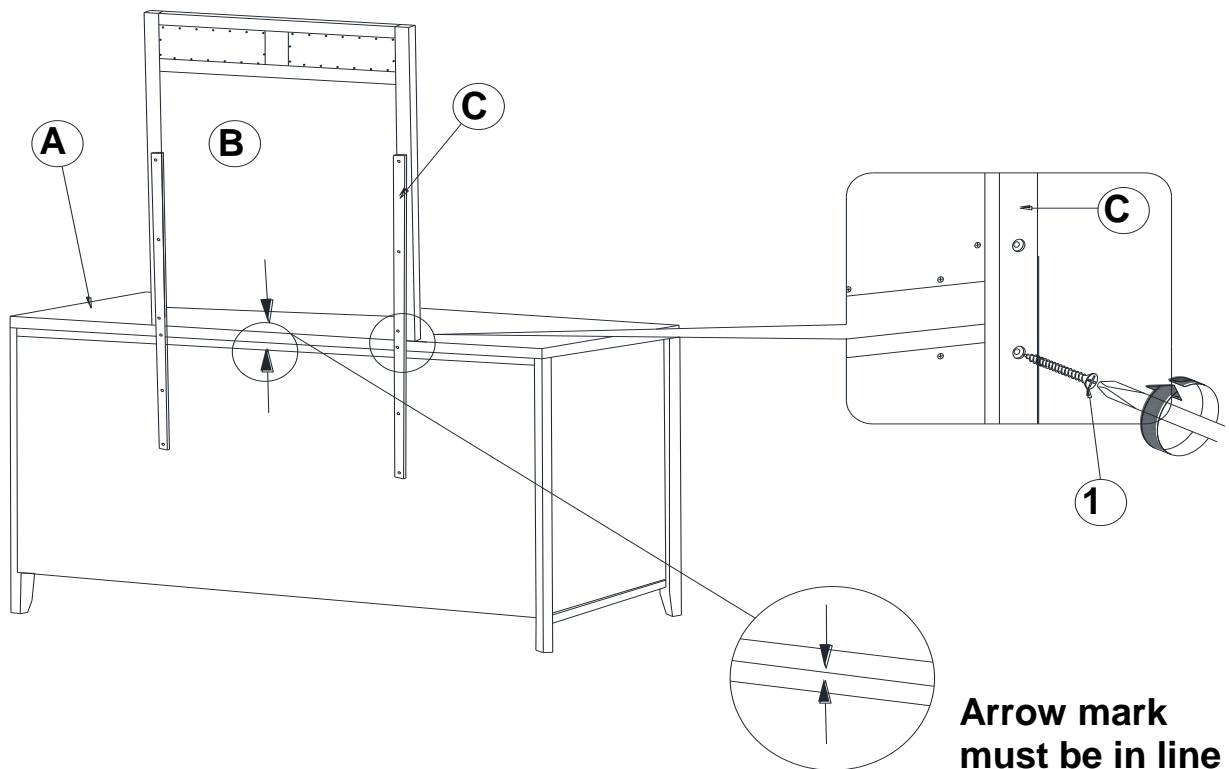


ASSEMBLY INSTRUCTIONS

STEP 1



STEP 2



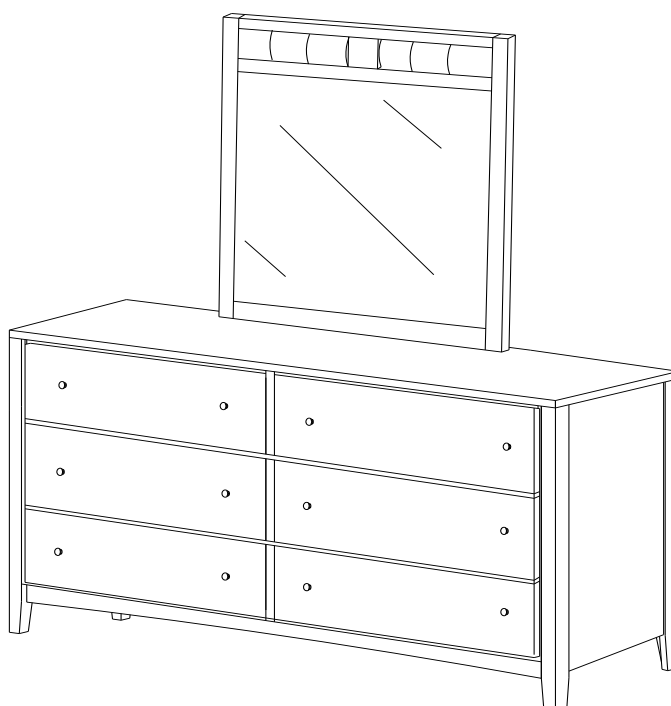
ITEM: **202094**



ASSEMBLY INSTRUCTIONS

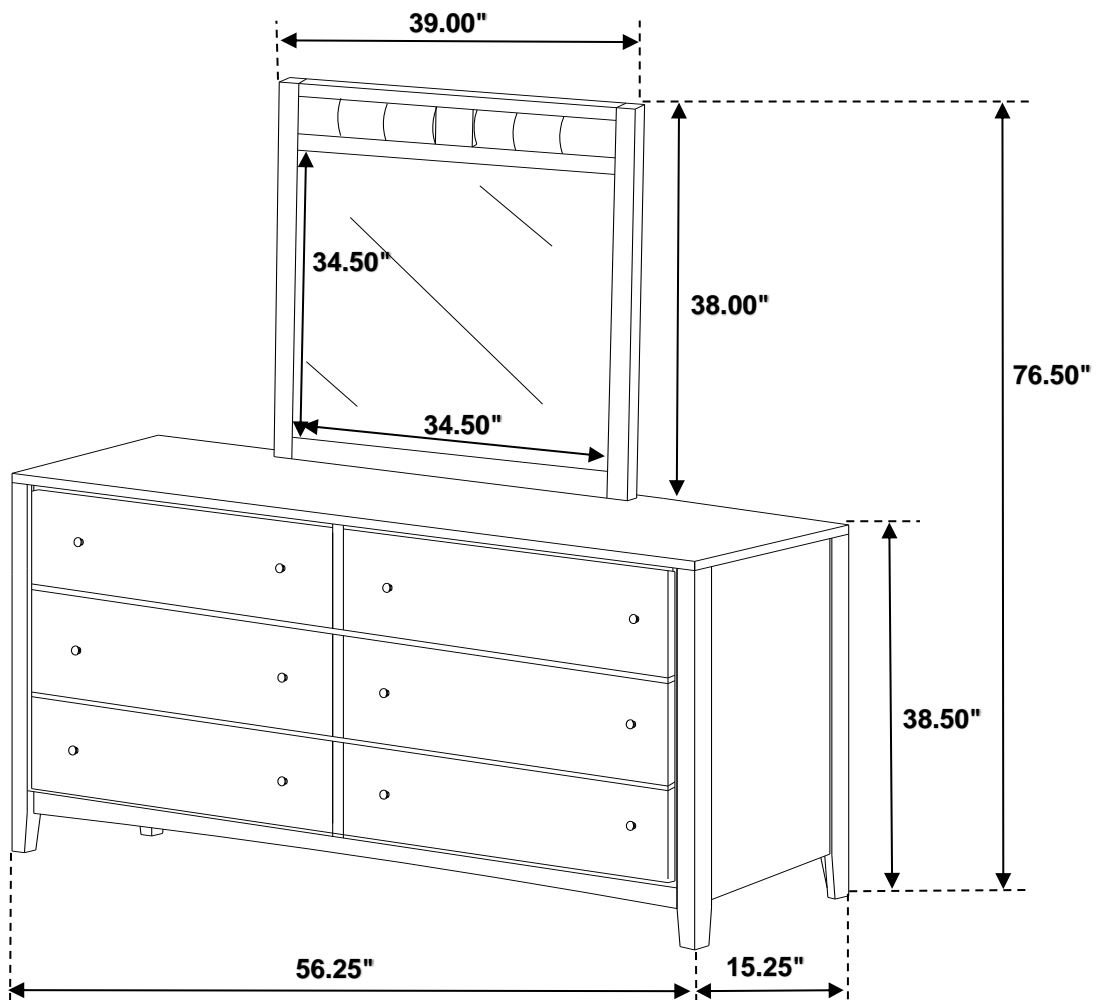
STEP 3

COMPLETE



ITEM: 202094

COASTER
FINE FURNITURE



Note : Dimension tolerance $\pm 5\%$