

ASSEMBLY INSTRUCTIONS
COASTER FINE FURNITURE



Fine Furniture for every stage of life

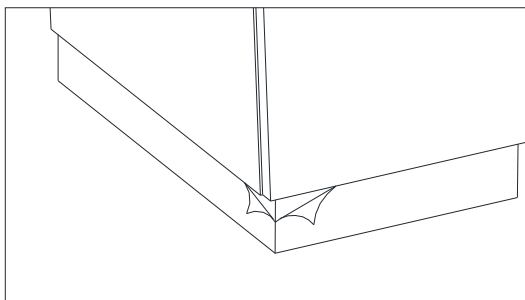
203503
Dresser

ITEM: **203503**

ASSEMBLY INSTRUCTIONS



REMOVAL OF PROTECTIVE FILM



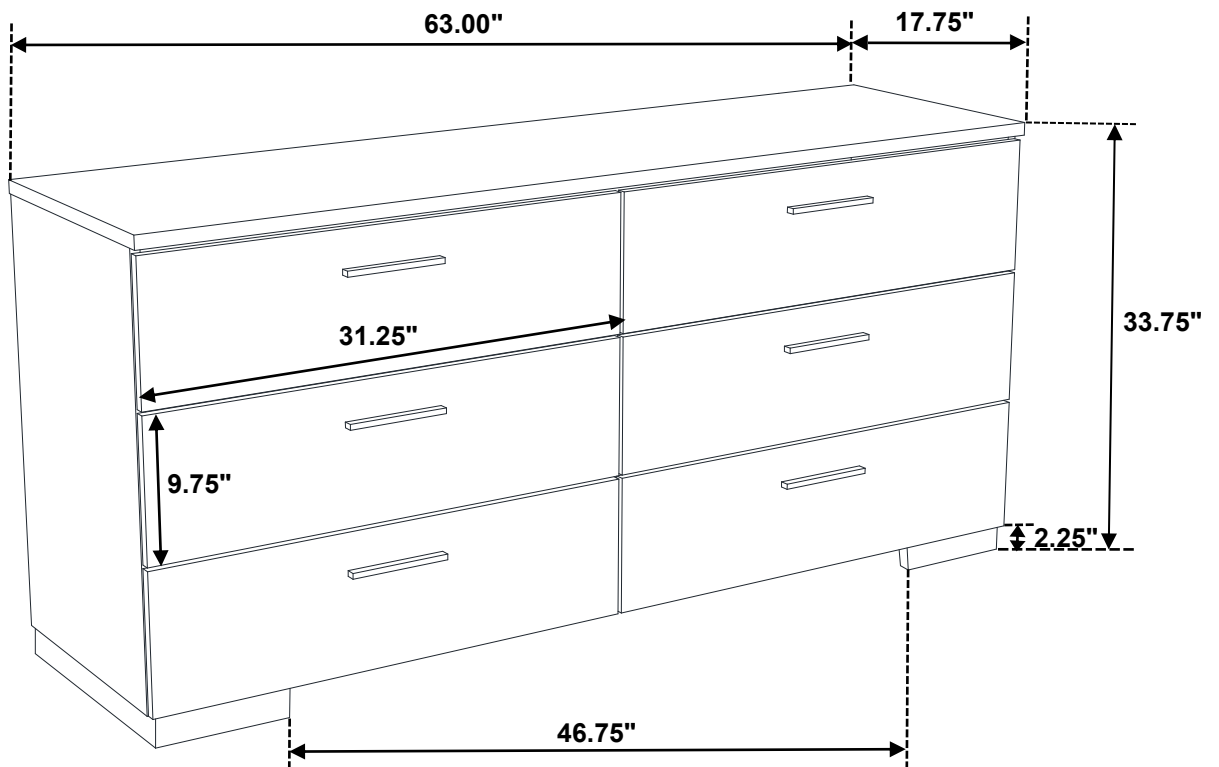
**PLEASE REMOVE THE
PROTECTIVE FILM
BEFORE USE**



ITEM:203503

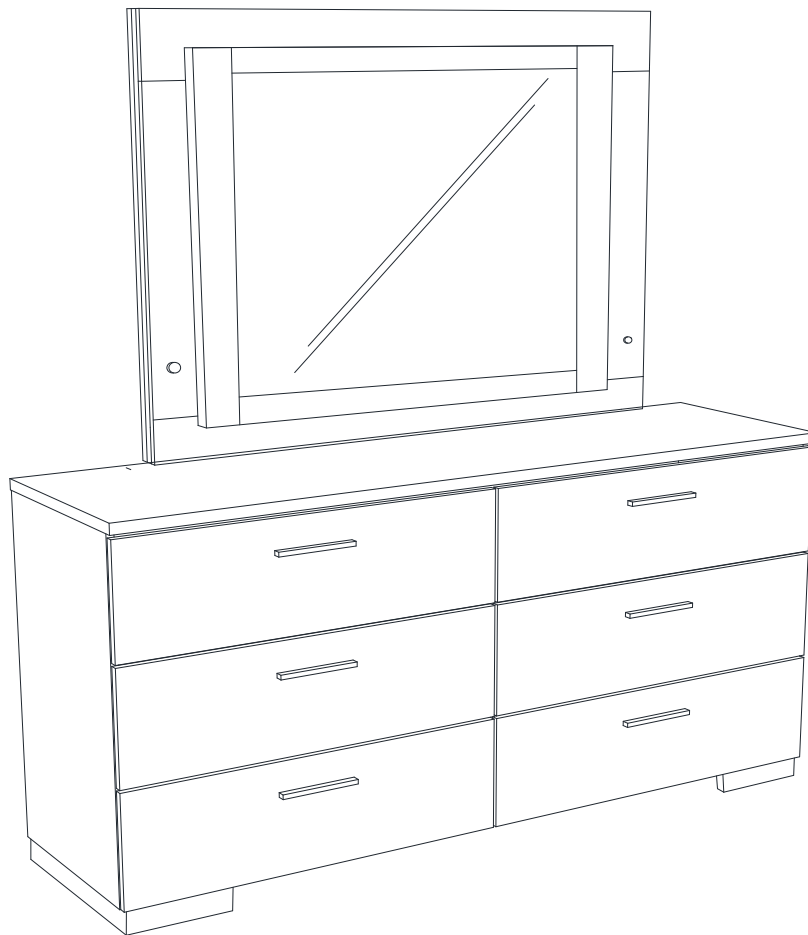


Inner Size of Drawer : 28.75"W x 12.50"D x 5.00"H x 0.25"T



Note : Dimension tolerance $\pm 5\%$

ASSEMBLY INSTRUCTIONS
COASTER FINE FURNITURE



Fine Furniture for every stage of life

203504LED
LED Mirror

ITEM: 203504LED



ASSEMBLY INSTRUCTIONS

ASSEMBLY TIPS:

1. Remove hardware from box and sort by size.
2. Please check to see that all hardware and parts are present prior to start of assembly.
3. Please follow attached instructions in the same sequence as numbered to assure fast & easy assembly.



WARNING!

1. Don't attempt to repair or modify parts that are broken or defective. Please contact the store immediately.
2. This product is for home use only and not intended for commercial establishments.



ASSEMBLY TIME

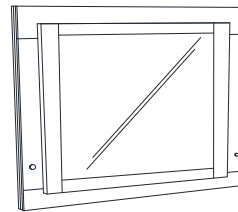
10 MINUTES

PARTS IDENTIFICATION

A

MIRROR

1PC



B

DRESSER
FROM BOX ITEM # 203503

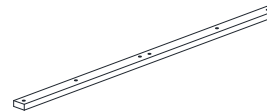
1PC



C

MIRROR SUPPORT
(PACK WITH DRESSER)

2PCS



D

ADAPTER PLUG

1PC



HARDWARE IDENTIFICATION

1

FLAT HEAD SCREW
(M4 x 32mm - RBW)

10PCS



NOTE:

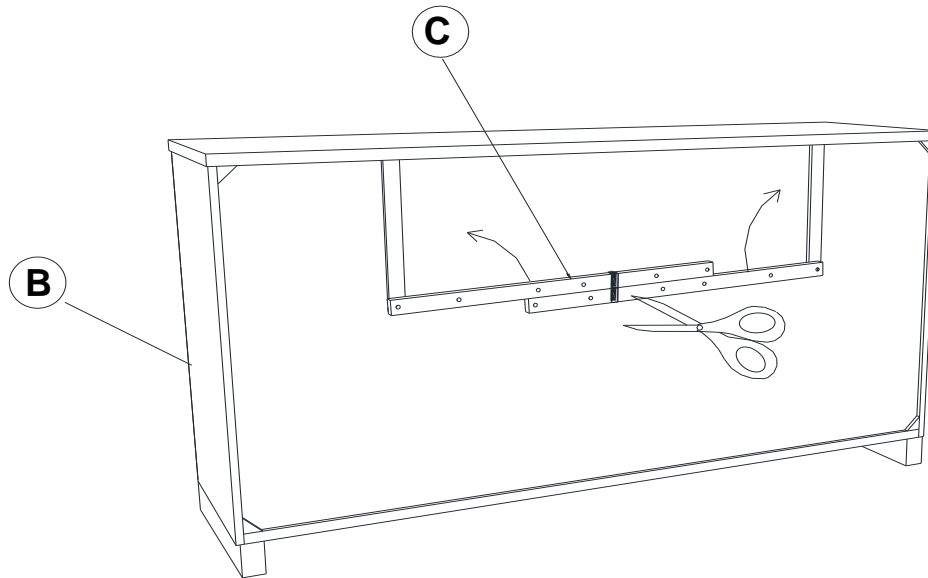
Phillips head screw driver is required in the assembly process; however, manufacturer does not provide this item.

ITEM: **203504LED**

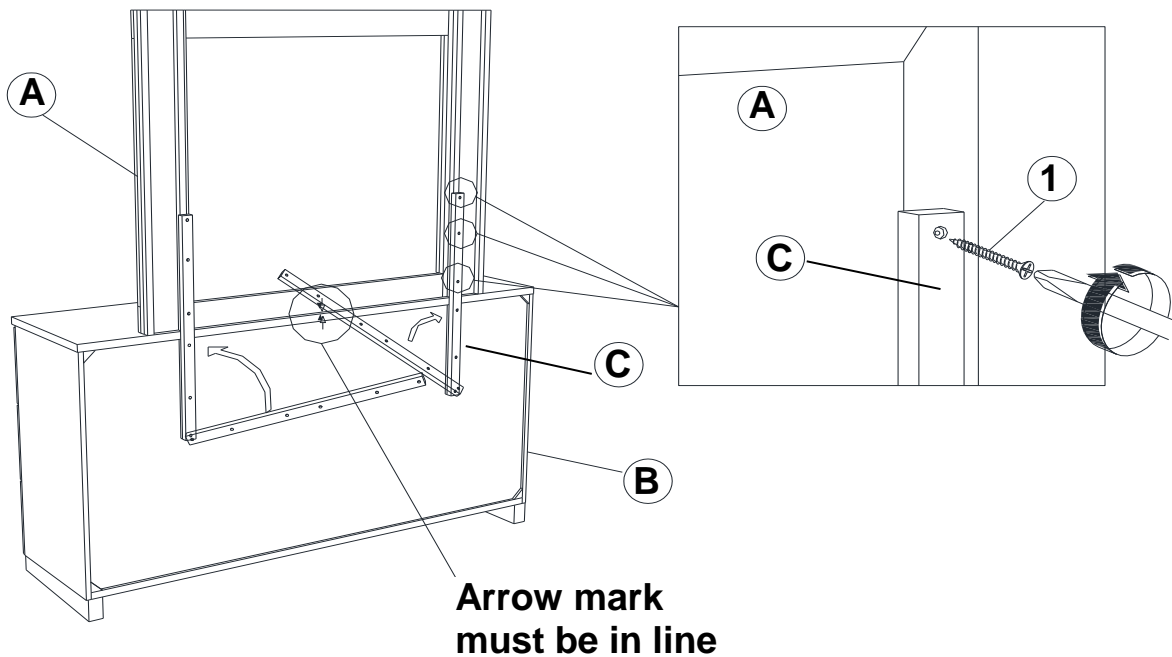


ASSEMBLY INSTRUCTIONS

STEP 1



STEP 2



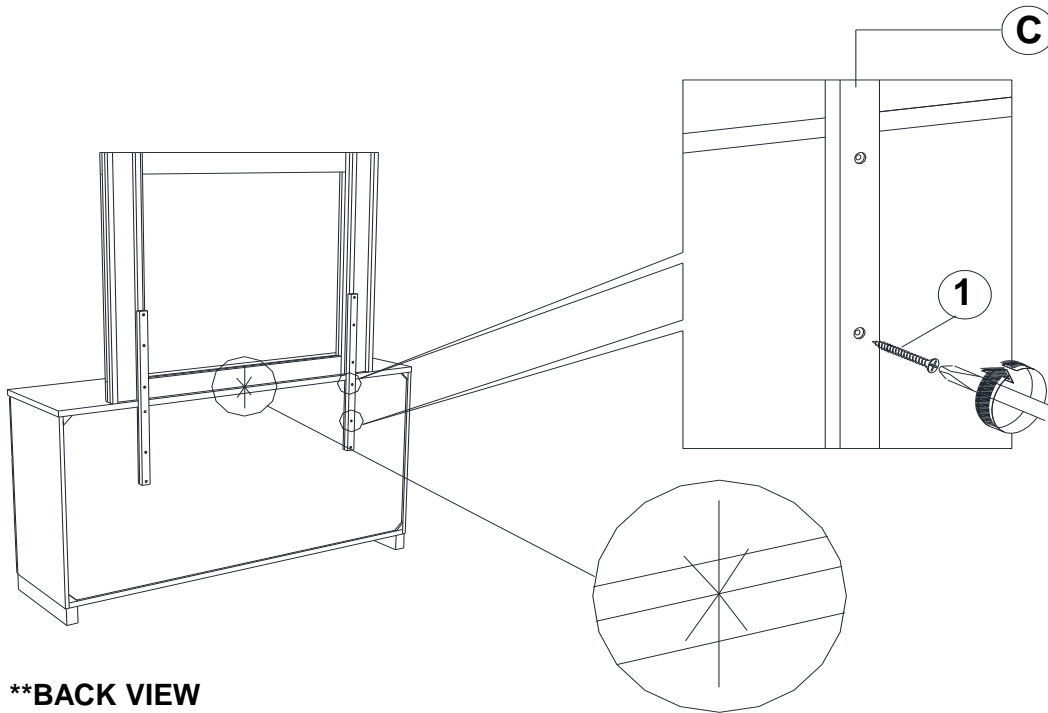
****BACK VIEW**

ITEM: **203504LED**



ASSEMBLY INSTRUCTIONS

STEP 3

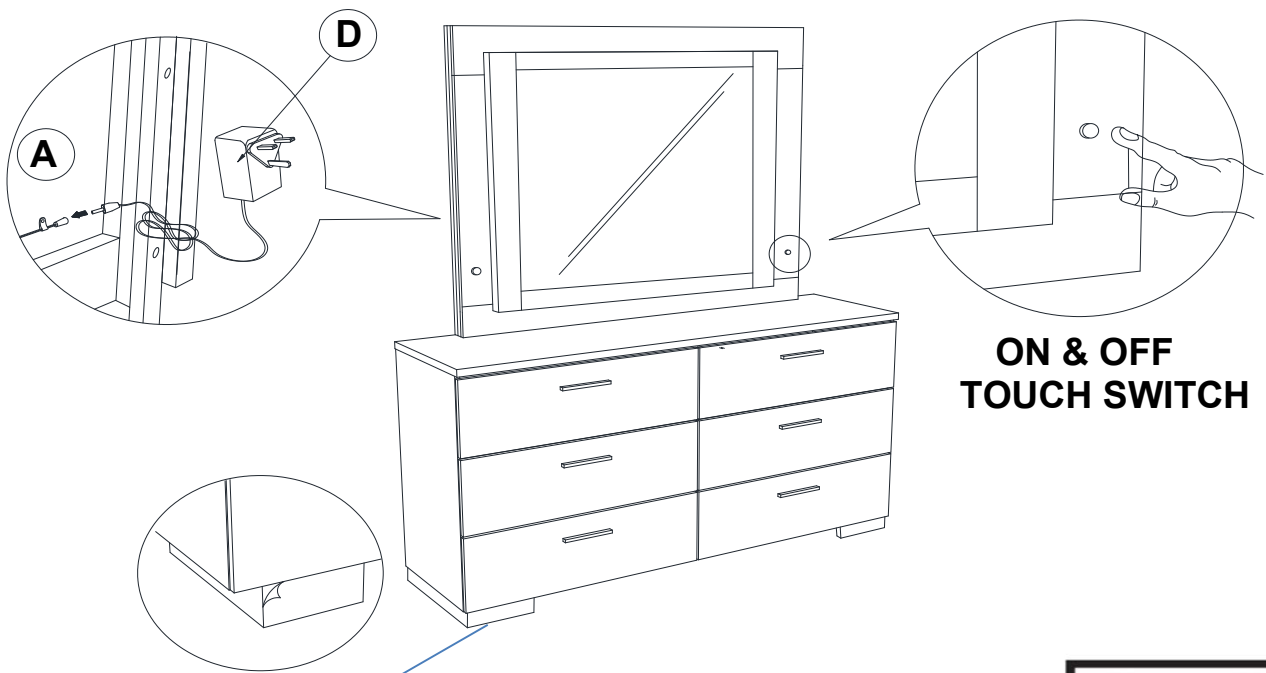


****BACK VIEW**

Arrow Marking Must Be Aligned

STEP 4

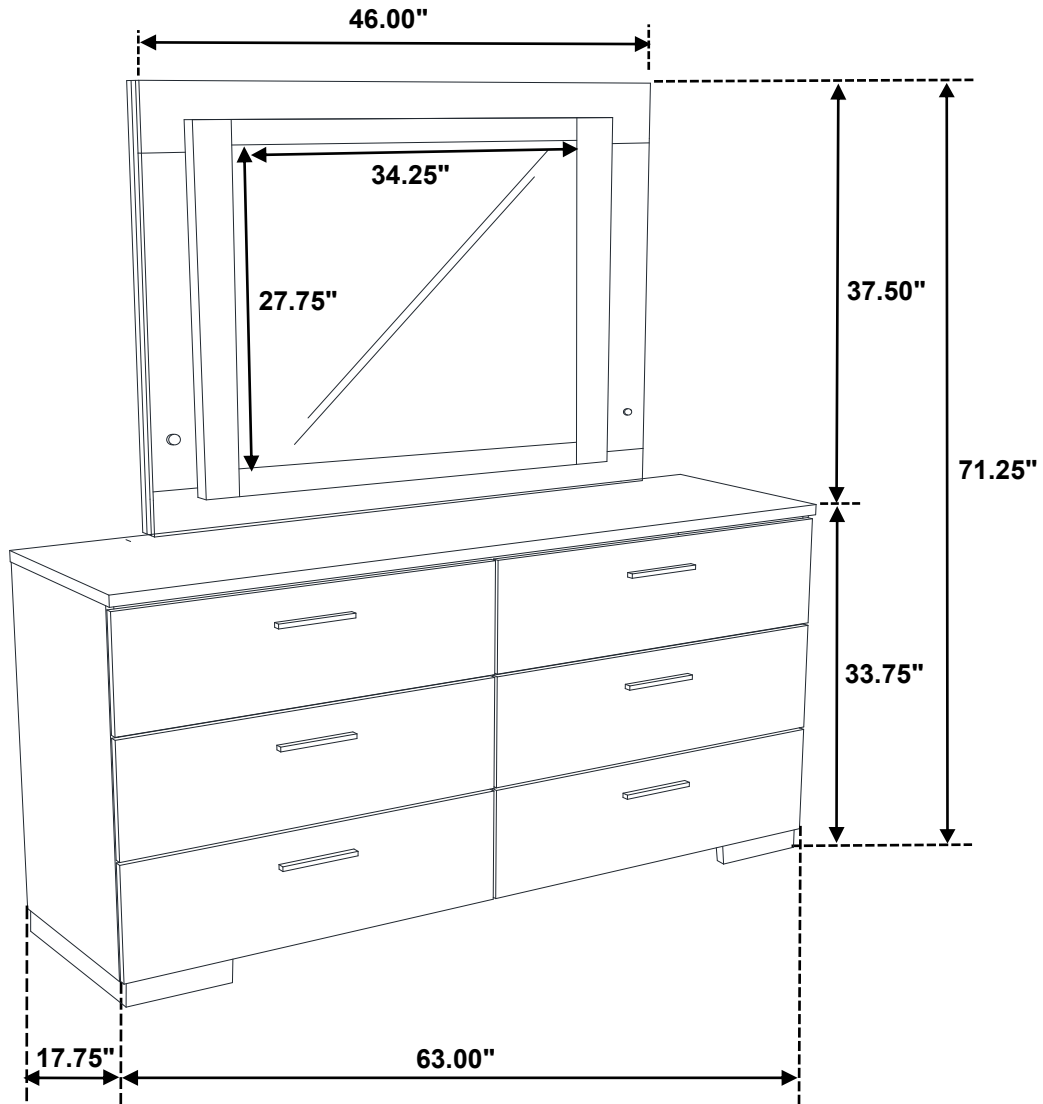
COMPLETE



PLEASE REMOVE THE PROTECTIVE FILM BEFORE USE



ITEM: 203504LED



Note : Dimension tolerance $\pm 5\%$