

ASSEMBLY INSTRUCTIONS
COASTER FINE FURNITURE



Fine Furniture for every stage of life

205293
Dresser

ITEM:205293



ASSEMBLY INSTRUCTIONS

ASSEMBLY TIPS:

1. Remove hardware from box and sort by size.
2. Please check to see that all hardware and parts are present prior to start of assembly.
3. Please follow attached instructions in the same sequence as numbered to assure fast & easy assembly.



WARNING!

1. Don't attempt to repair or modify parts that are broken or defective. Please contact the store immediately.
2. This product is for home use only and not intended for commercial establishments.



ASSEMBLY TIME

5 MINUTES

PARTS IDENTIFICATION

A DRESSER

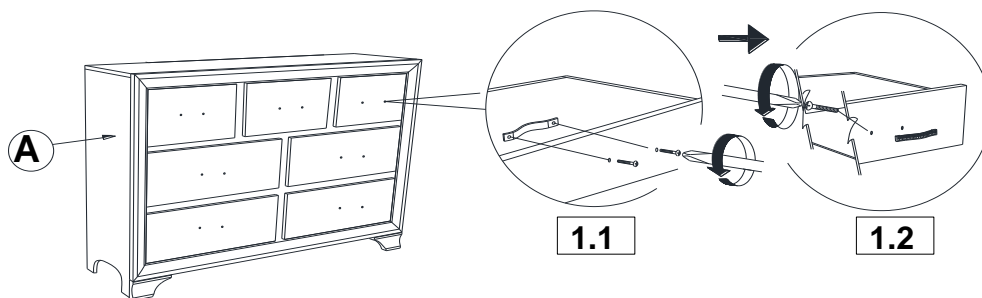


1PC

NOTE:

Phillips head screw driver is required in the assembly process; however, manufacturer does not provide this item.

STEP 1



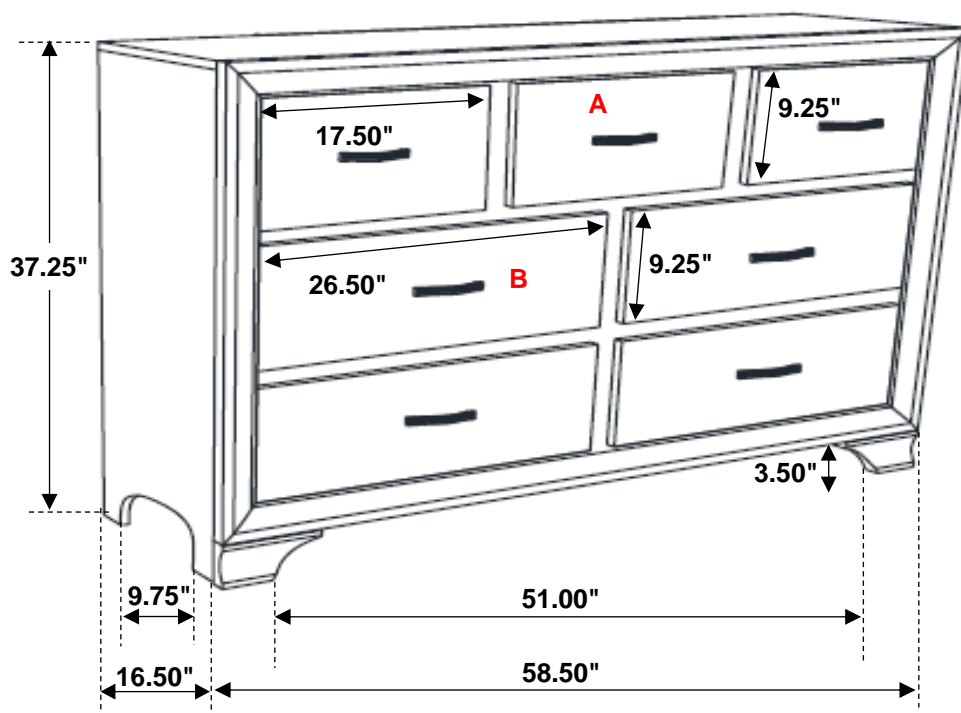
STEP 2 COMPLETE



ITEM:205293



Inner Size of Drawer A : 14.25"W X 12.50"D X 6.00"H X 0.25"T
Inner Size of Drawer B : 23.25"W X 12.50"D X 6.00"H X 0.25"T



Note: Dimension tolerance $\pm 5\%$

ASSEMBLY INSTRUCTIONS
COASTER FINE FURNITURE



Fine Furniture for every stage of life

205294
Mirror

ITEM: 205294

ASSEMBLY INSTRUCTIONS

ASSEMBLY TIPS:

1. Remove hardware from box and sort by size.
2. Please check to see that all hardware and parts are present prior to start of assembly.
3. Please follow attached instructions in the same sequence as numbered to assure fast & easy assembly.



WARNING!

1. Don't attempt to repair or modify parts that are broken or defective. Please contact the store immediately.
2. This product is for home use only and not intended for commercial establishments.

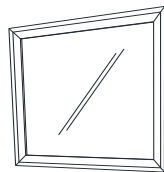


ASSEMBLY TIME

10 MINUTES

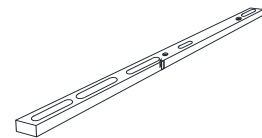
PARTS IDENTIFICATION

A MIRROR



1PC

C MIRROR SUPPORT
(PACKED WITH MIRROR)



2PCS

B DRESSER
FROM BOX ITEM
#205293



1PC

HARDWARE IDENTIFICATION

1 SHORT BOLT
(M6 x 35mm - BLK)



4PCS

4 FLAT WASHER
(1/4"ID x 19mm -
BLK)



8PCS

2 LONG BOLT
(M6 x 40mm - BLK)



4PCS

5 ALLEN
WRENCH
(M4 x 60MM - BLK)



1PC

3 LOCK WASHER
(1/4" - BLK)

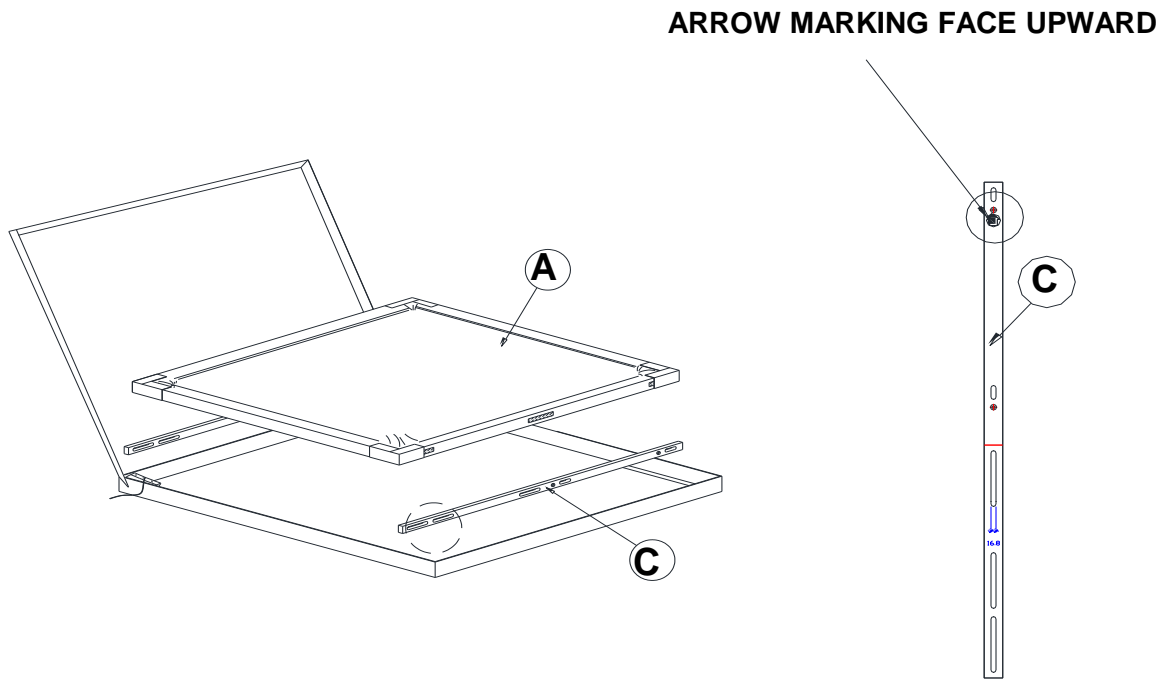


8PCS

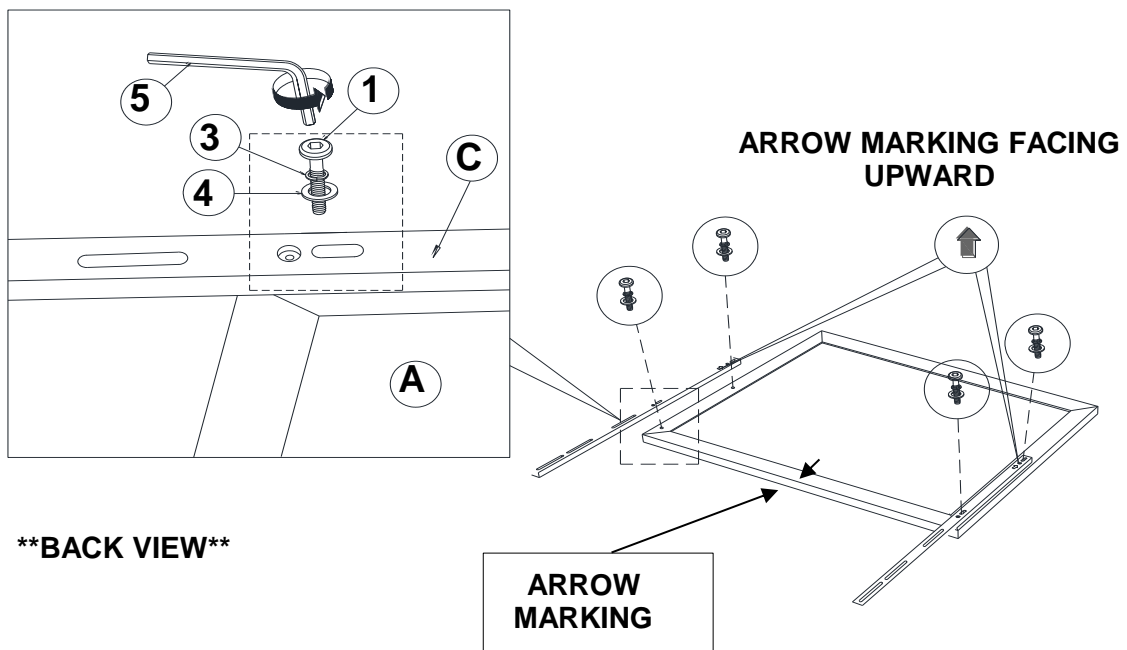
ITEM: 205294

ASSEMBLY INSTRUCTIONS

STEP 1



STEP 2



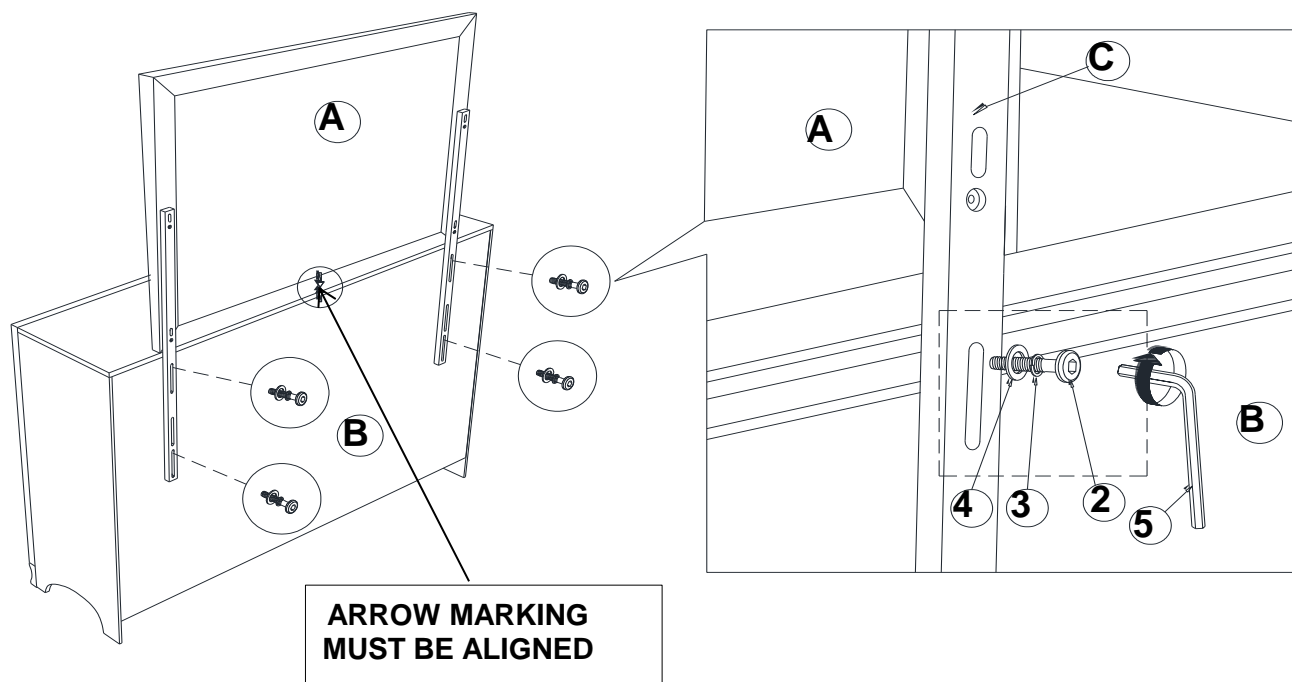
****BACK VIEW****

ITEM: 205294



ASSEMBLY INSTRUCTIONS

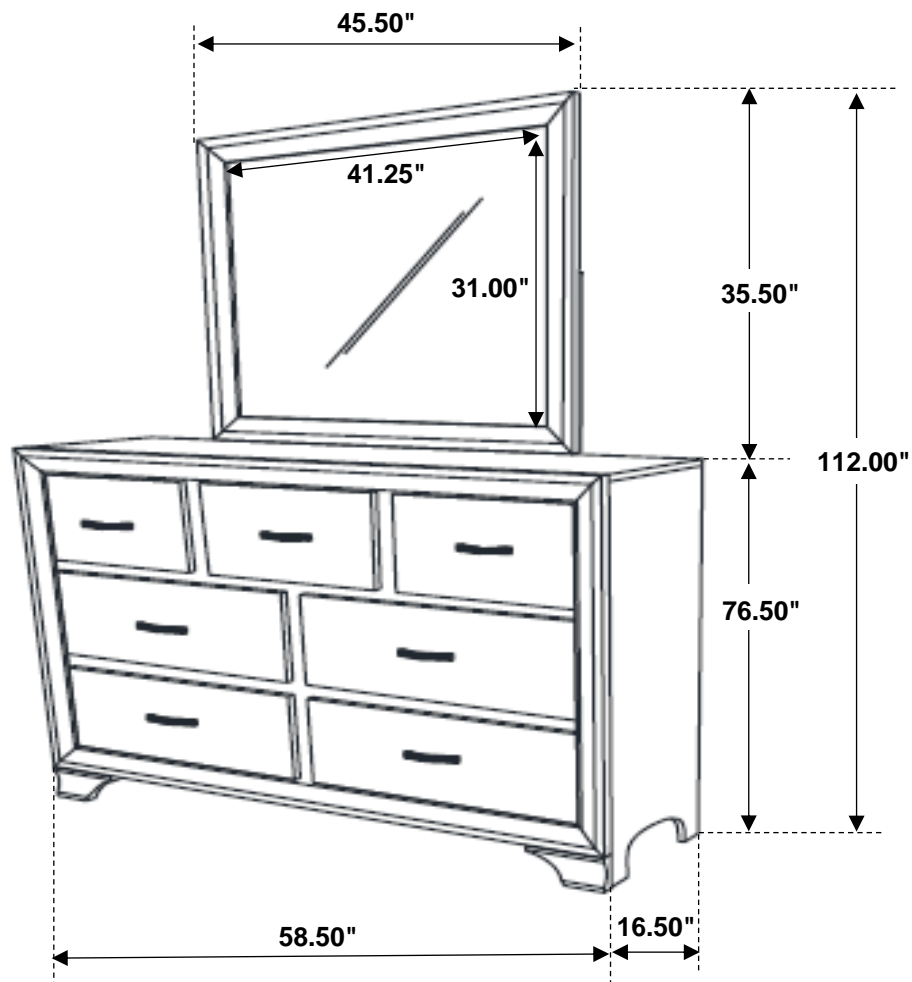
STEP 3



STEP 4 COMPLETE



ITEM: 205294



Note: Dimension tolerance $\pm 5\%$