

ASSEMBLY INSTRUCTIONS
COASTER FINE FURNITURE



Fine Furniture for every stage of life

205893
Dresser

ITEM: **205893**

ASSEMBLY INSTRUCTIONS

ASSEMBLY TIPS:

1. Remove hardware from box and sort by size.
2. Please check to see that all hardware and parts are present prior to start of assembly.
3. Please follow attached instructions in the same sequence as numbered to assure fast & easy assembly.



WARNING!

1. Don't attempt to repair or modify parts that are broken or defective. Please contact the store immediately.
2. This product is for home use only and not intended for commercial establishments.

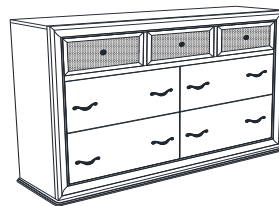


ASSEMBLY TIME

5 MINUTES

PARTS IDENTIFICATION

A DRESSER



1PC

B BUN FOOT



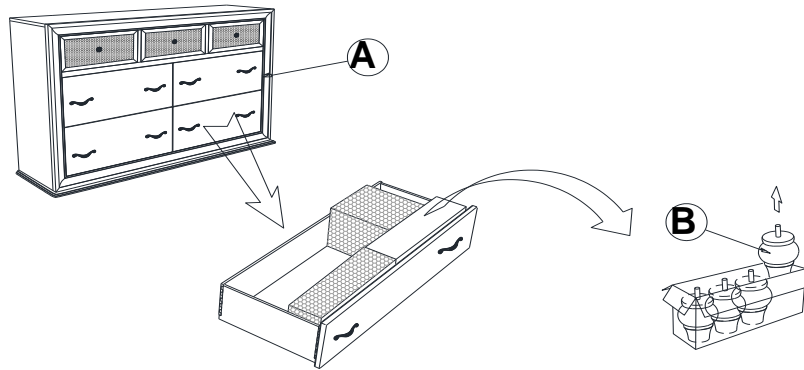
4PCS

ITEM: **205893**

ASSEMBLY INSTRUCTIONS

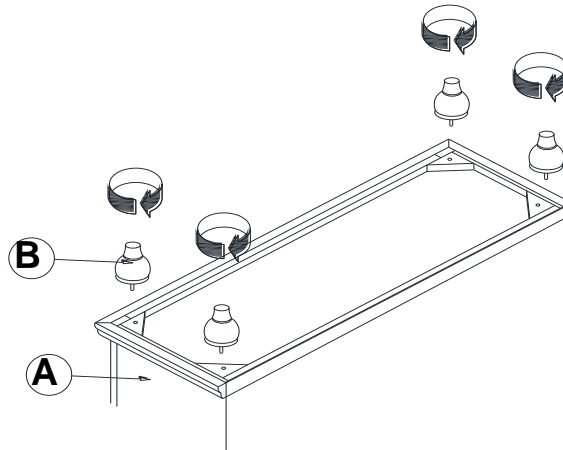


STEP 1



BOTTOM DRAWER BOX

STEP 2



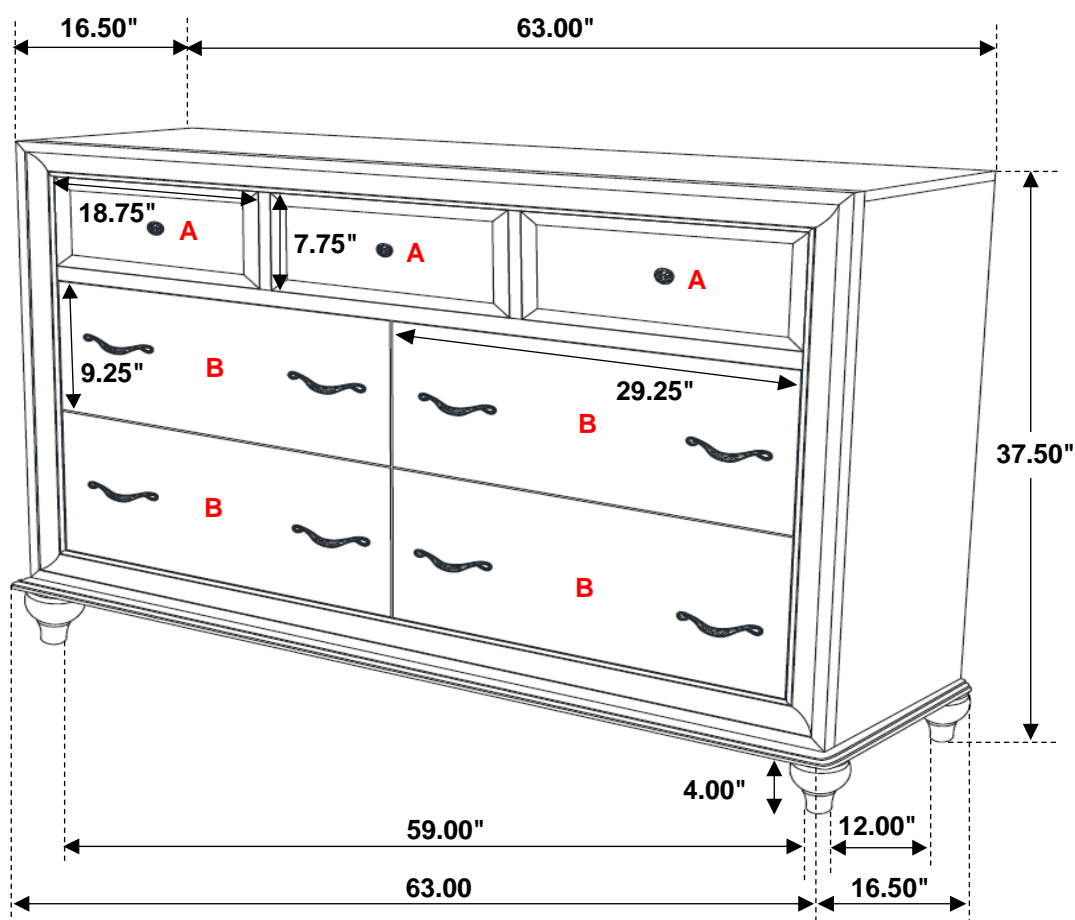
STEP 3
COMPLETE



ITEM: **205893**



Inner Size of Drawer A : 17.00"W X 12.50"D X 5.00"H X 0.25"T
Inner Size of Drawer B : 27.25"W X 12.50"D X 5.00"H X 0.25"T



Note: Dimension tolerance $\pm 5\%$

ASSEMBLY INSTRUCTIONS
COASTER FINE FURNITURE



Fine Furniture for every stage of life

205894
Mirror

ITEM: **205894**



ASSEMBLY INSTRUCTIONS

ASSEMBLY TIPS:

1. Remove hardware from box and sort by size.
2. Please check to see that all hardware and parts are present prior to start of assembly.
3. Please follow attached instructions in the same sequence as numbered to assure fast & easy assembly.



WARNING!

1. Don't attempt to repair or modify parts that are broken or defective. Please contact the store immediately.
2. This product is for home use only and not intended for commercial establishments.

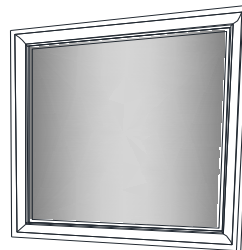


ASSEMBLY TIME

8 MINUTES

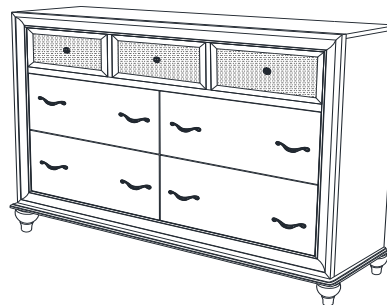
PARTS IDENTIFICATION

A MIRROR



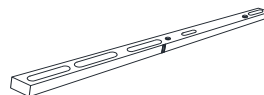
1PC

B DRESSER
FROM BOX ITEM
#205893



1PC

C MIRROR SUPPORT
(PACKED WITH MIRROR)



2PCS

ASSEMBLY INSTRUCTIONS

ASSEMBLY TIPS:






1. Remove hardware from box and sort by size.
2. Please check to see that all hardware and parts are present prior to start of assembly.
3. Please follow attached instructions in the same sequence as numbered to assure fast & easy assembly.



WARNING!

1. Don't attempt to repair or modify parts that are broken or defective. Please contact the store immediately.
2. This product is for home use only and not intended for commercial establishments.

HARDWARE IDENTIFICATION

1	SHORT BOLT (M6 x 35mm - BLK)		4PCS
2	LONG BOLT (M6 x 40mm - BLK)		4PCS
3	LOCK WASHER (1/4" - BLK)		8PCS
4	FLAT WASHER (1/4" ID x 19mm - BLK)		8PCS
5	ALLEN WRENCH (M4 x 60mm - BLK)		1PC

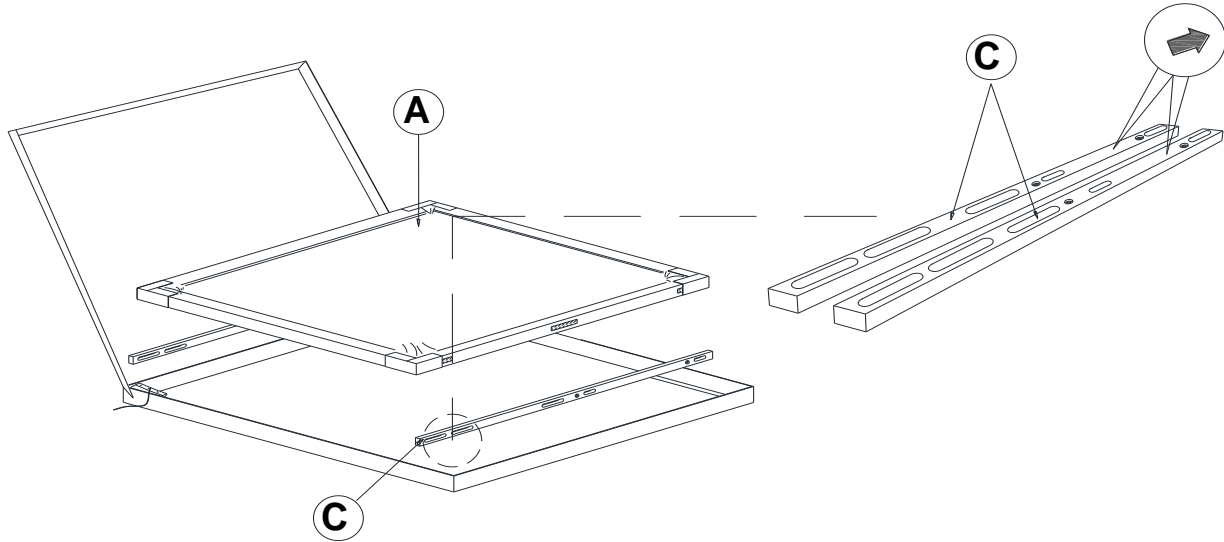
ITEM: 205894



ASSEMBLY INSTRUCTIONS

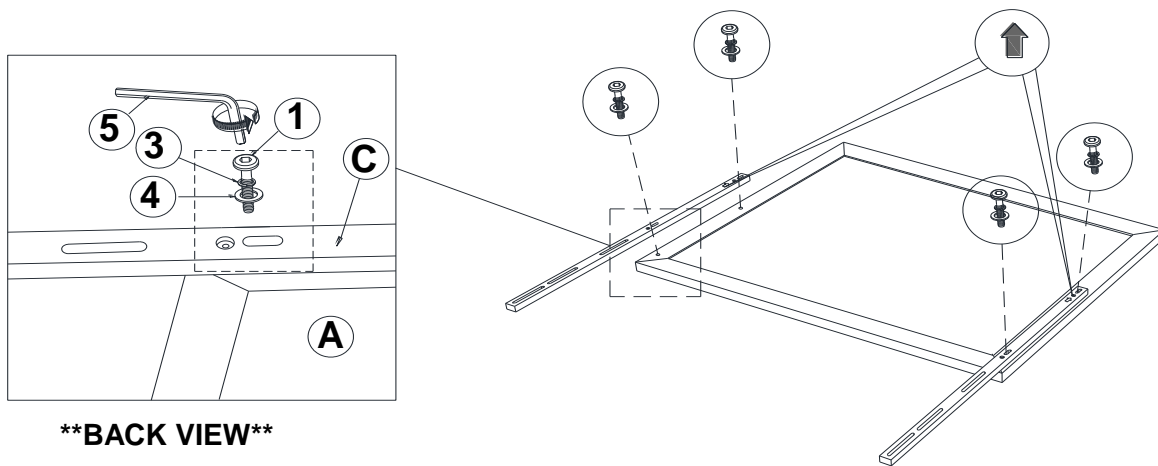
STEP 1

ARROW MARKING FACE UPWARD



STEP 2

ARROW MARKING FACE UPWARD



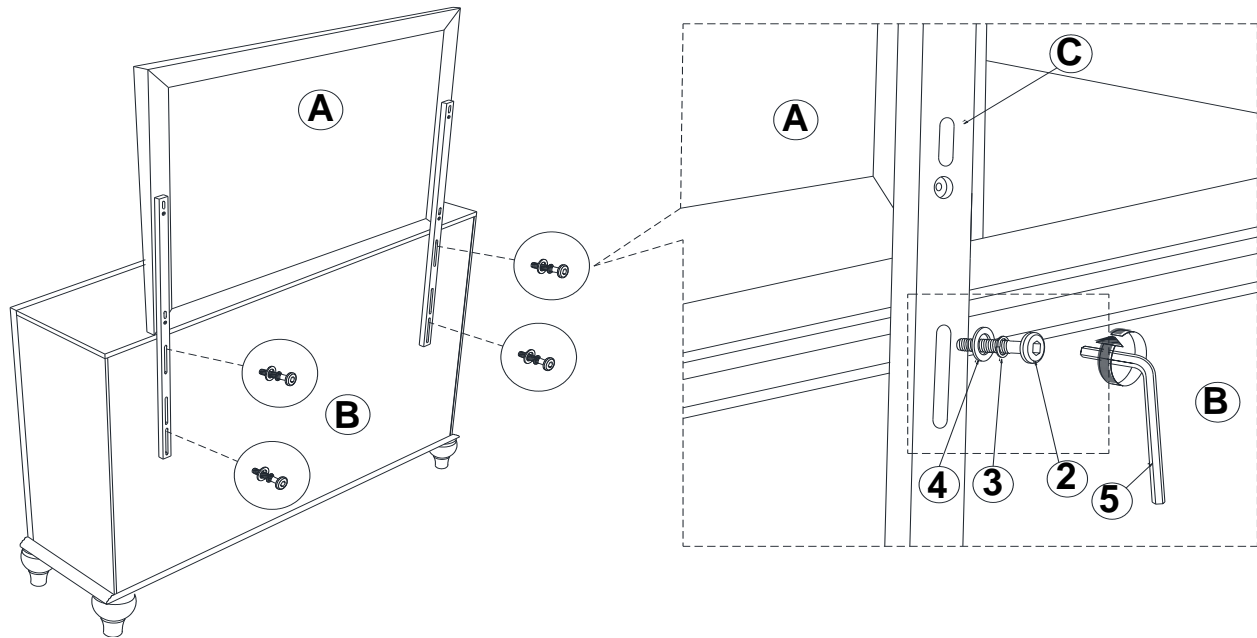
****BACK VIEW****

ITEM: 205894



ASSEMBLY INSTRUCTIONS

STEP 3

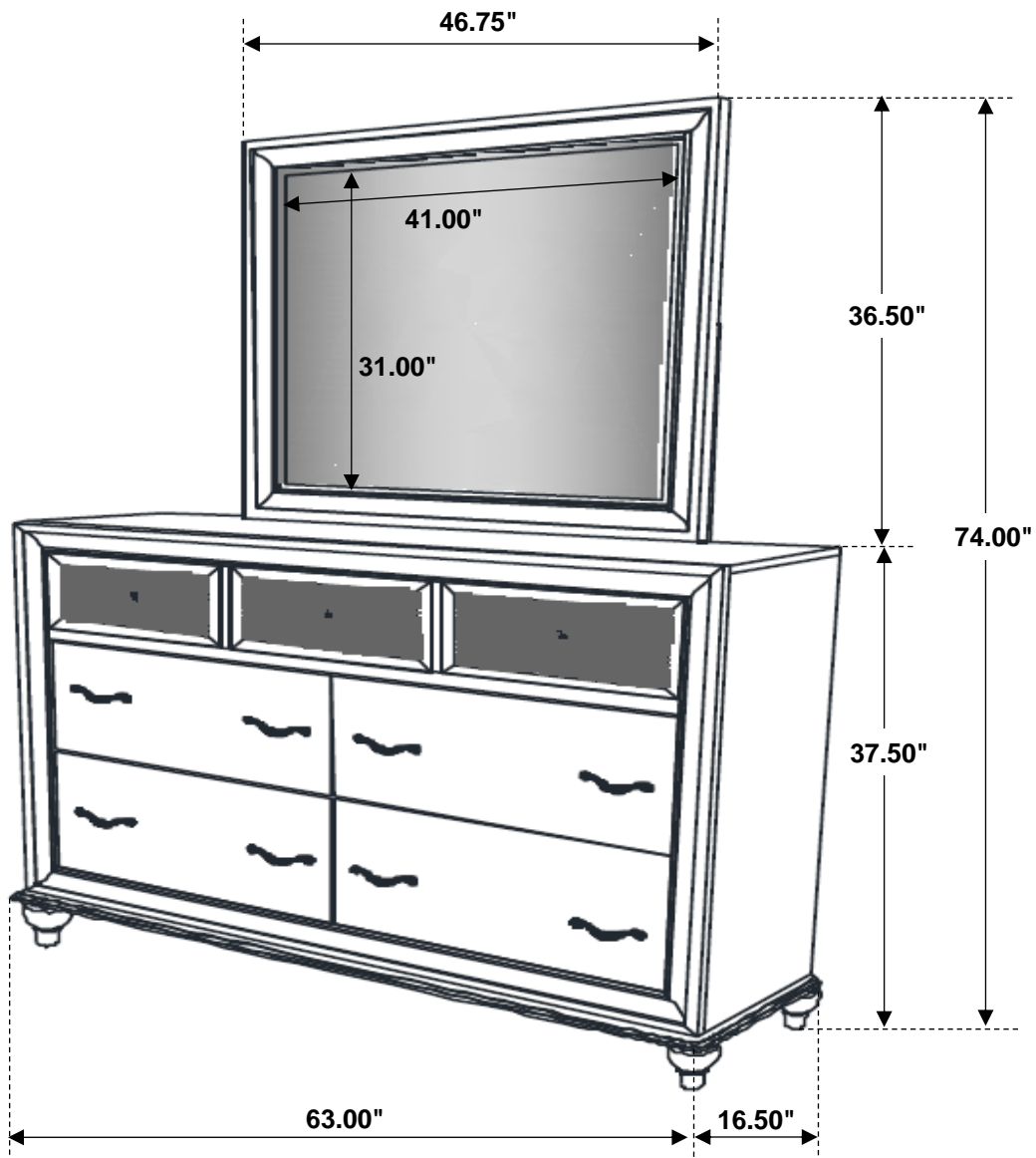


STEP 4 COMPLETE



ITEM: 205894

COASTER
FINE FURNITURE



Note: Dimension tolerance $\pm 5\%$