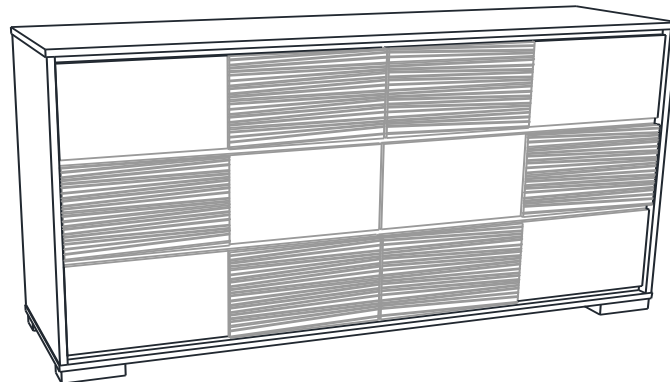


ASSEMBLY INSTRUCTIONS
COASTER FINE FURNITURE



Fine Furniture for every stage of life

207103
Dresser

ITEM: 207103



ASSEMBLY INSTRUCTIONS

ASSEMBLY TIPS:

1. Remove hardware from box and sort by size.
2. Please check to see that all hardware and parts are present prior to start of assembly.
3. Please follow attached instructions in the same sequence as numbered to assure fast & easy assembly.



WARNING!

1. Don't attempt to repair or modify parts that are broken or defective. Please contact the store immediately.
2. This product is for home use only and not intended for commercial establishments.

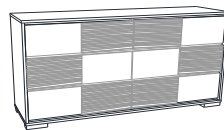


ASSEMBLY TIME

10 MINUTES

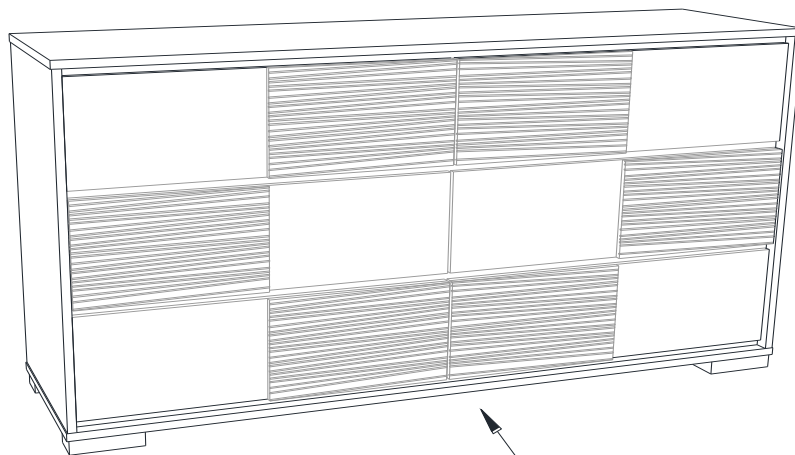
PARTS IDENTIFICATION

A DRESSER

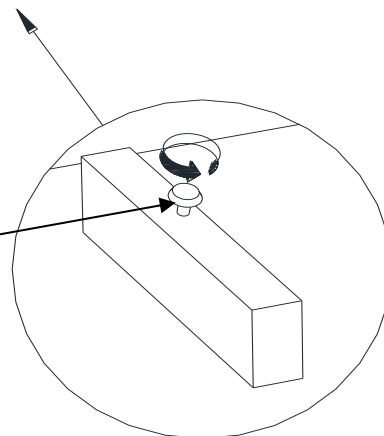


1PC

STEP 1 COMPLETE



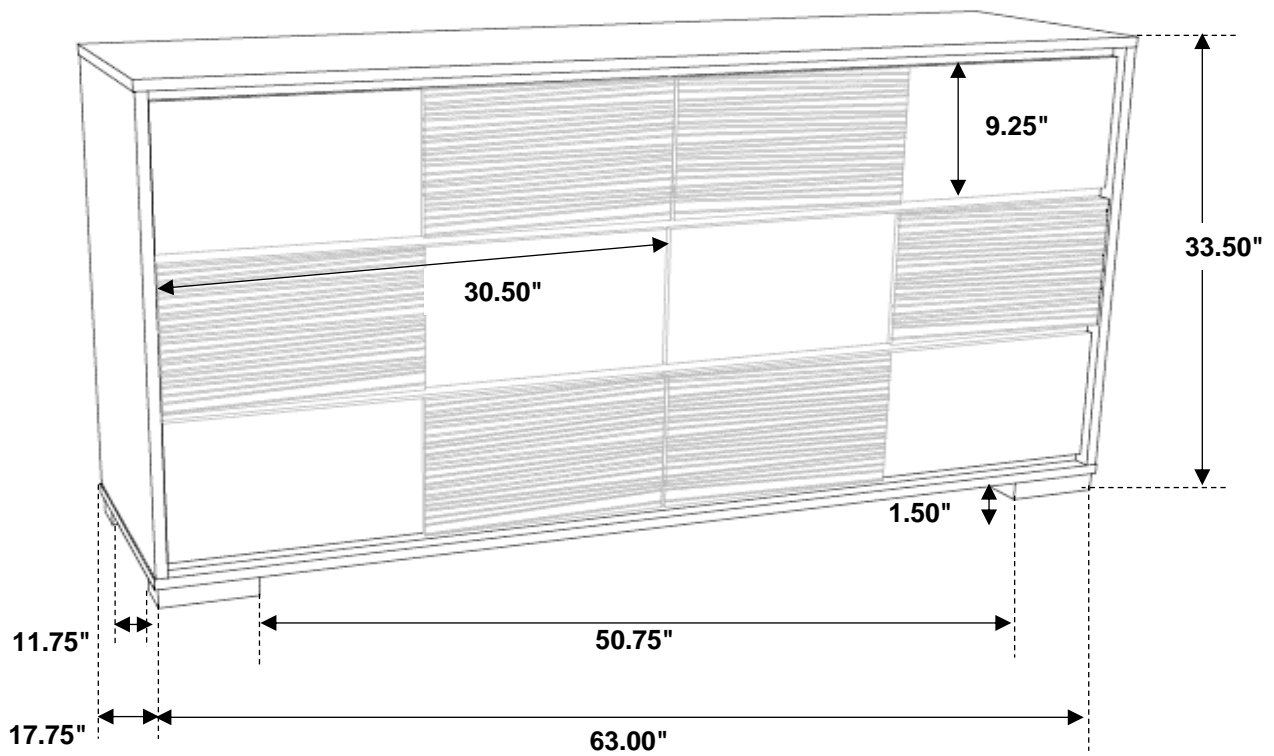
ADJUSTABLE LEVELER



ITEM: 207103



Inner Size of Drawer : 28.50"W X 12.50"D X 5.00"H X 0.25"T



Note: Dimension tolerance $\pm 5\%$

ASSEMBLY INSTRUCTIONS
COASTER FINE FURNITURE



Fine Furniture for every stage of life

207104
Mirror

ITEM: **207104**



ASSEMBLY INSTRUCTIONS

ASSEMBLY TIPS:

1. Remove hardware from box and sort by size.
2. Please check to see that all hardware and parts are present prior to start of assembly.
3. Please follow attached instructions in the same sequence as numbered to assure fast & easy assembly.



WARNING!

1. Don't attempt to repair or modify parts that are broken or defective. Please contact the store immediately.
2. This product is for home use only and not intended for commercial establishments.

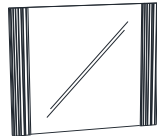


ASSEMBLY TIME

10 MINUTES

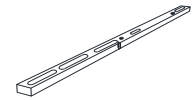
PARTS IDENTIFICATION

A MIRROR



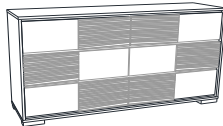
1PC

C MIRROR SUPPORT
(PACKED WITH MIRROR)



2PCS

B DRESSER
FROM BOX ITEM
#207103



1PC

HARDWARE IDENTIFICATION

1 BOLT
(M6 x 35mm - BLK)



8PCS

3 FLAT WASHER
(1/4"ID x 19mm - BLK)



8PCS

2 LOCK WASHER
(1/4" - BLK)



8PCS

4 ALLEN WRENCH
(M4 x 60MM - BLK)



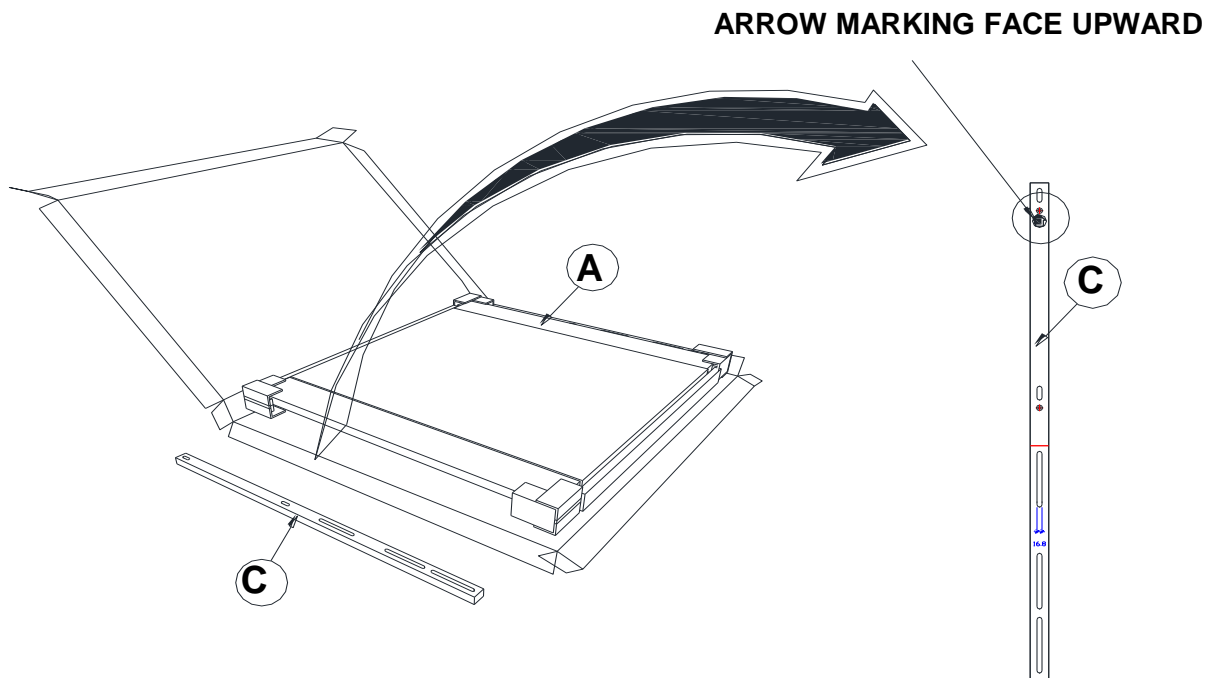
1PC

ITEM: **207104**



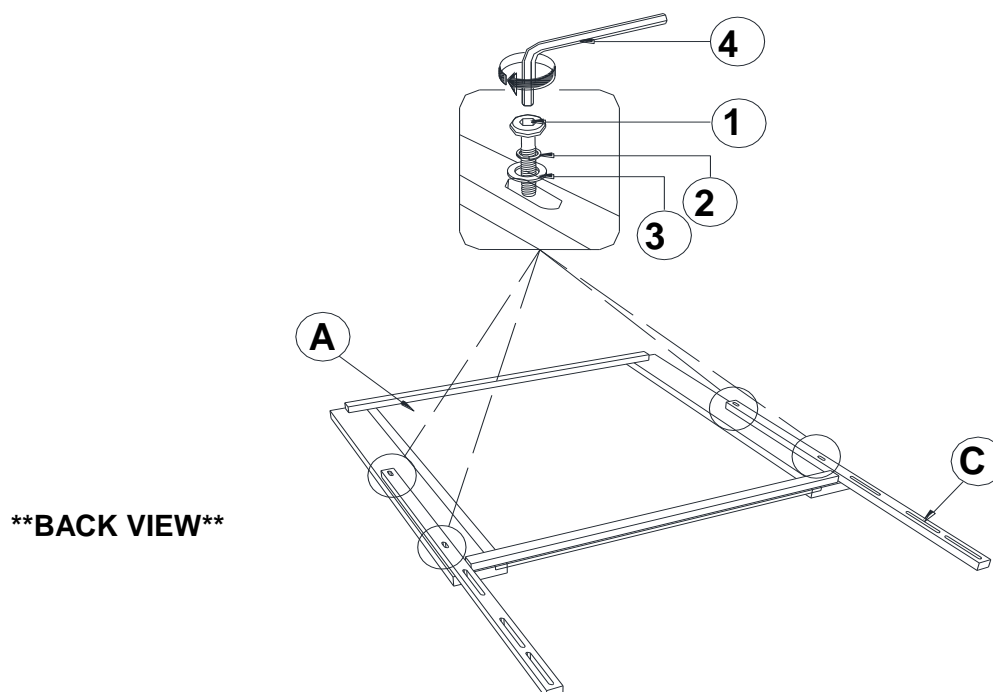
ASSEMBLY INSTRUCTIONS

STEP 1



STEP 2

ARROW MARKING FACE UPWARD

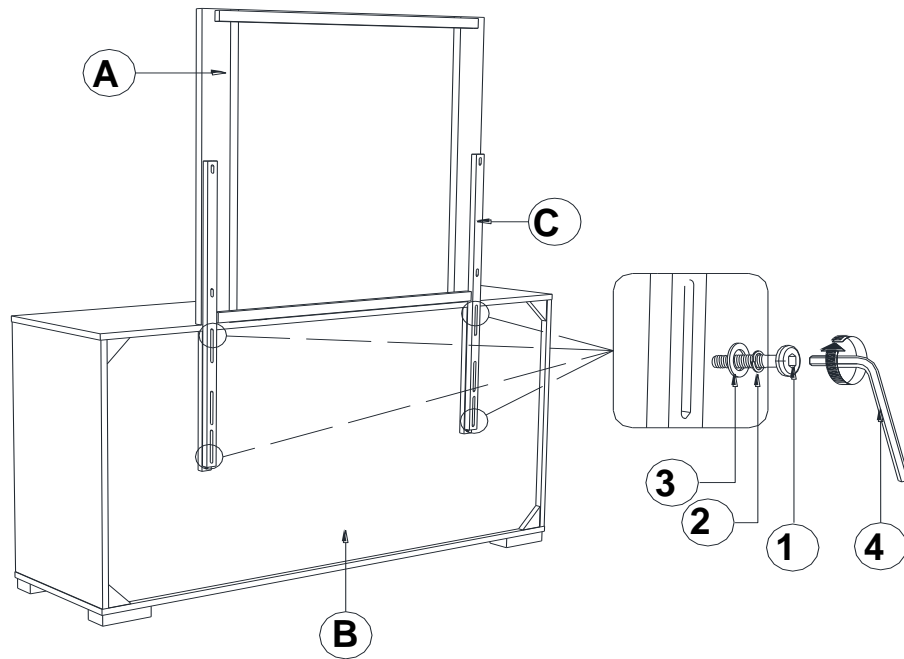


ITEM: **207104**

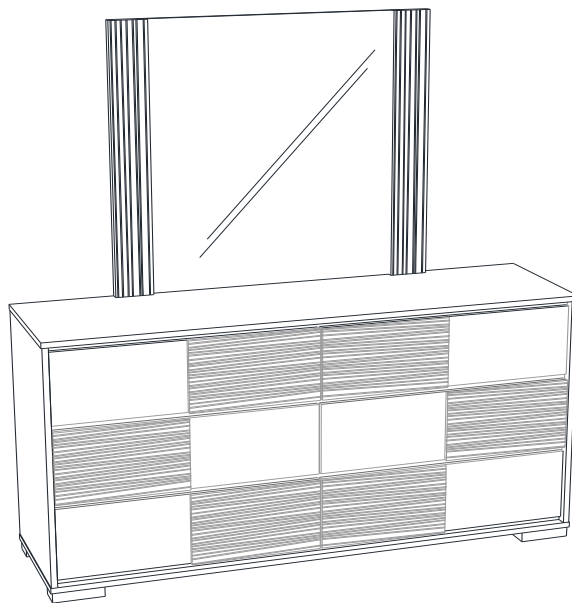


ASSEMBLY INSTRUCTIONS

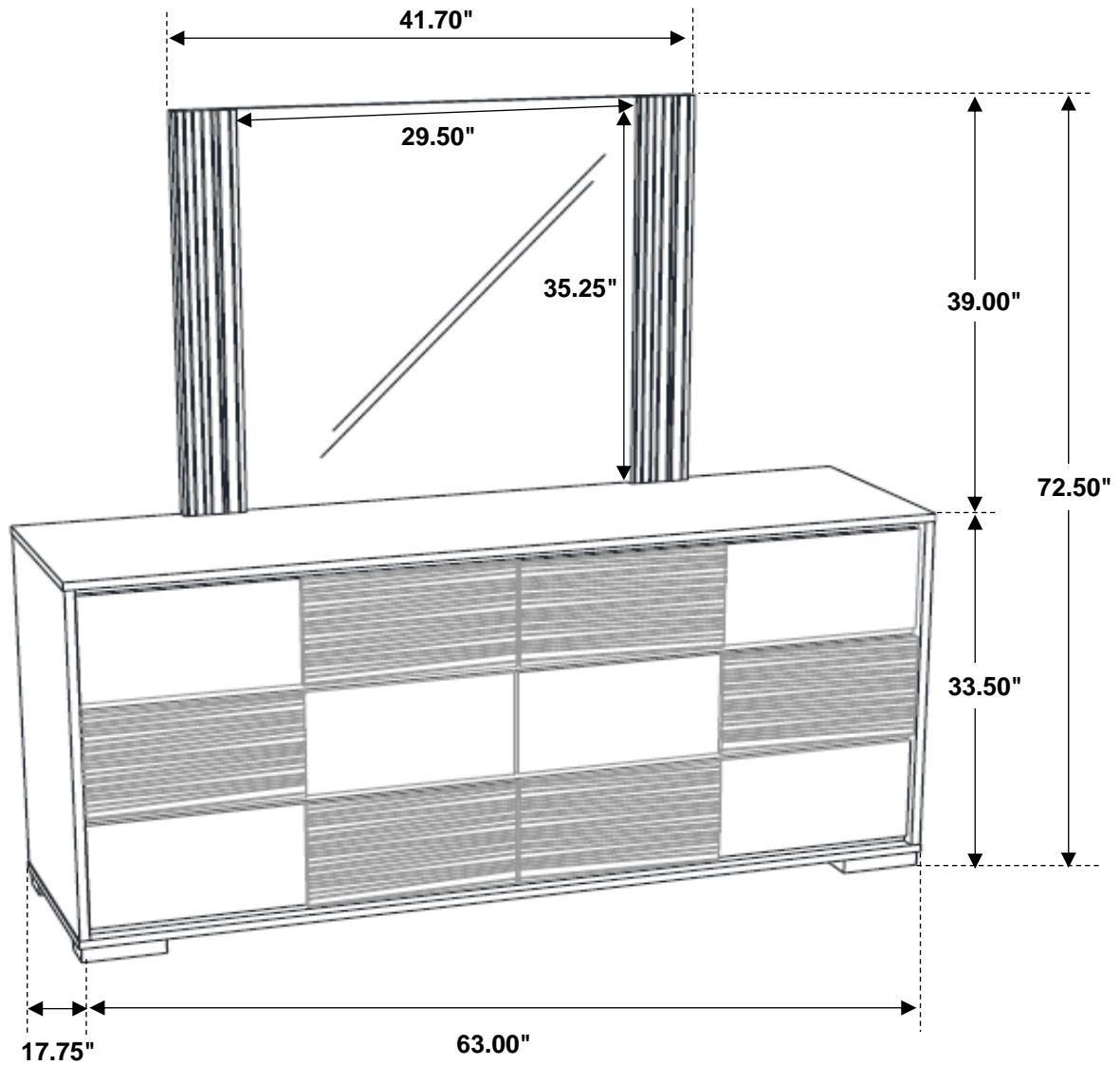
STEP 3



STEP 4 COMPLETE



ITEM: **207104**



Note: Dimension tolerance $\pm 5\%$