

*ASSEMBLY INSTRUCTIONS*  
*COASTER FINE FURNITURE*



*Fine Furniture for every stage of life*

**222633**  
***Dresser***

ITEM: **222633**



## ASSEMBLY INSTRUCTIONS

### ASSEMBLY TIPS:

1. Remove hardware from box and sort by size.
2. Please check to see that all hardware and parts are present prior to start of assembly.
3. Please follow attached instructions in the same sequence as numbered to assure fast & easy assembly.



### WARNING!

1. Don't attempt to repair or modify parts that are broken or defective. Please contact the store immediately.
2. This product is for home use only and not intended for commercial establishments.



ASSEMBLY TIME

5 MINUTES

## PARTS IDENTIFICATION

A

DRESSER



1PC

B

LEG



4PCS

## HARDWARE IDENTIFICATION

1

**BOLT**  
(M6 x 50mm - BLK)



4PCS

2

**LOCK WASHER**  
(1/4" - BLK)



4PCS

3

**FLAT WASHER**  
(1/4"ID x 13mm - BLK)



4PCS

4

**ALLEN WRENCH**  
(M4 x 110mm - BLK)



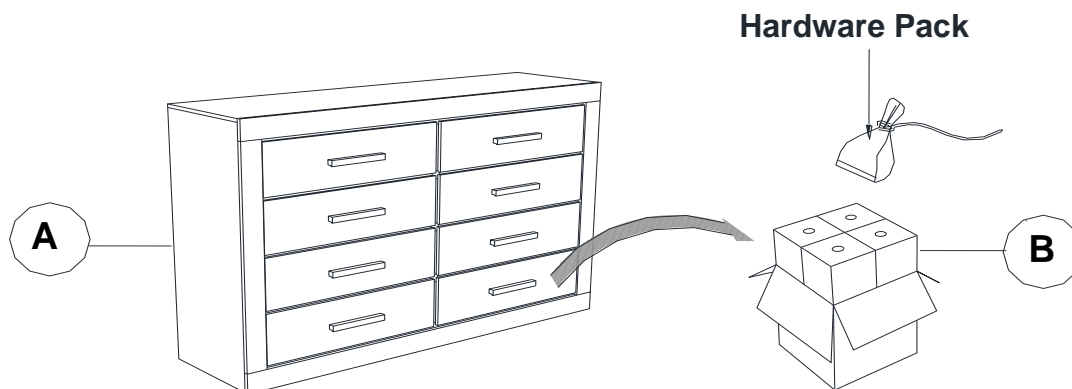
1PC

ITEM: **222633**

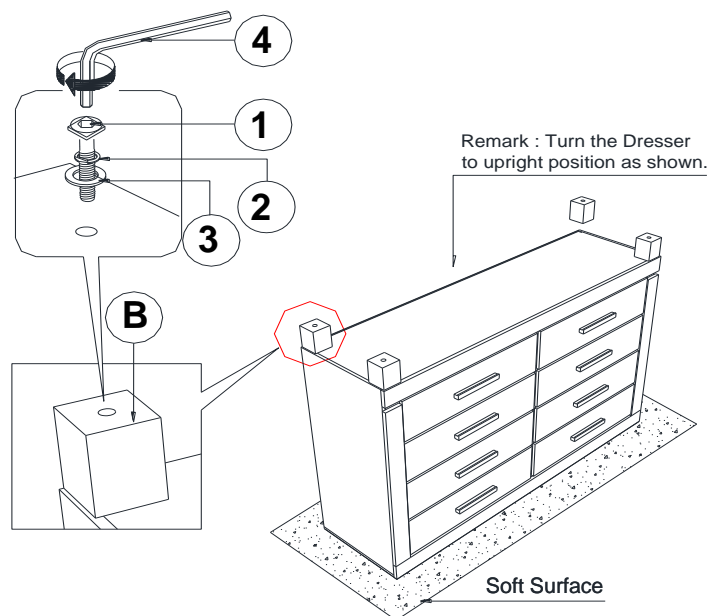


# ASSEMBLY INSTRUCTIONS

## STEP 1



## STEP 2



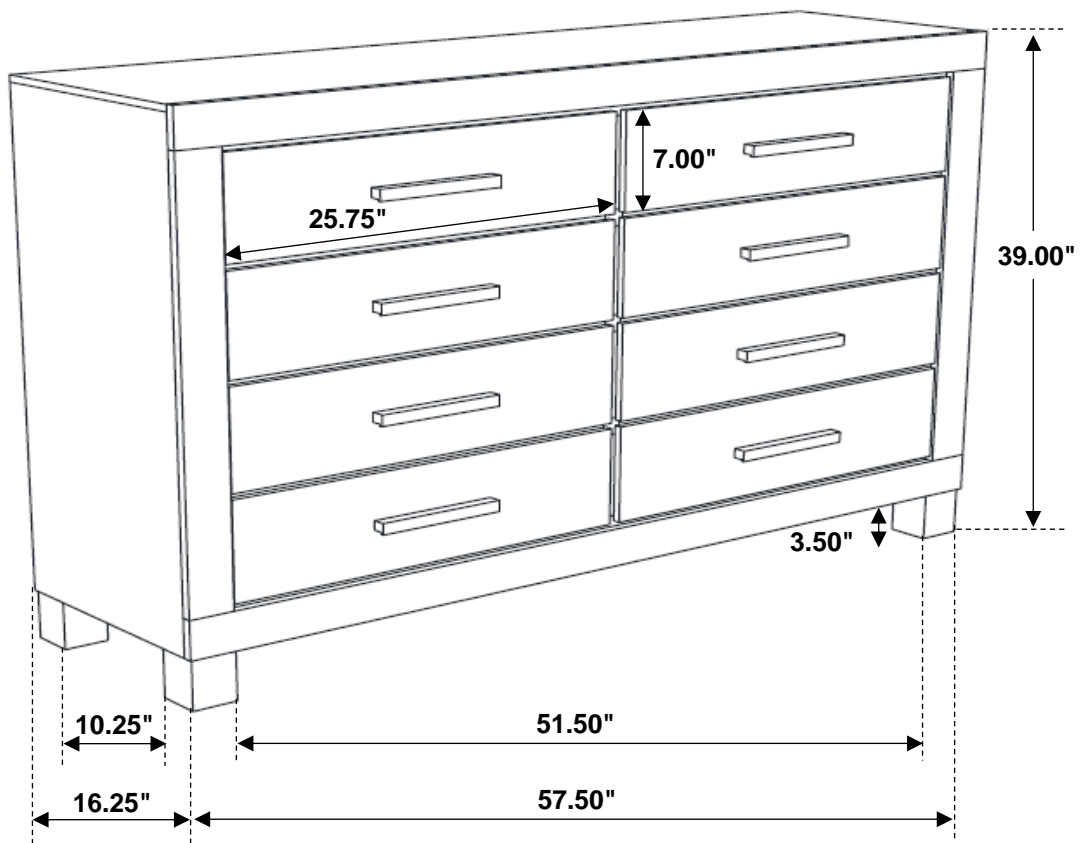
## STEP 3 COMPLETE



ITEM:222633



Inner Size of Drawer : 23.25"W X 12.50"D X 4.00"H X 0.25"T



Note: Dimension tolerance  $\pm 5\%$

*ASSEMBLY INSTRUCTIONS*  
*COASTER FINE FURNITURE*



*Fine Furniture for every stage of life*

**222634**  
***Mirror***

ITEM: **222634**



## ASSEMBLY INSTRUCTIONS

### ASSEMBLY TIPS:

1. Remove hardware from box and sort by size.
2. Please check to see that all hardware and parts are present prior to start of assembly.
3. Please follow attached instructions in the same sequence as numbered to assure fast & easy assembly.



### WARNING!

1. Don't attempt to repair or modify parts that are broken or defective. Please contact the store immediately.
2. This product is for home use only and not intended for commercial establishments.

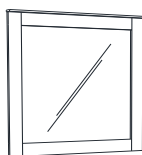


ASSEMBLY TIME

10 MINUTES

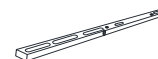
## PARTS IDENTIFICATION

A MIRROR



1PC

C MIRROR SUPPORT  
(PACKED WITH MIRROR)



2PCS

B DRESSER  
FROM BOX ITEM  
#222633



1PC

## HARDWARE IDENTIFICATION

1 SHORT BOLT  
(M6 x 35mm - BLK)



4PCS

4 FLAT WASHER  
(1/4" ID x 19mm - BLK)



8PCS

2 LONG BOLT  
(M6 x 40mm - BLK)



4PCS

5 ALLEN WRENCH  
(M4 x 60mm - BLK)



1PC

3 LOCK WASHER  
(1/4" - BLK)



8PCS

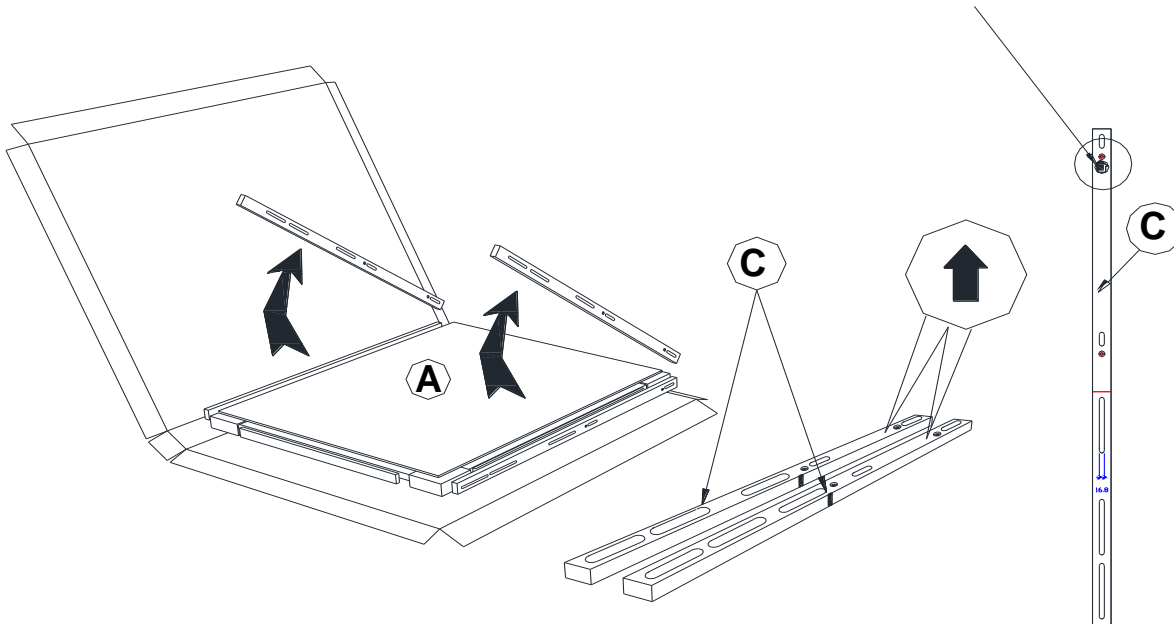
ITEM: **222634**



## ASSEMBLY INSTRUCTIONS

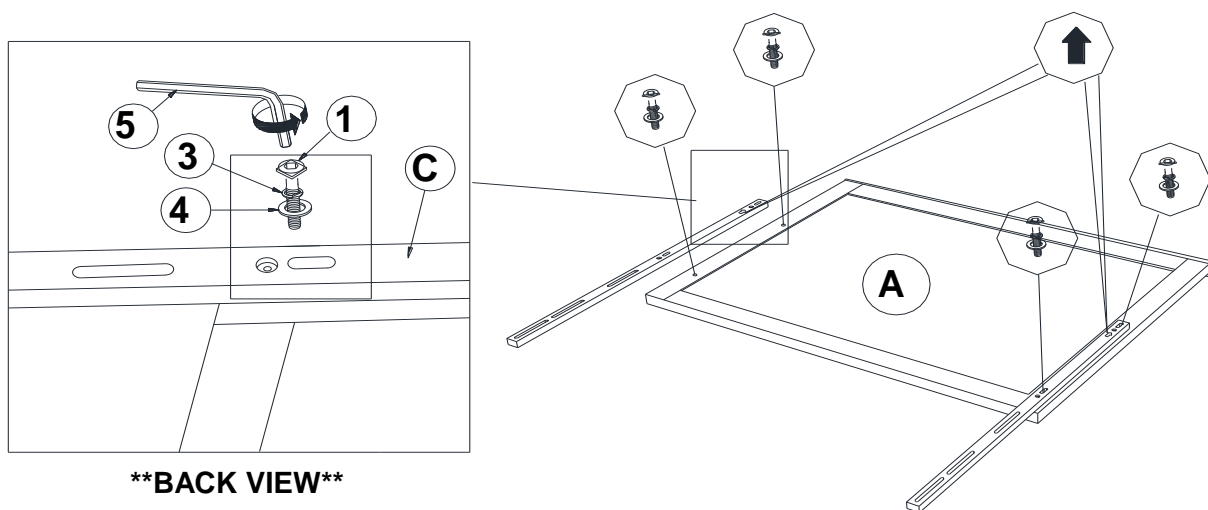
### STEP 1

ARROW MARKING FACE UPWARD



### STEP 2

ARROW MARKING FACE UPWARD



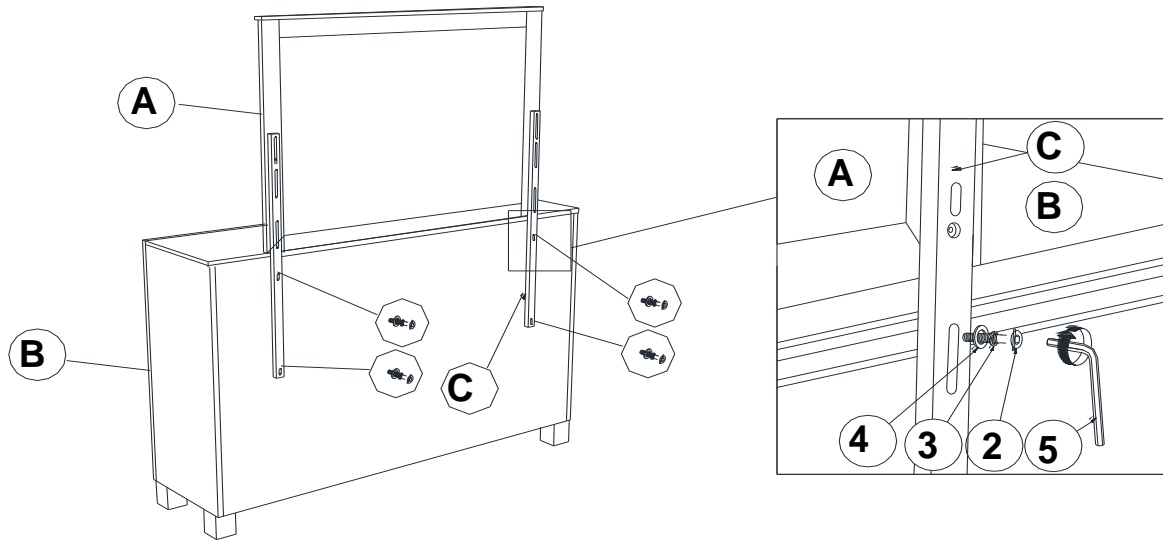
**\*\*BACK VIEW\*\***

ITEM: **222634**



## ASSEMBLY INSTRUCTIONS

### STEP 3

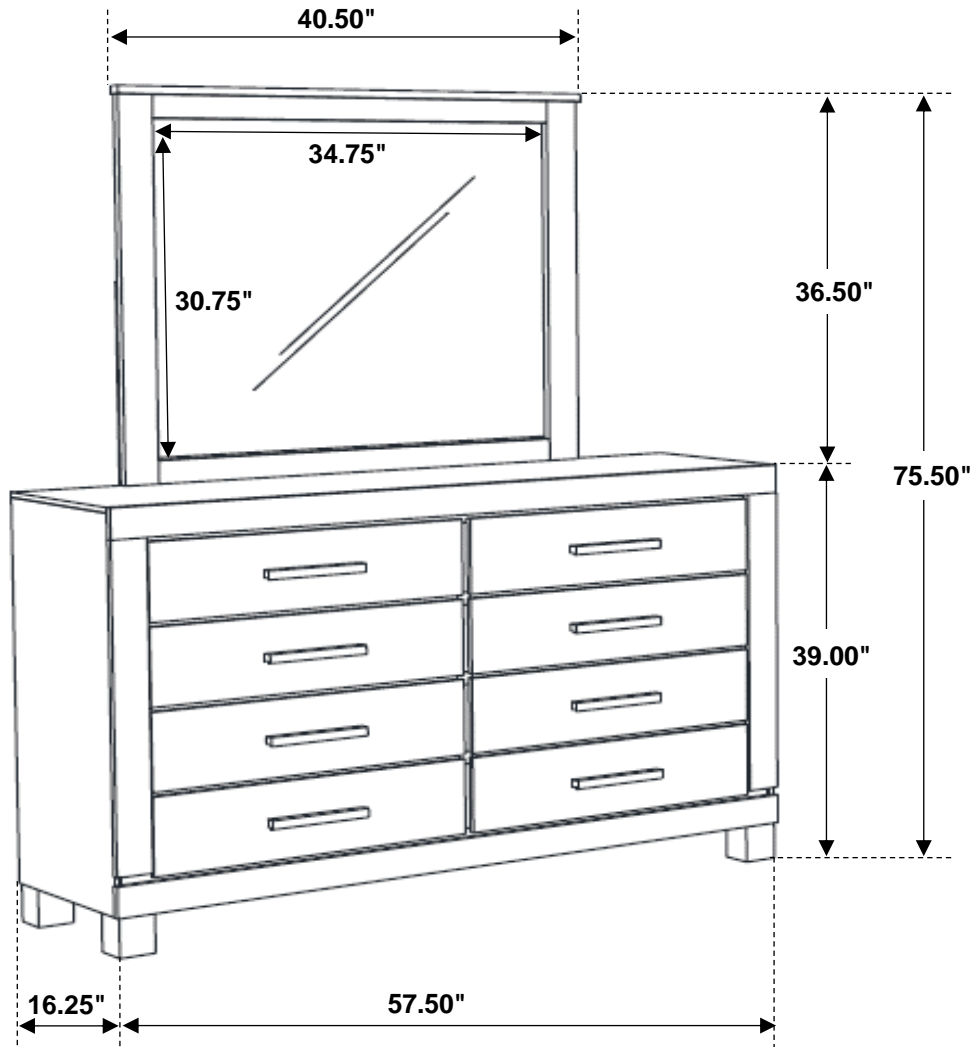


### STEP 4 COMPLETE





ITEM: 222634



Note: Dimension tolerance  $\pm 5\%$