

ASSEMBLY INSTRUCTIONS
COASTER FINE FURNITURE



Fine Furniture for every stage of life

551705
Armless Chair

ITEM: 551705



ASSEMBLY INSTRUCTIONS

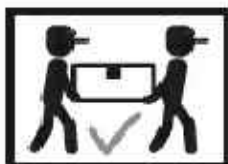
ASSEMBLY TIPS:

1. Remove hardware from box and sort by size.
2. Please check to see that all hardware and parts are present prior to start of assembly.
3. Please follow attached instructions in the same sequence as numbered to assure fast & easy assembly.



WARNING!

1. Don't attempt to repair or modify parts that are broken or defective. Please contact the store immediately.
2. This product is for home use only and not intended for commercial establishments.



ASSEMBLY TIME

5 MINUTES

PARTS IDENTIFICATION

A SEAT



1PC

B BACK



1PC

C BACK CUSHION



1PC

D LEG



4PCS

HARDWARE IDENTIFICATION

1 HEX NUT

(Ø5/16"*6mm - RBW)



2PCS

2 FLAT WASHER

(Ø5/16"*16*1.5MM-RBW)



2PCS

3 THREADED BOLT

(Ø5/16"*85MM - RBW)



2PCS

4 WRENCH

(M13*89MM - RBW)



1PC

5 PLASTIC WASHER

(Ø50*2MM - BLK)



4PCS

6 LOCK WASHER

(Ø5/16"*2MM - RBW)



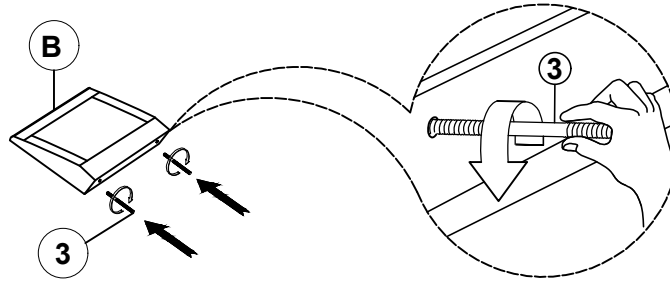
2PCS

ITEM: 551705

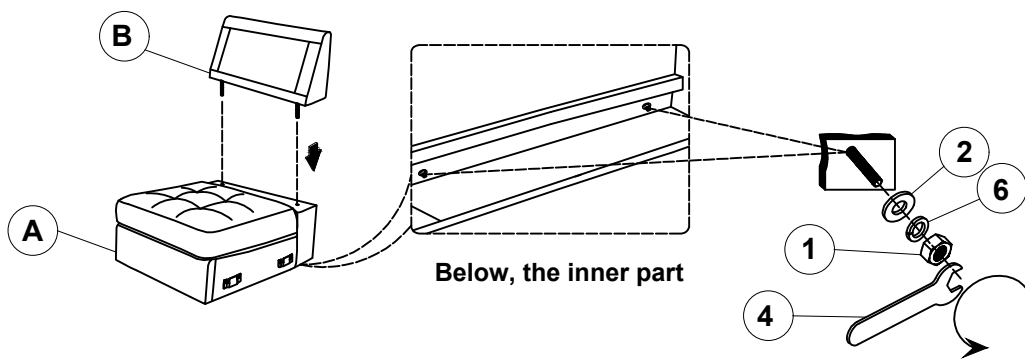
ASSEMBLY INSTRUCTIONS



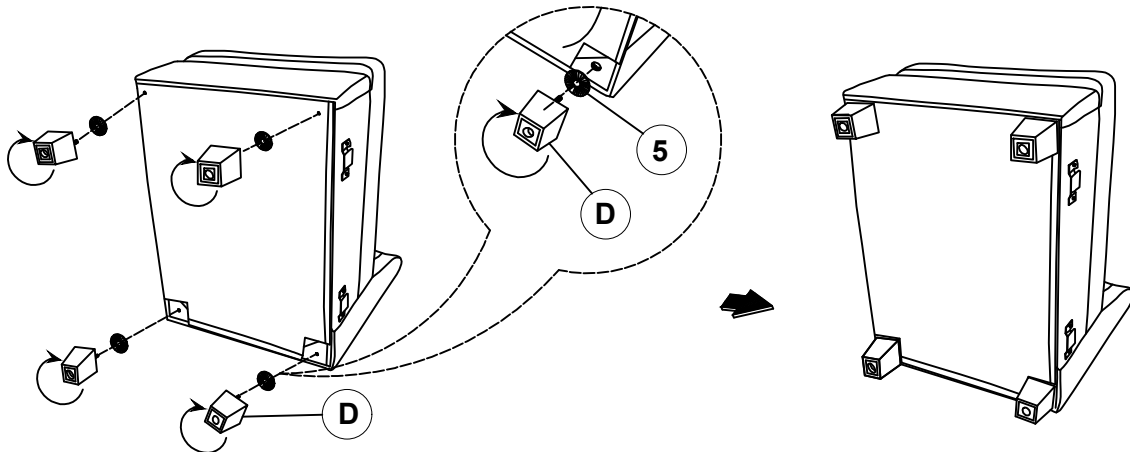
STEP 1



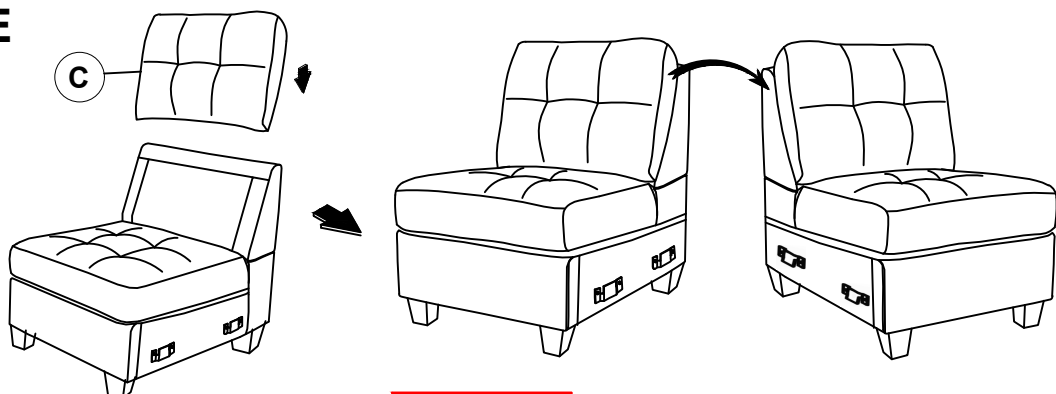
STEP 2



STEP 3



STEP 4 **COMPLETE**

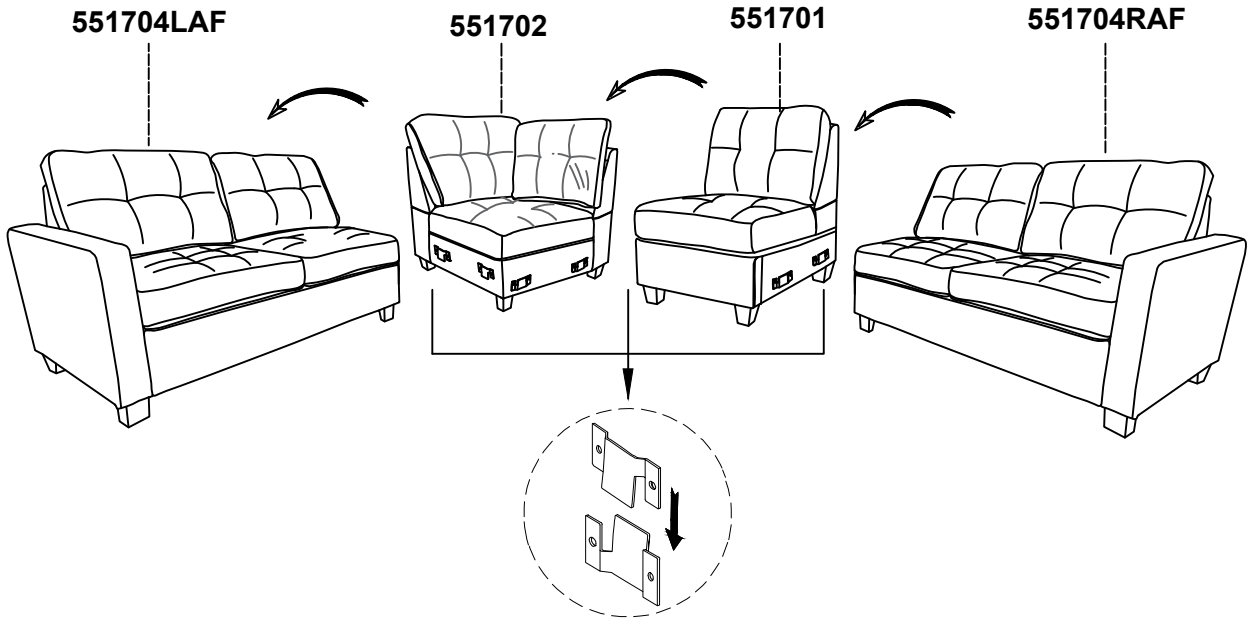


ITEM: 551705

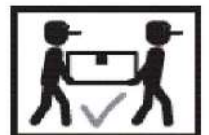
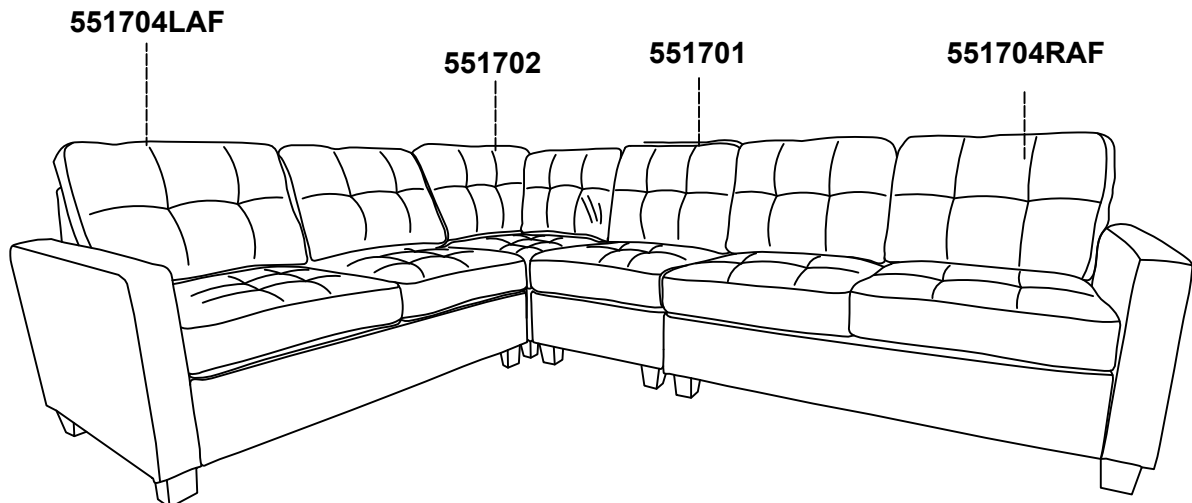
ASSEMBLY INSTRUCTIONS



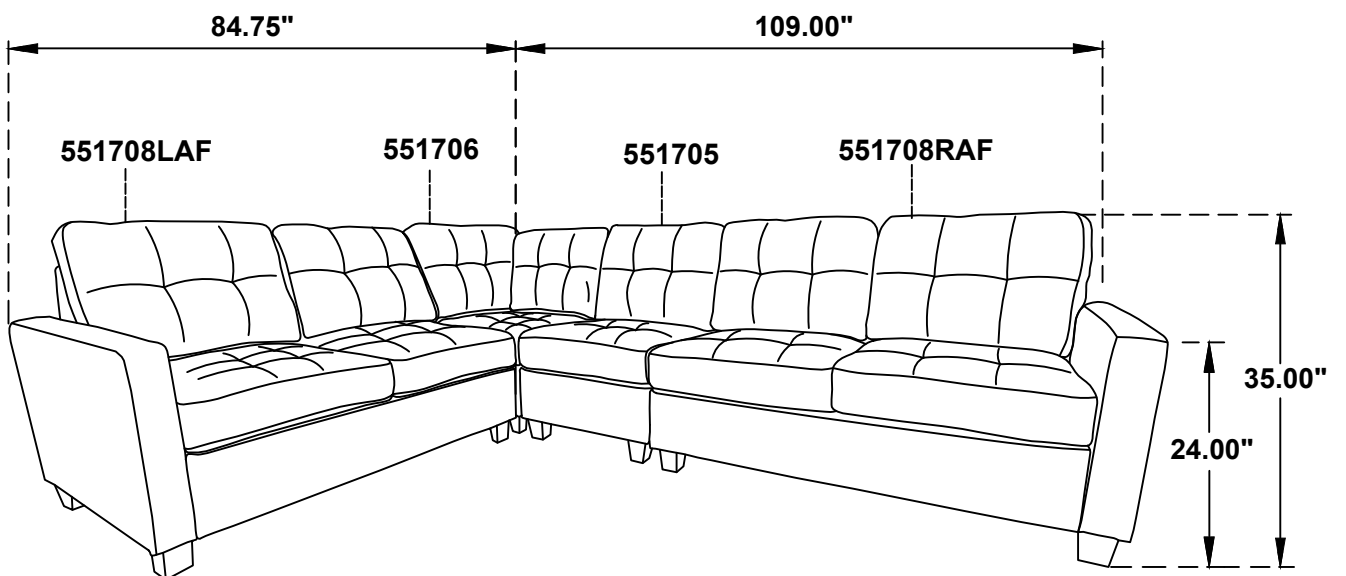
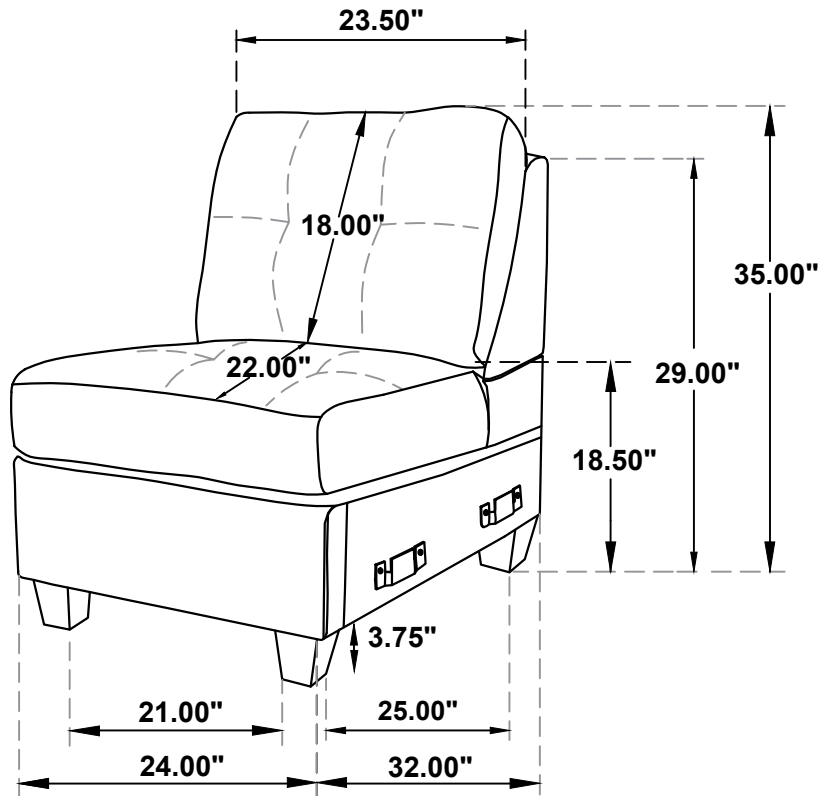
STEP 7



STEP 8



ITEM: 551705



Note: Dimension tolerance $\pm 5\%$

ASSEMBLY INSTRUCTIONS
COASTER FINE FURNITURE



Fine Furniture for every stage of life

551706
Corner

ITEM: 551706



ASSEMBLY INSTRUCTIONS

ASSEMBLY TIPS:

1. Remove hardware from box and sort by size.
2. Please check to see that all hardware and parts are present prior to start of assembly.
3. Please follow attached instructions in the same sequence as numbered to assure fast & easy assembly.



WARNING!



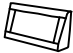



1. Don't attempt to repair or modify parts that are broken or defective. Please contact the store immediately.
2. This product is for home use only and not intended for commercial establishments.









ASSEMBLY TIME

5 MINUTES

PARTS IDENTIFICATION

A SEAT		1PC	B LEFT BACK		1PC
C RIGHT BACK		1PC	D RIGHT BACK CUSHION		1PC
E LEFT BACK CUSHION		1PC	F LEG		4PCS

HARDWARE IDENTIFICATION

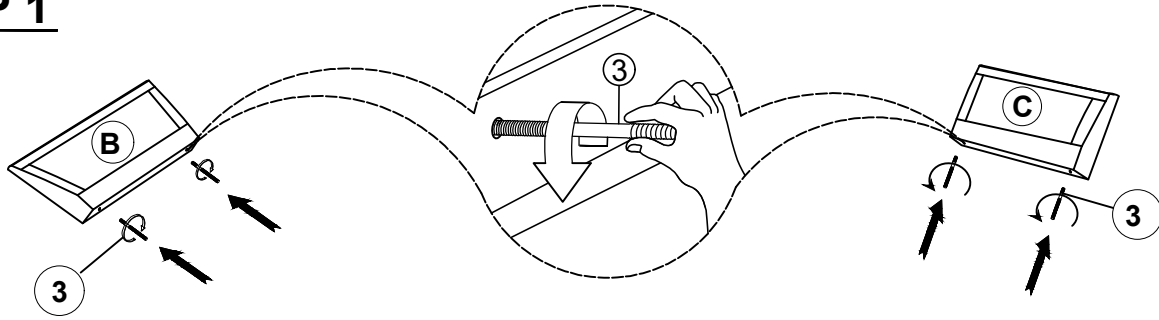
1 HEX NUT (Ø5/16"*6mm - RBW)		4PCS	2 FLAT WASHER (Ø5/16"*16*1.5MM-RBW)		4PCS
3 THREADED BOLT (Ø5/16"*85MM - RBW)		4PCS	4 WRENCH (M13*89MM - RBW)		1PC
5 PLASTIC WASHER (Ø50*2MM - BLK)		4PCS	6 LOCK WASHER (Ø5/16"*2MM -RBW)		4PCS

ITEM: 551706

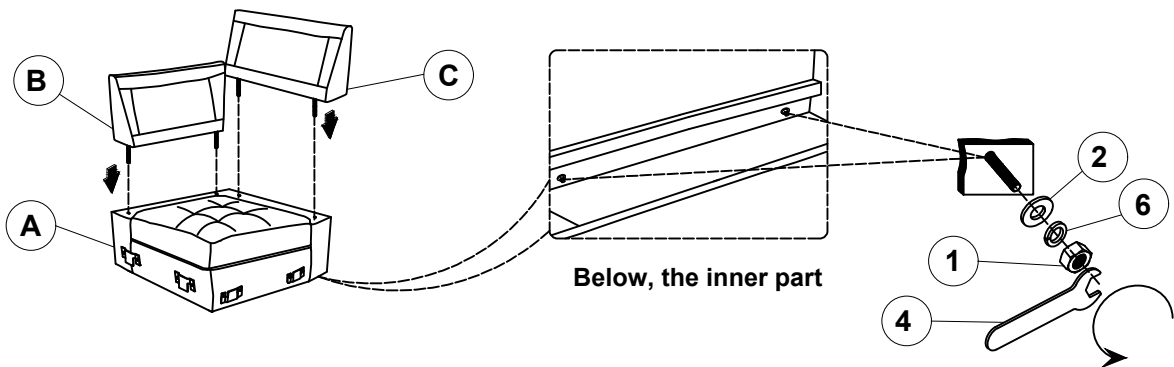
ASSEMBLY INSTRUCTIONS



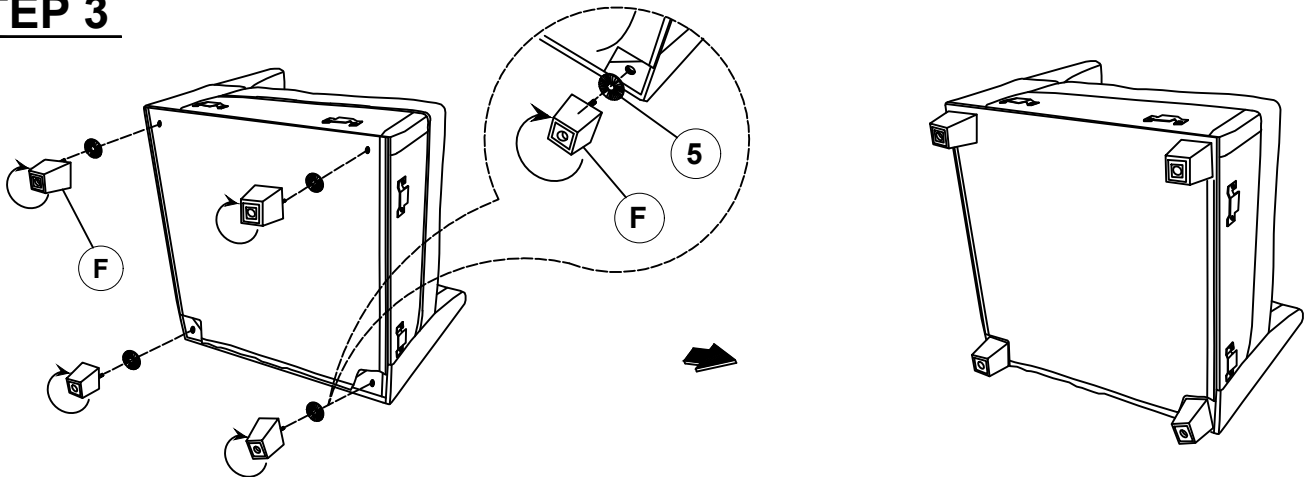
STEP 1



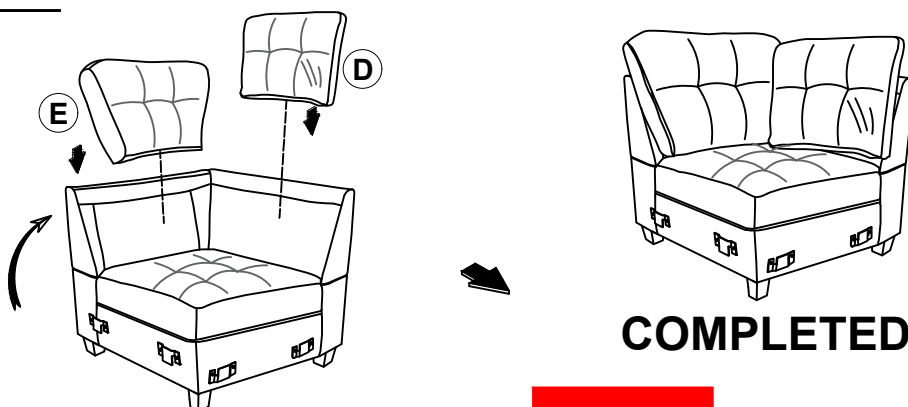
STEP 2



STEP 3



STEP 4



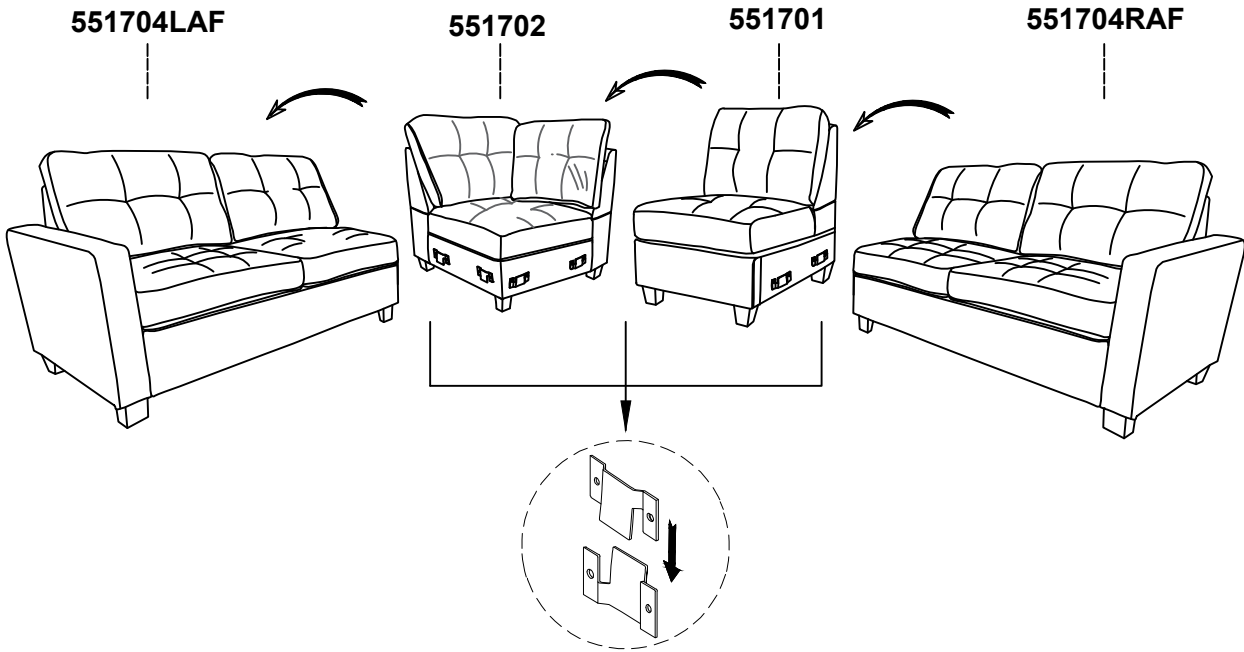
COMPLETED

ITEM: 551706

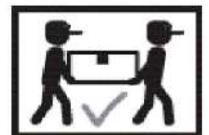
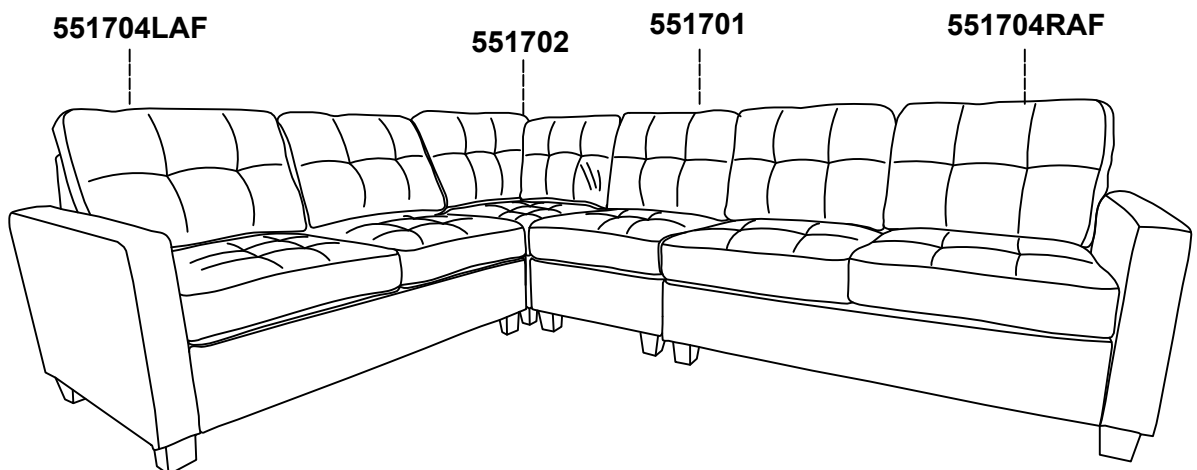
ASSEMBLY INSTRUCTIONS



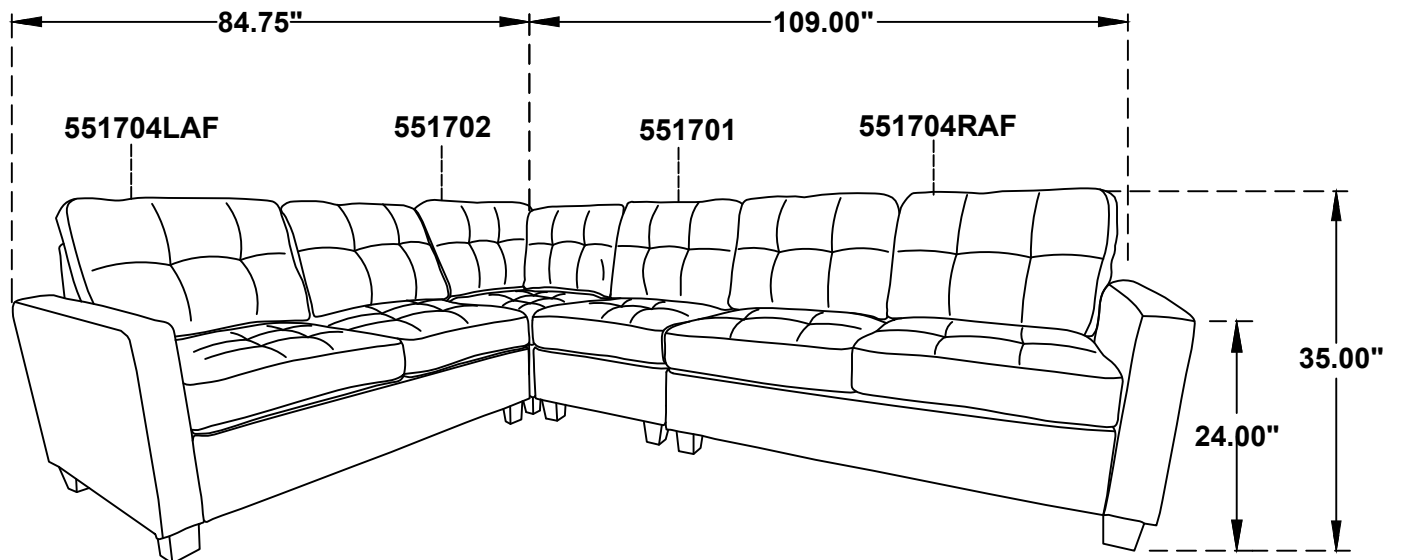
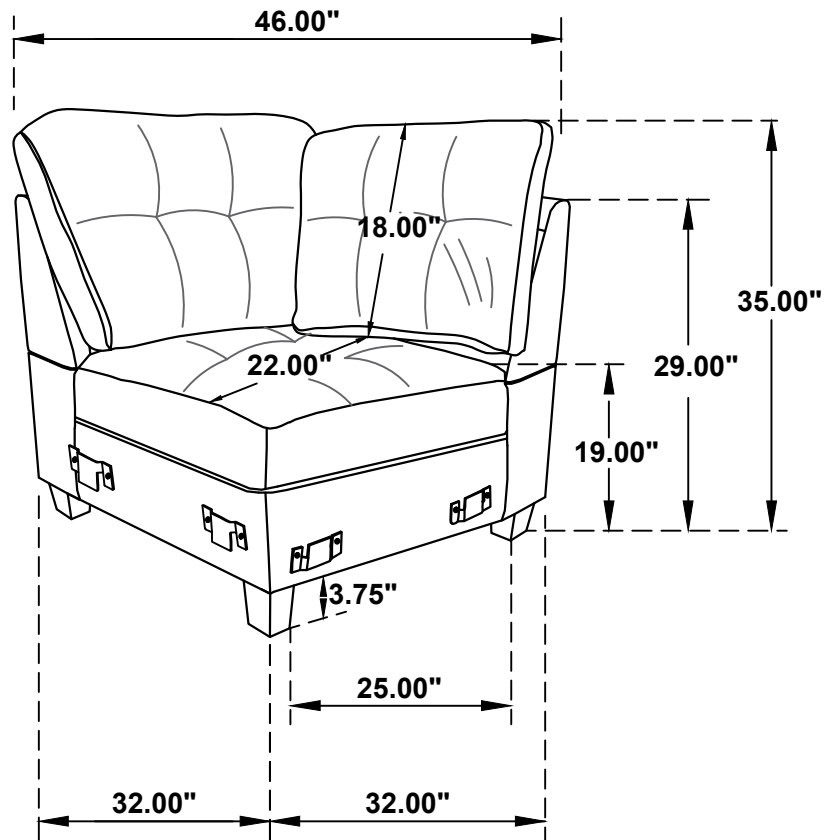
STEP 5



STEP 6



ITEM: 551706



Note: Dimension tolerance $\pm 5\%$



ASSEMBLY INSTRUCTIONS

COASTER FINE FURNITURE



Fine Furniture for every stage of life

551708LAF
Laf Loveseat

ITEM: 551708LAF



ASSEMBLY INSTRUCTIONS

ASSEMBLY TIPS:

1. Remove hardware from box and sort by size.
2. Please check to see that all hardware and parts are present prior to start of assembly.
3. Please follow attached instructions in the same sequence as numbered to assure fast & easy assembly.



WARNING!



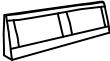


1. Don't attempt to repair or modify parts that are broken or defective. Please contact the store immediately.
2. This product is for home use only and not intended for commercial establishments.









ASSEMBLY TIME

10 MINUTES

PARTS IDENTIFICATION

A	SEAT		1PC	B	LEFT ARM		1PC
C	LEFT BACK		1PC	D	LEFT BACK CUSHION		2PCS
E	LEG		4PCS				

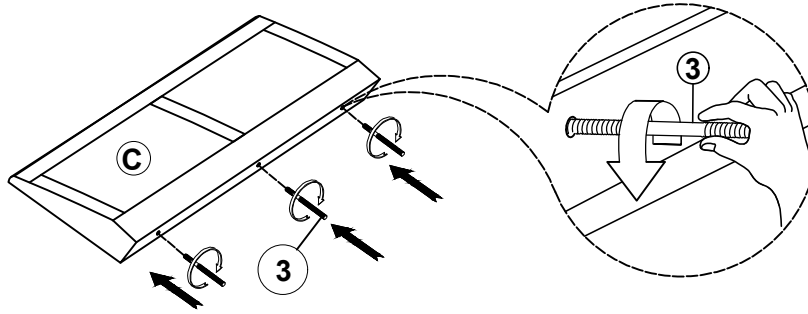
HARDWARE IDENTIFICATION

1	HEX NUT (Ø5/16**6mm - RBW)		7PCS	2	FLAT WASHER (Ø5/16**16*1.5MM-RBW)		7PCS
3	THREADED BOLT (Ø5/16**85MM - RBW)		7PCS	4	WRENCH (M13*89MM - RBW)		1PC
5	PLASTIC WASHER (Ø50*2MM - BLK)		4PCS	6	LOCK WASHER (Ø5/16**2MM - RBW)		7PCS

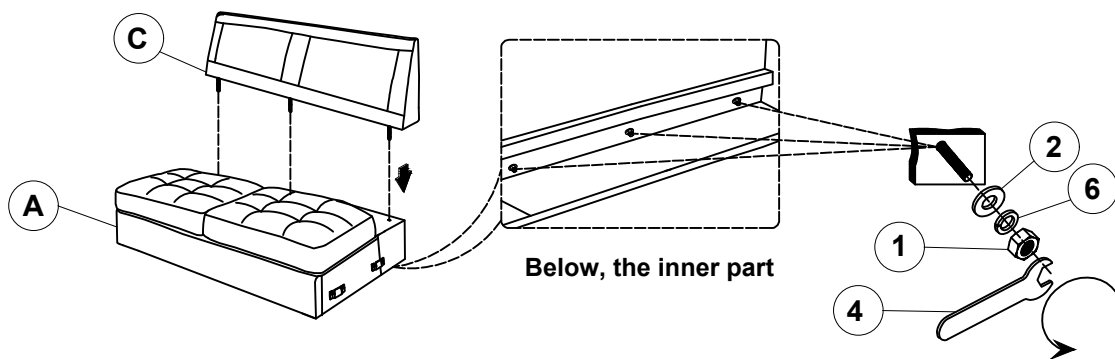
ITEM: 551708LAF

ASSEMBLY INSTRUCTIONS

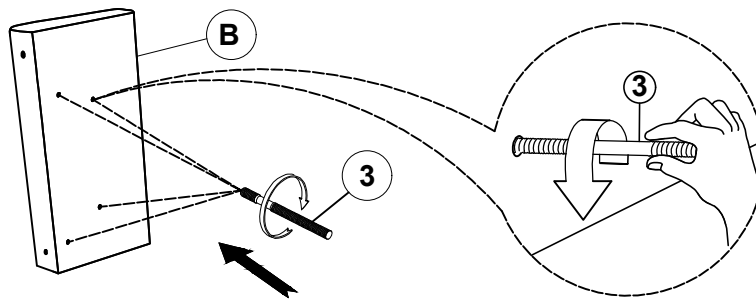
STEP 1



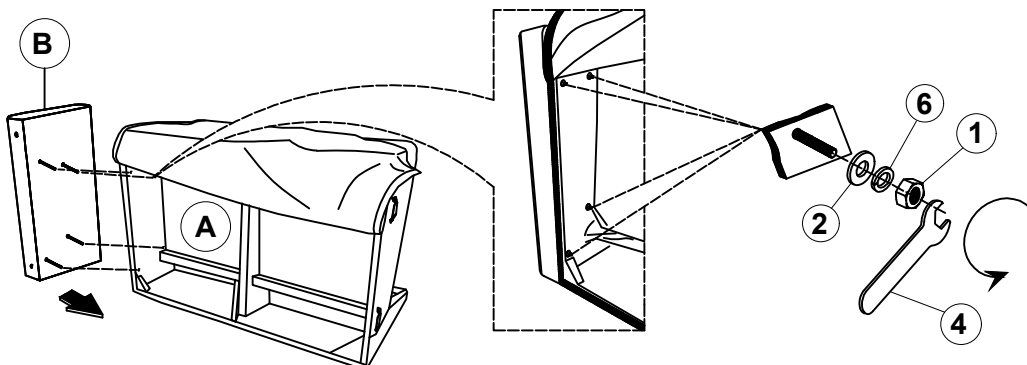
STEP 2



STEP 3



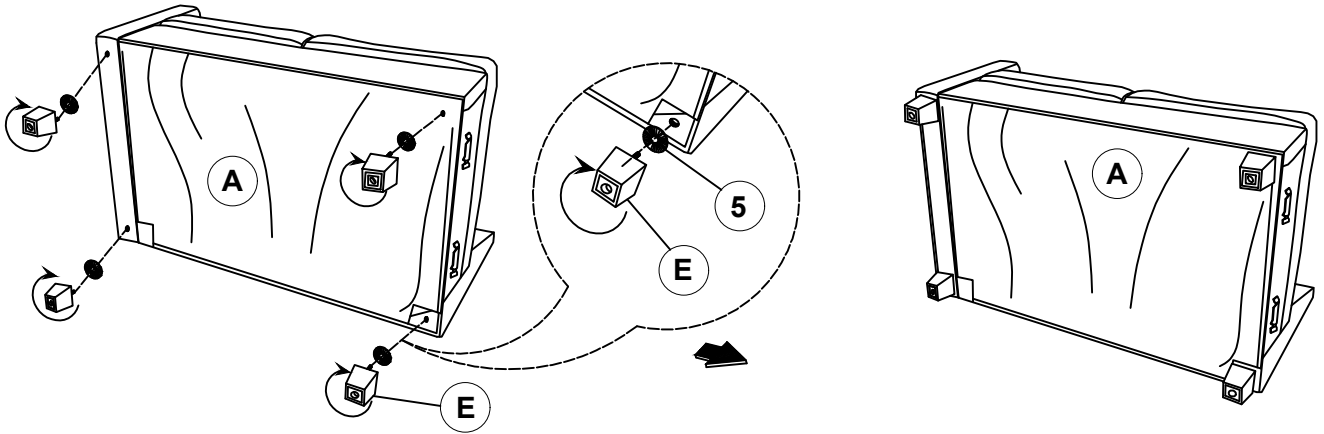
STEP 4



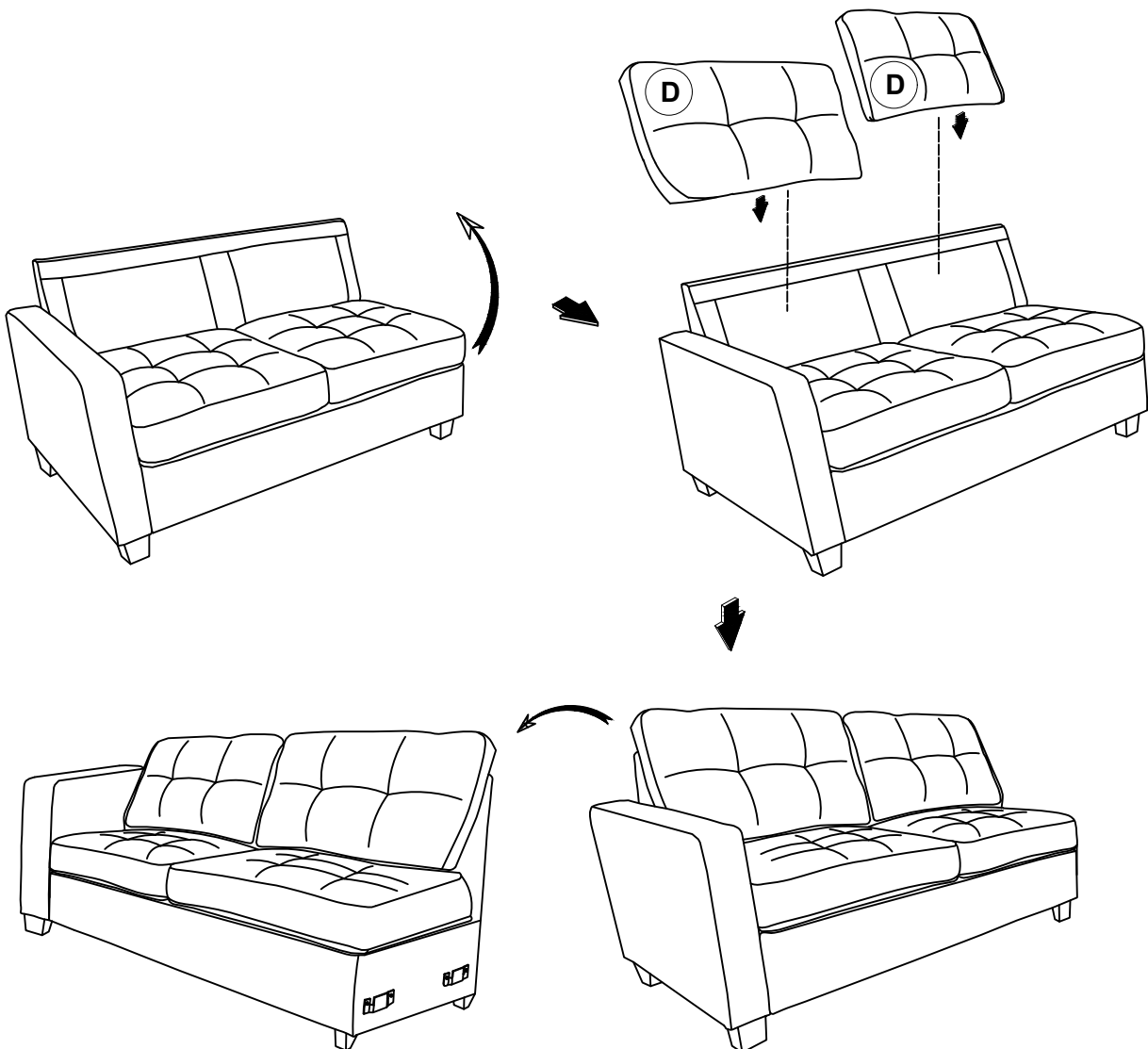
ITEM: 551708LAF
ASSEMBLY INSTRUCTIONS



STEP 5



STEP 6
COMPLETE

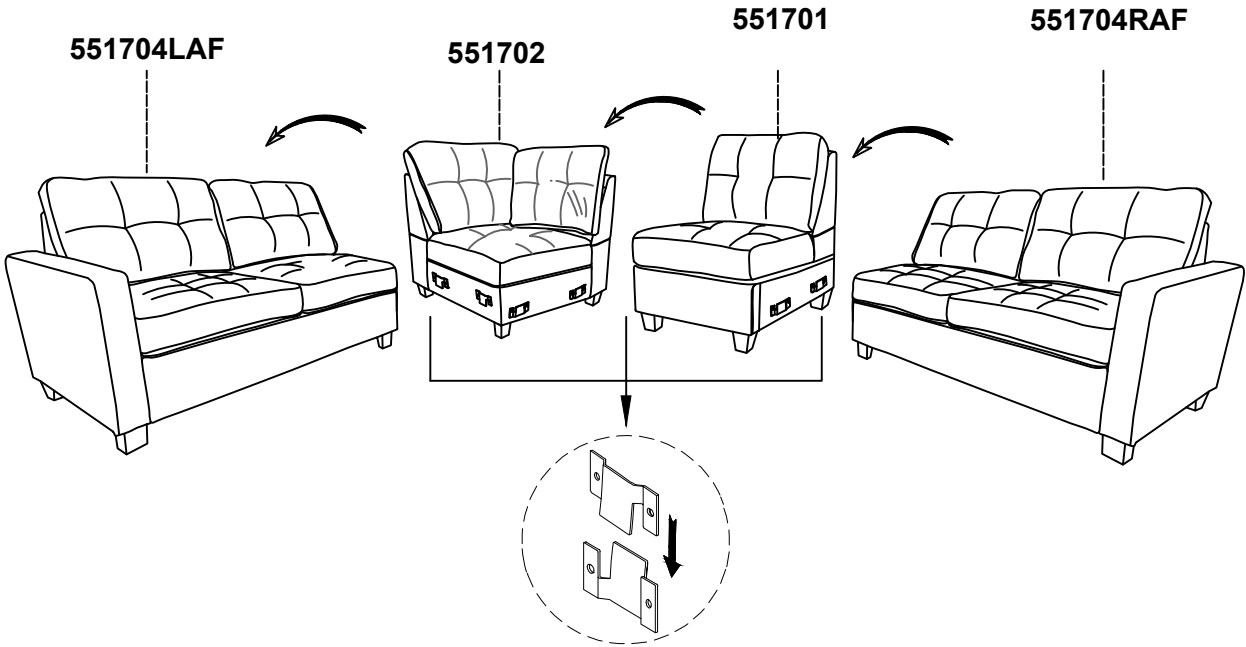


ITEM: 551708LAF

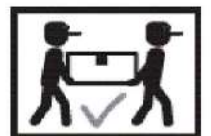
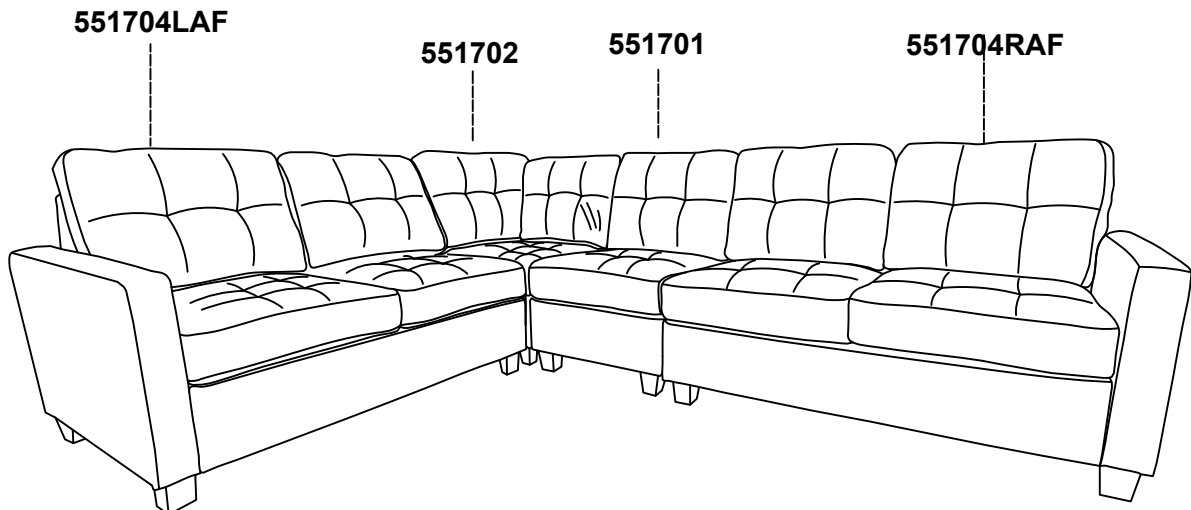
ASSEMBLY INSTRUCTIONS



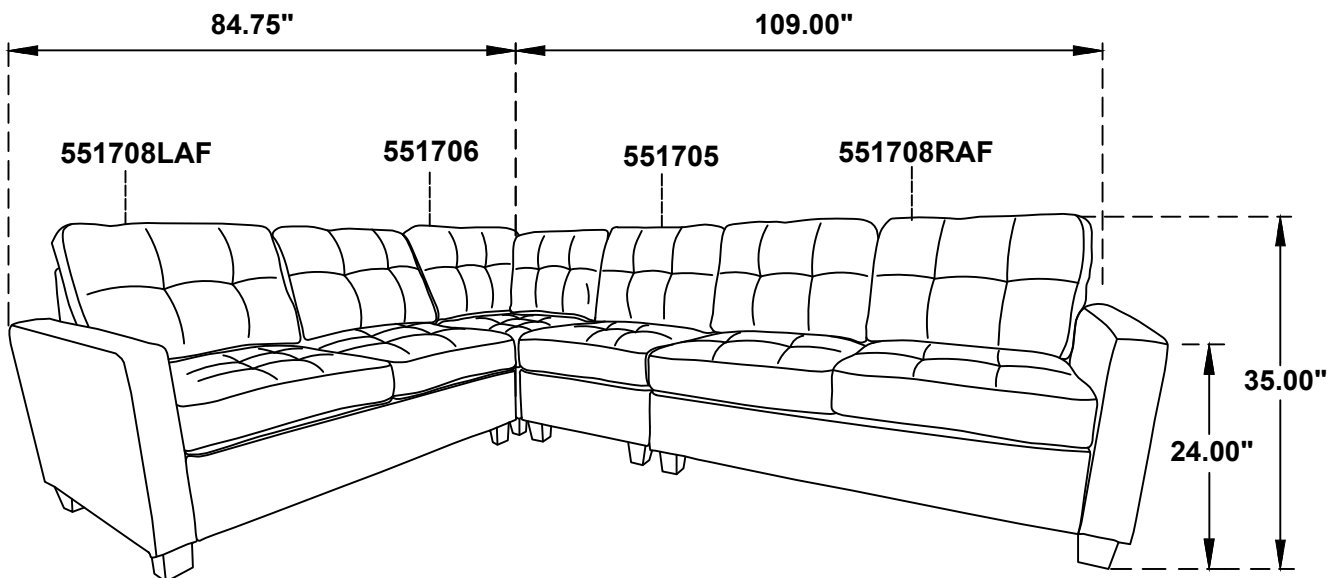
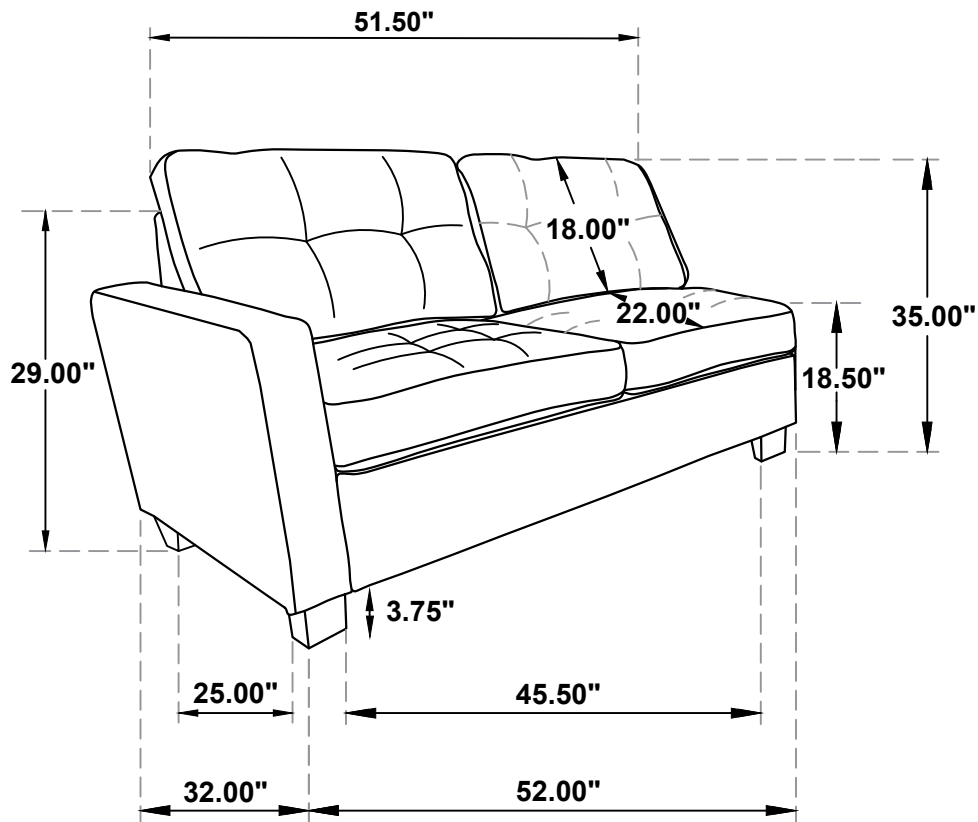
STEP 7



STEP 8



ITEM: 551708LAF



Note: Dimension tolerance $\pm 5\%$

ASSEMBLY INSTRUCTIONS
COASTER FINE FURNITURE



Fine Furniture for every stage of life

551708RAF
Raf Loveseat

ITEM: 551708RAF



ASSEMBLY INSTRUCTIONS

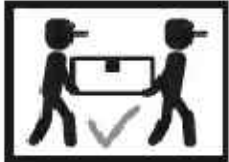
ASSEMBLY TIPS:

1. Remove hardware from box and sort by size.
2. Please check to see that all hardware and parts are present prior to start of assembly.
3. Please follow attached instructions in the same sequence as numbered to assure fast & easy assembly.



WARNING!

1. Don't attempt to repair or modify parts that are broken or defective. Please contact the store immediately.
2. This product is for home use only and not intended for commercial establishments.



ASSEMBLY TIME

10 MINUTES

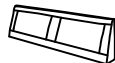
PARTS IDENTIFICATION

A SEAT



1PC

C RIGHT BACK



1PC

E LEG



4PCS

B RIGHT ARM



1PC

D RIGHT BACK CUSHION



2PCS

HARDWARE IDENTIFICATION

1 HEX NUT

(Ø5/16"×6mm-RBW)



7PCS

3 THREADED BOLT

(Ø5/16"×85MM-RBW)



7PCS

5 PLASTIC WASHER

(Ø50*2MM-BLK)



4PCS

2 FLAT WASHER

(Ø5/16"×16*1.5MM-RBW)



7PCS

4 WRENCH

(M13*89MM-RBW)



1PC

6 LOCK WASHER

(Ø5/16"×2MM-RBW)

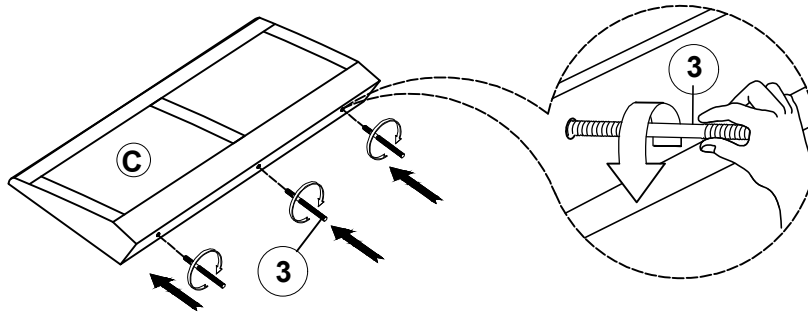


7PCS

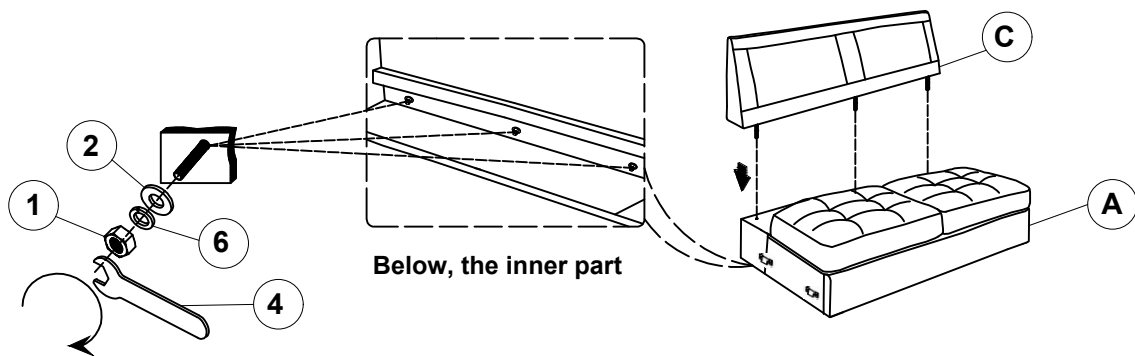
ITEM: 551708RAF

ASSEMBLY INSTRUCTIONS

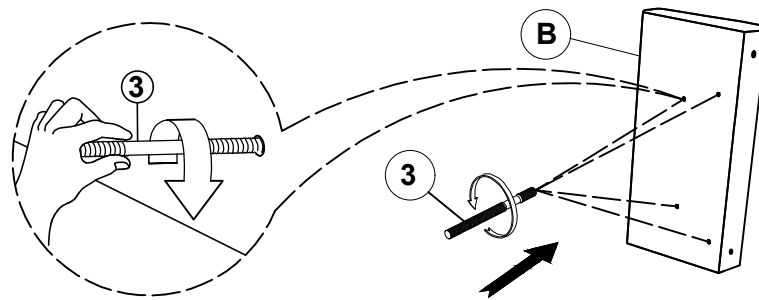
STEP 1



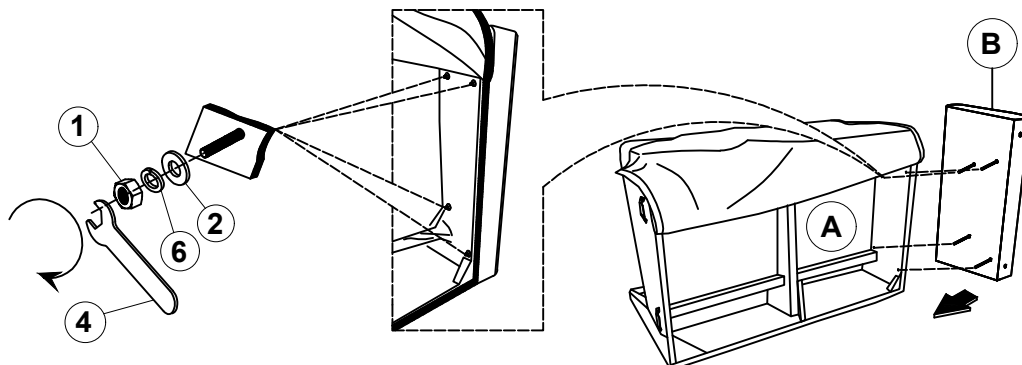
STEP 2



STEP 3



STEP 4

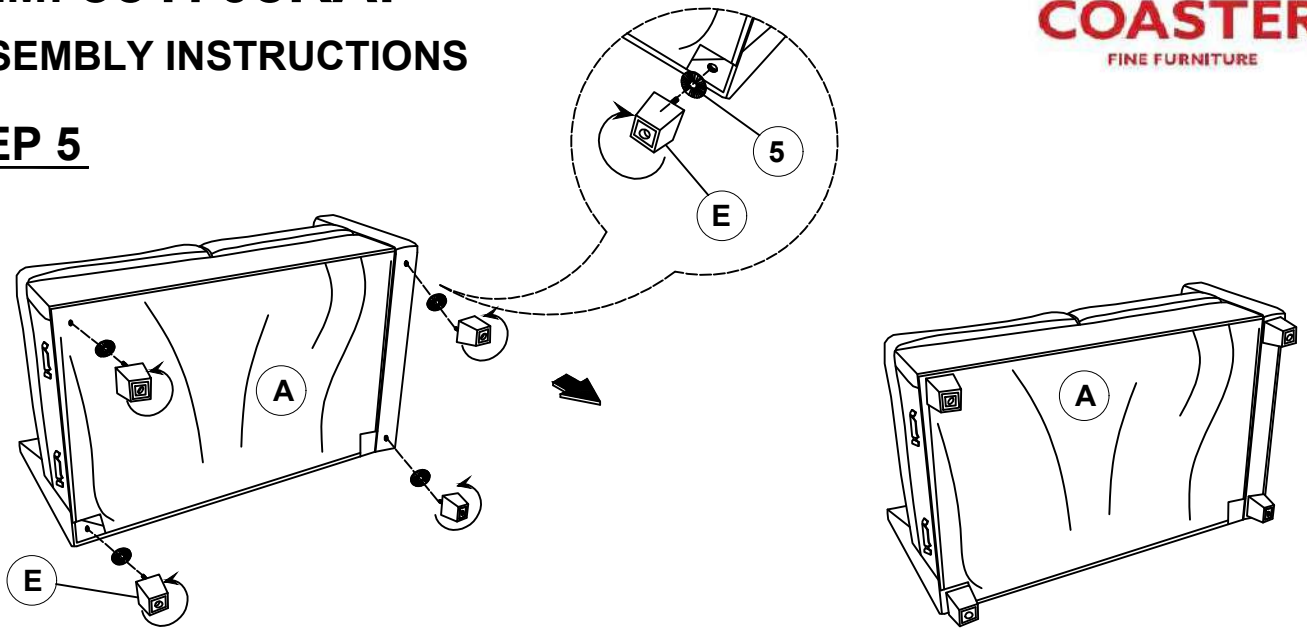


ITEM: 551708RAF

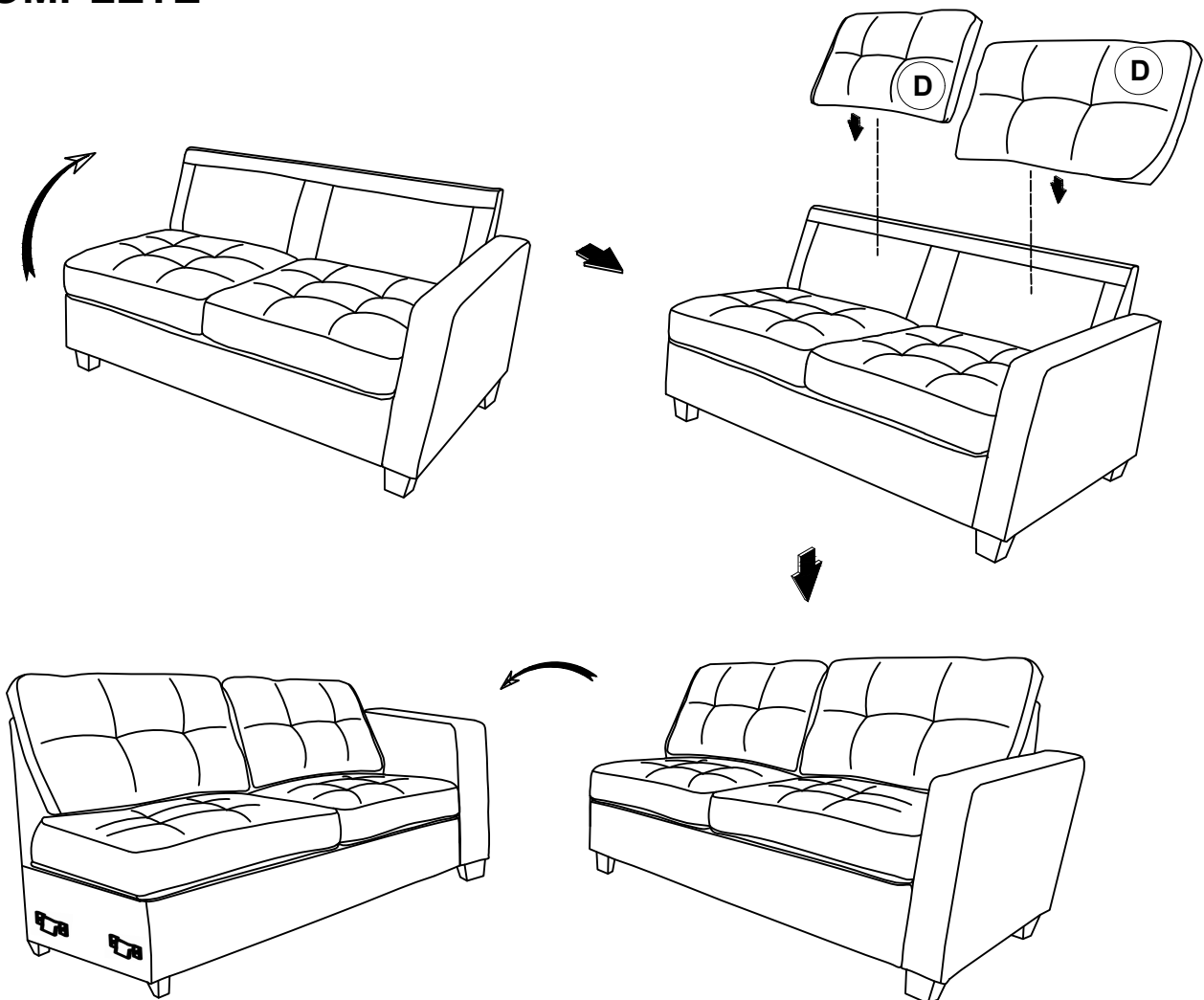
ASSEMBLY INSTRUCTIONS



STEP 5



STEP 6 COMPLETE

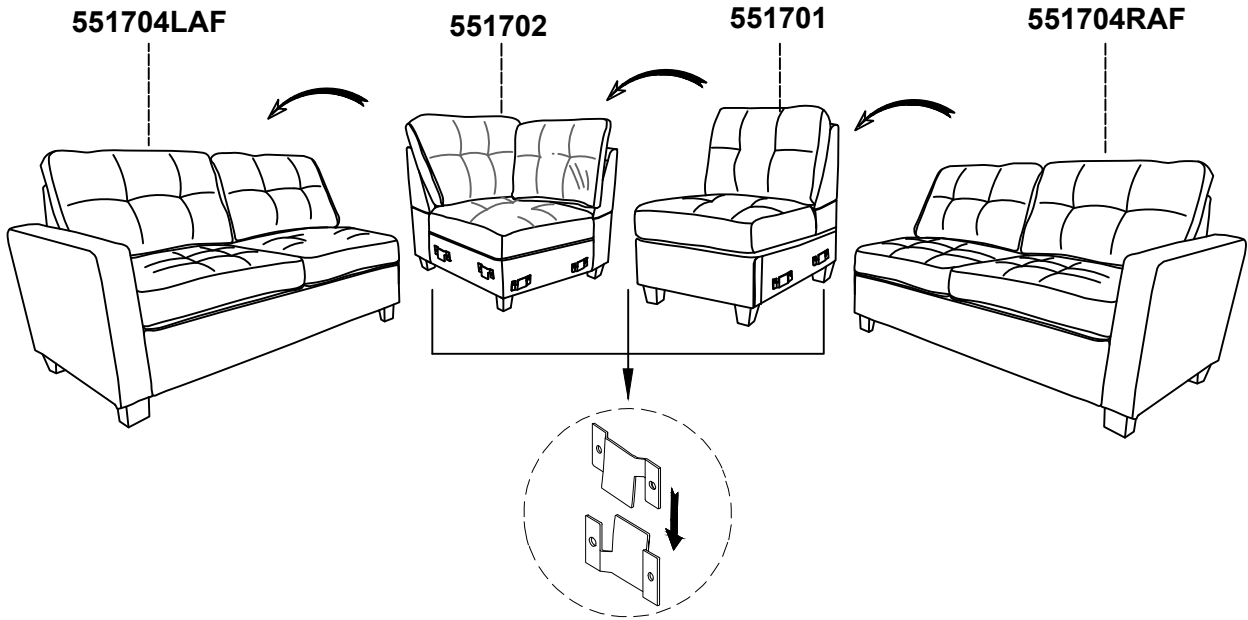


ITEM: 551708RAF

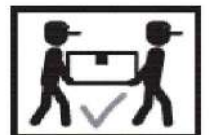
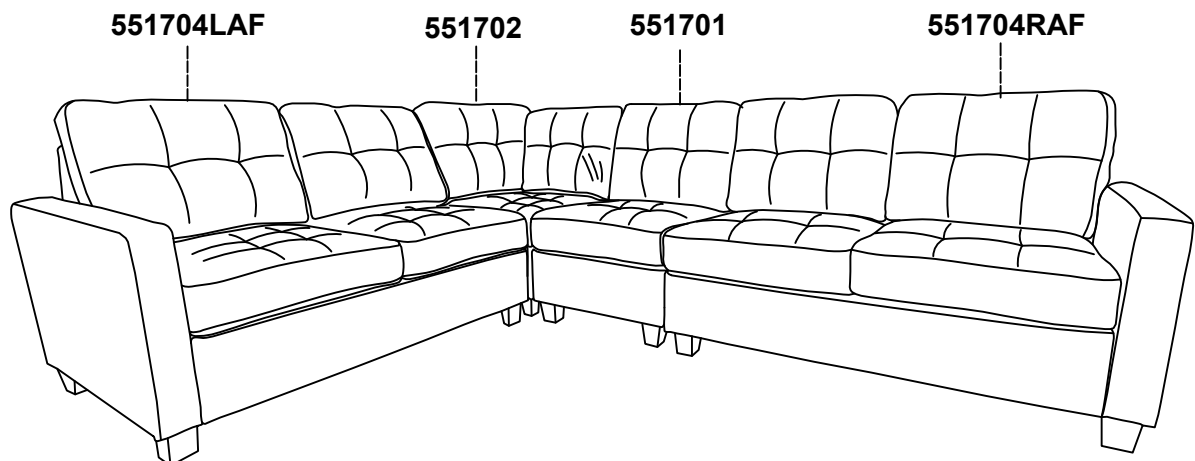
ASSEMBLY INSTRUCTIONS



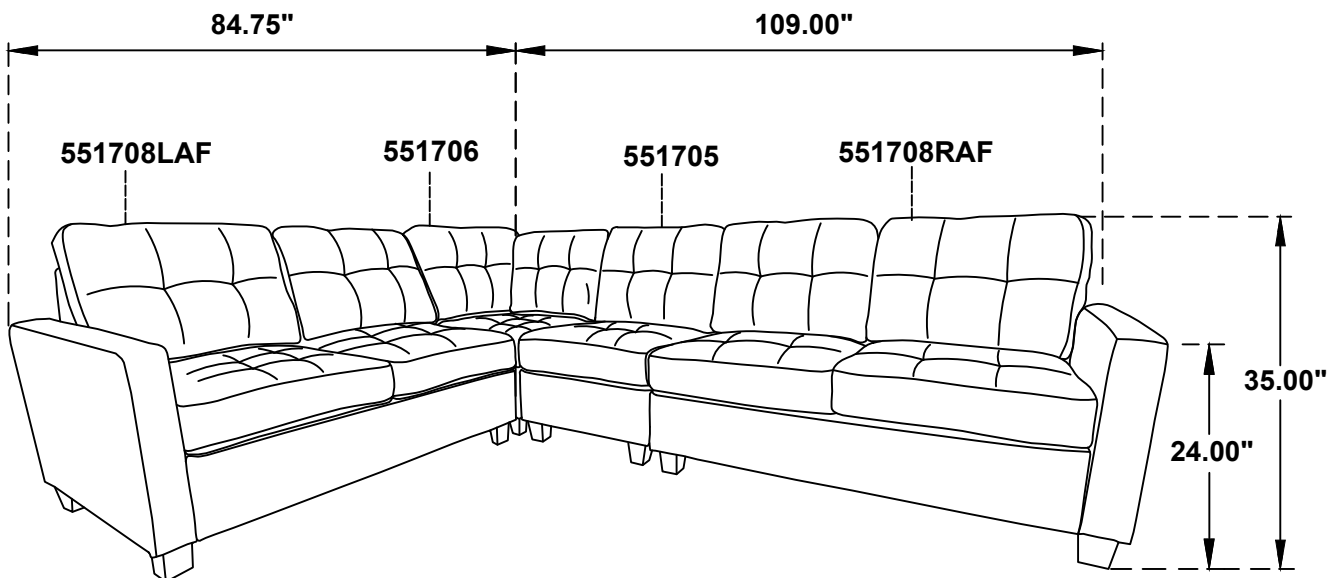
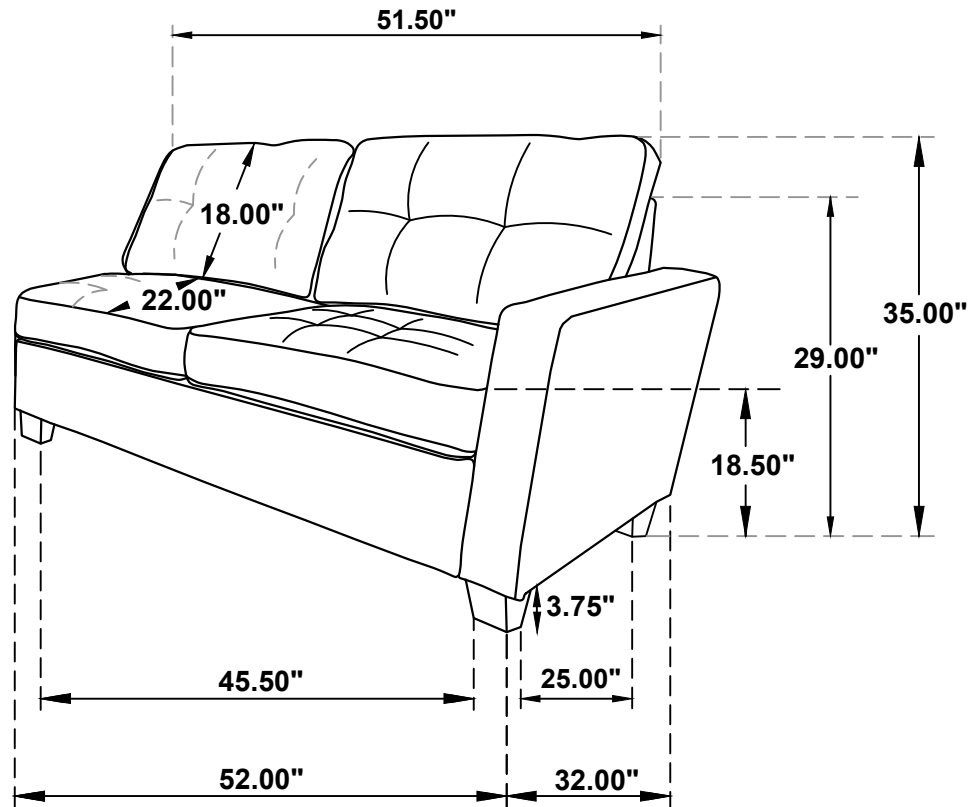
STEP 7



STEP 8



ITEM: 551708RAF



Note: Dimension tolerance $\pm 5\%$