



*ASSEMBLY INSTRUCTIONS
COASTER FINE FURNITURE*



Fine Furniture for every stage of life

600001
Recliner

REVISION 0 : 06/10/2007
REVISION 1 : 10/11/2012
REVISION 2 : 11/12/2013
REVISION 3 : 08/12/2015
REVISION 4 : 07/20/2018
REVISION 5 : 07/29/2020

PAGE 1 OF 3

COASTERFURNITURE.COM

ITEM: **600001**



ASSEMBLY INSTRUCTIONS

ASSEMBLY TIPS:

1. Remove hardware from box and sort by size.
2. Please check to see that all hardware and parts are present prior to start of assembly.
3. Please follow attached instructions in the same sequence as numbered to assure fast & easy assembly.



WARNING!

1. Don't attempt to repair or modify parts that are broken or defective. Please contact the store immediately.
2. This product is for home use only and not intended for commercial establishments.



ASSEMBLY TIME

5 MINUTES

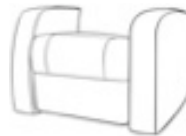
PARTS IDENTIFICATION

A **BACK**



1PC

B **BASE**

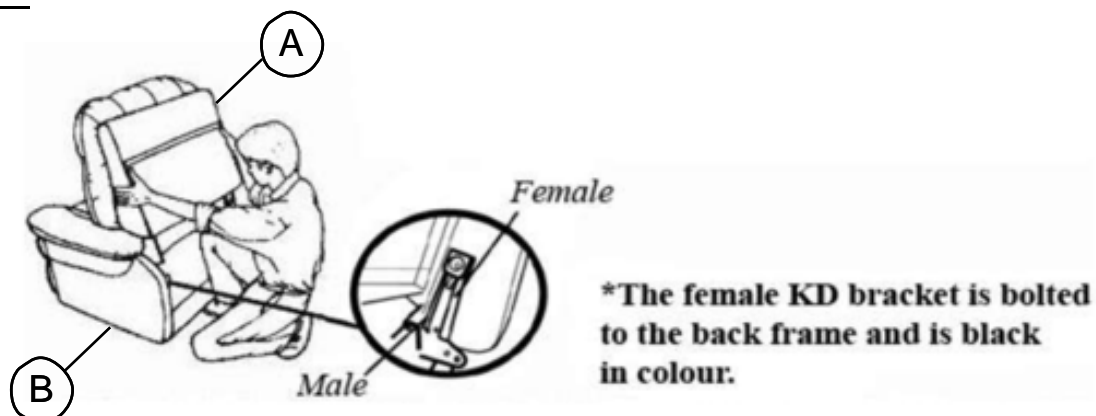


1PC

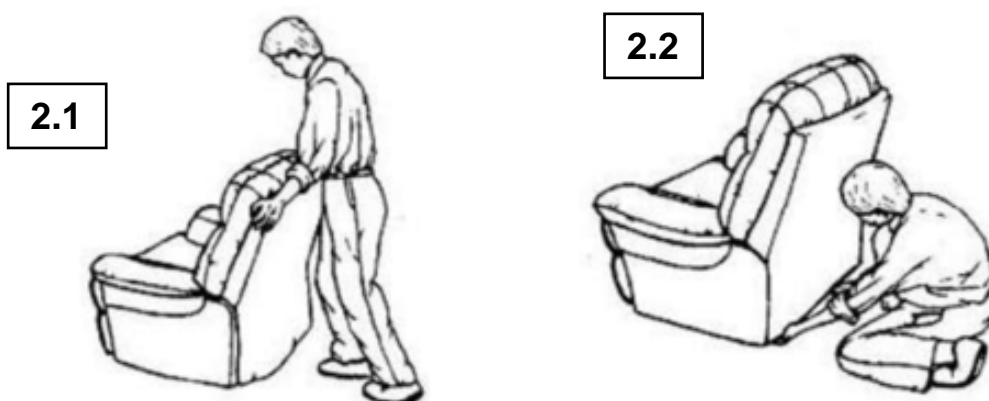
ITEM: **600001**

ASSEMBLY INSTRUCTIONS

STEP 1



STEP 2

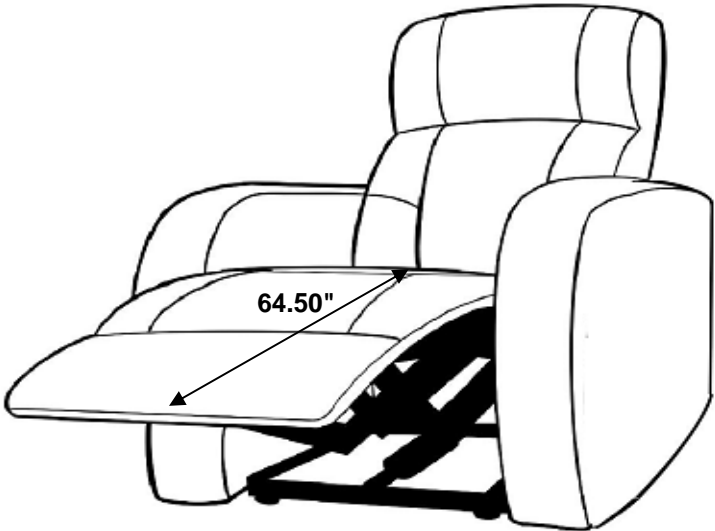
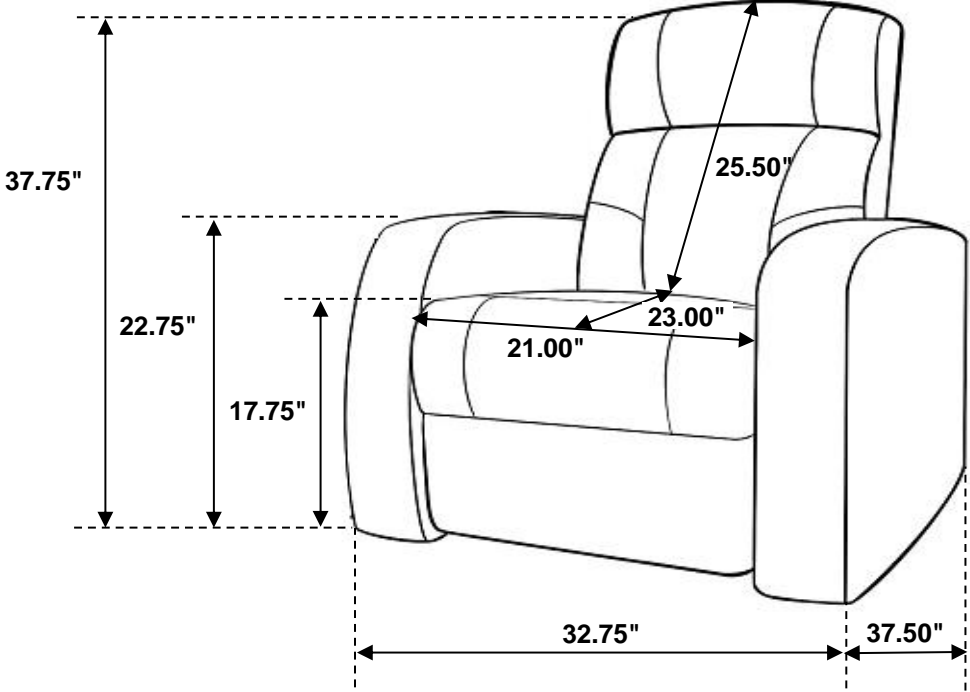


STEP 3

COMPLETE



ITEM: **600001**



Note : Dimension tolerance $\pm 5\%$



*ASSEMBLY INSTRUCTIONS
COASTER FINE FURNITURE*



Fine Furniture for every stage of life

600002
Wedge

REVISION 0 : 06/10/2007
REVISION 1 : 10/11/2012
REVISION 2 : 11/12/2013
REVISION 3 : 08/12/2015
REVISION 4 : 07/20/2018
REVISION 5 : 07/29/2020

PAGE 1 OF 3

COASTERFURNITURE.COM

ITEM: **600002**



ASSEMBLY INSTRUCTIONS

ASSEMBLY TIPS:

1. Remove hardware from box and sort by size.
2. Please check to see that all hardware and parts are present prior to start of assembly.
3. Please follow attached instructions in the same sequence as numbered to assure fast & easy assembly.



WARNING!

1. Don't attempt to repair or modify parts that are broken or defective. Please contact the store immediately.
2. This product is for home use only and not intended for commercial establishments.



ASSEMBLY TIME

5 MINUTES

PARTS IDENTIFICATION

A WEDGE



1PC

B RECLINER
FROM BOX ITEM# 600001

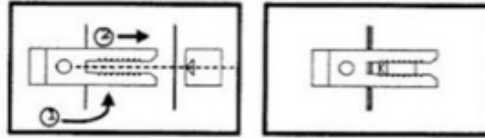


2PCS

ITEM: **600002**

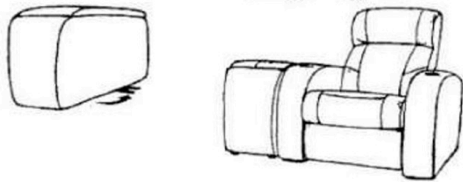
ASSEMBLY INSTRUCTIONS

STEP 1

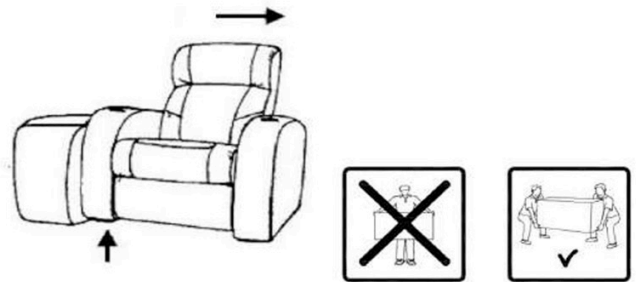


STEP 2

Assemble the wedge to the recliner

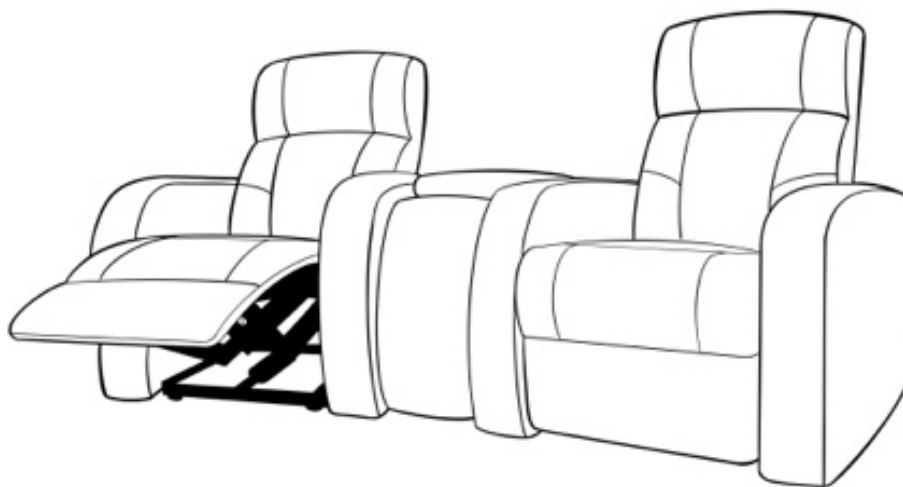


Disassemble the wedge from the recliner

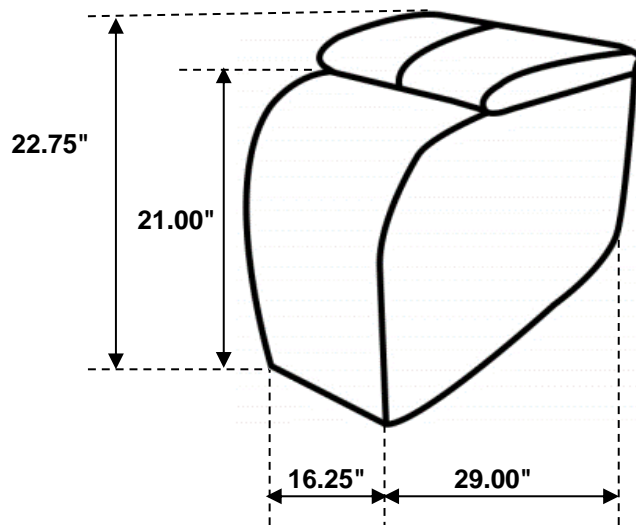


STEP 3

COMPLETE



ITEM: **600002**



Note : Dimension tolerance $\pm 5\%$