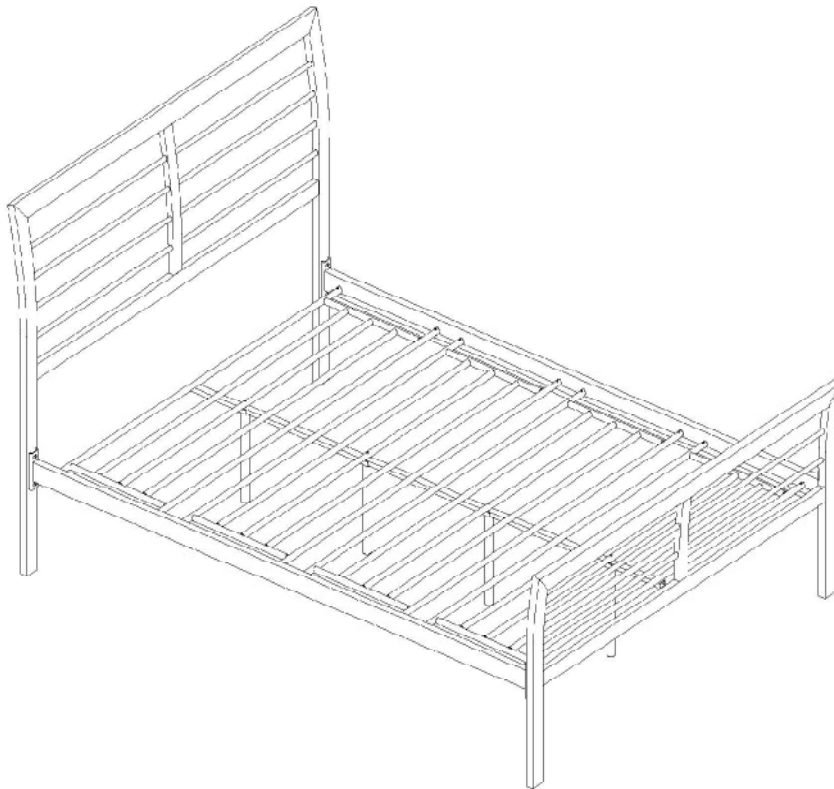


**ASSEMBLY INSTRUCTIONS**  
**COASTER FINE FURNITURE**



*Fine Furniture for every stage of life*

**300201F(B1-B2)**  
***Full Bed***

REVISION 0 : 05/30/2019  
REVISION 1 : 10/21/2019  
REVISION 2 : 05/12/2021  
REVISIONH : FF/01/202G  
REVISION4 : 02/23/2023  
REVISION5 : 03/02/2024

# ITEM: 300201F(B1-B2)



## ASSEMBLY INSTRUCTIONS

### ASSEMBLY TIPS:

1. Remove hardware from box and sort by size.
2. Please check to see that all hardware and parts are present prior to start of assembly.
3. Please follow attached instructions in the same sequence as numbered to assure fast & easy assembly.

### WARNING!

1. Don't attempt to repair or modify parts that are broken or defective. Please contact the store immediately.
2. This product is for home use only and not intended for commercial establishments.



ASSEMBLY TIME

15 MINUTES

## PARTS IDENTIFICATION

### B1 ( BOX 1 )

A HEADBOARD



1PC

B FOOTBOARD



1PC

C PLATFORM



4PCS

F SUPPORT LEG



4PCS

### B2 ( BOX 2 )

D SIDE RAIL



2PCS

E PLATFORM SUPPORT



1PC

## HARDWARE IDENTIFICATION

HARDWARE PACK IS LOCATED IN 300201FB1

1 BOLT  
M6X25mm



8PCS

2 BOLT  
M6X38mm



16PCS

3 BOLT  
M6X45mm



4PCS

4 WASHER  
6.5mm



24PCS

5 NUT  
M6



16PCS

6 ALLEN KEY  
4mm



1PC

7 WRENCH  
10mm



1PC

### NOTE:

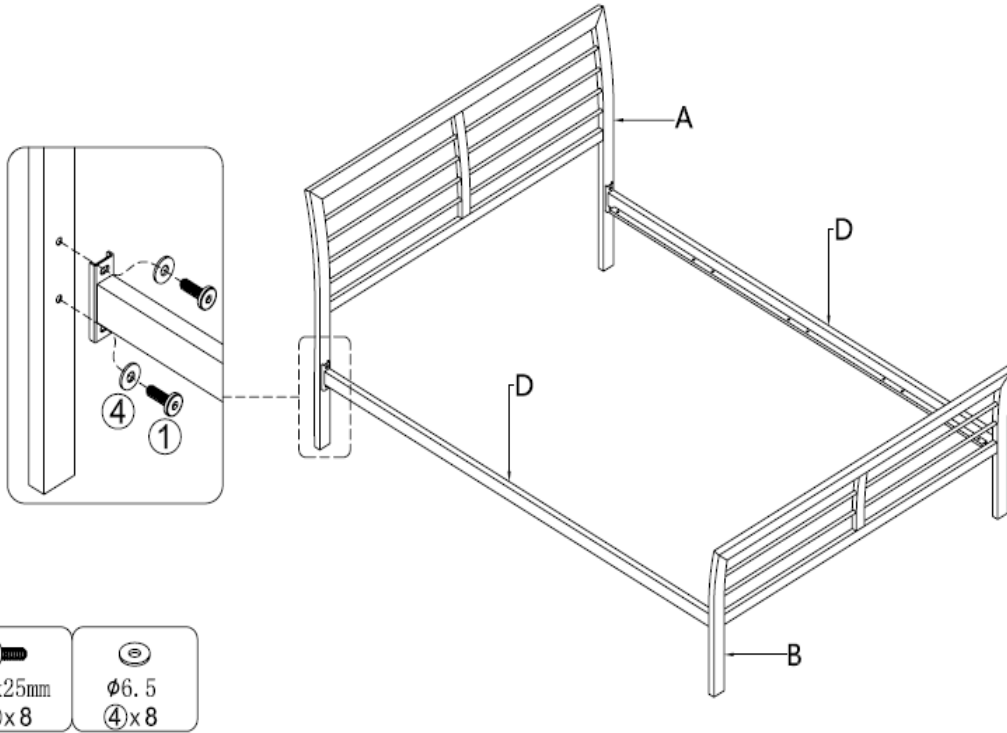
Phillips head screw driver is required in the assembly process; however, manufacturer does not provide this item.

# ITEM: 300201F(B1-B2)

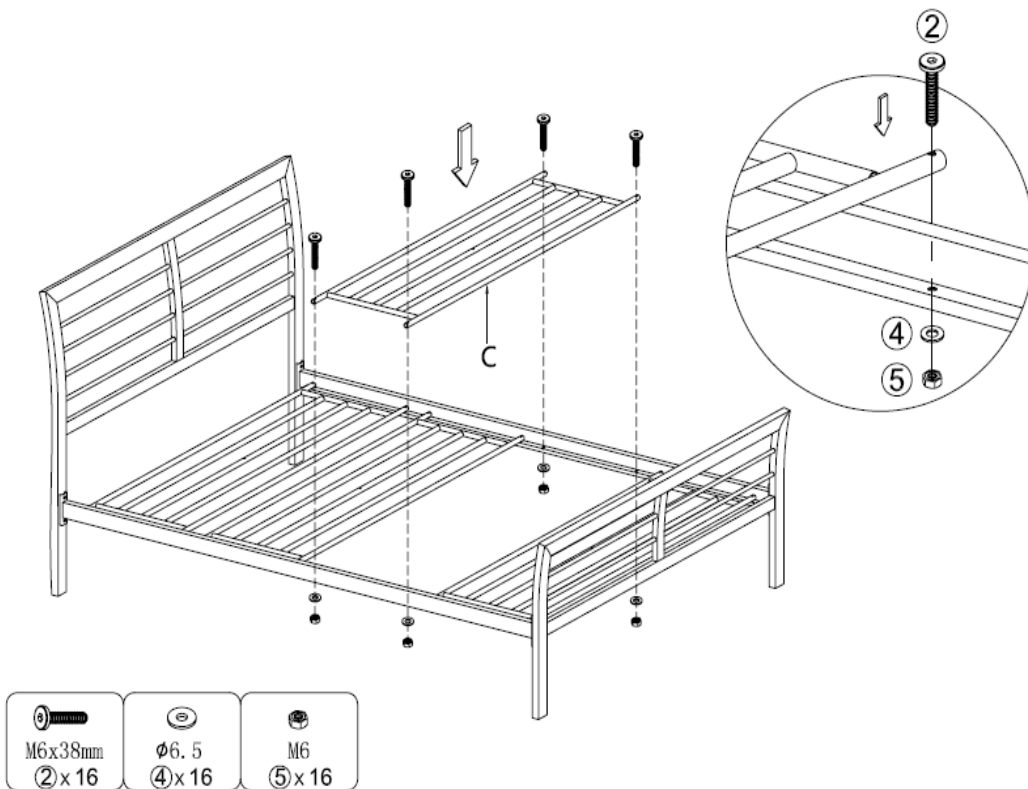


## ASSEMBLY INSTRUCTIONS

### STEP 1



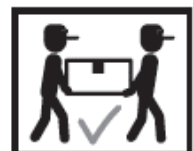
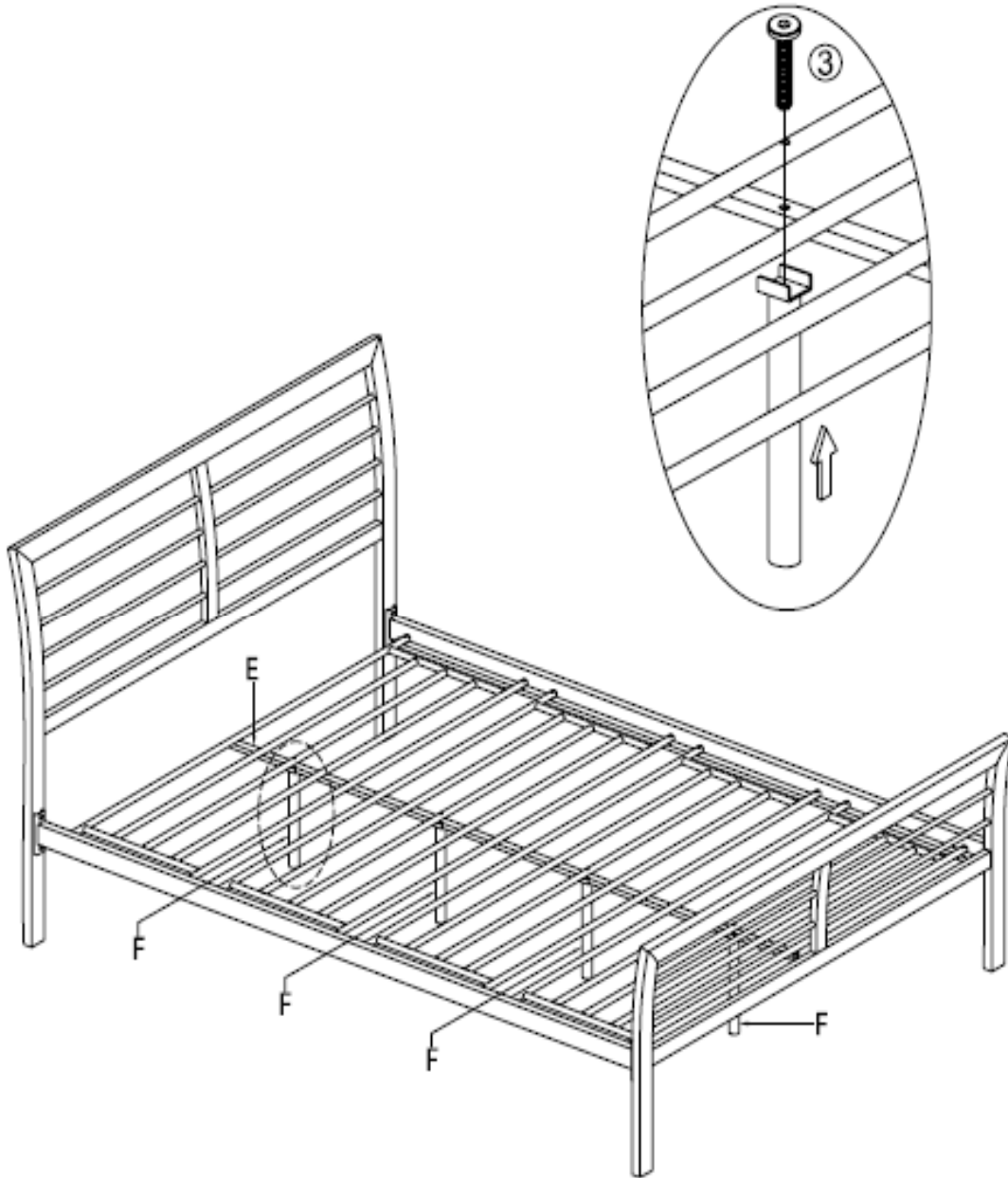
### STEP 2



ITEM: **300201F(B1-B2)**



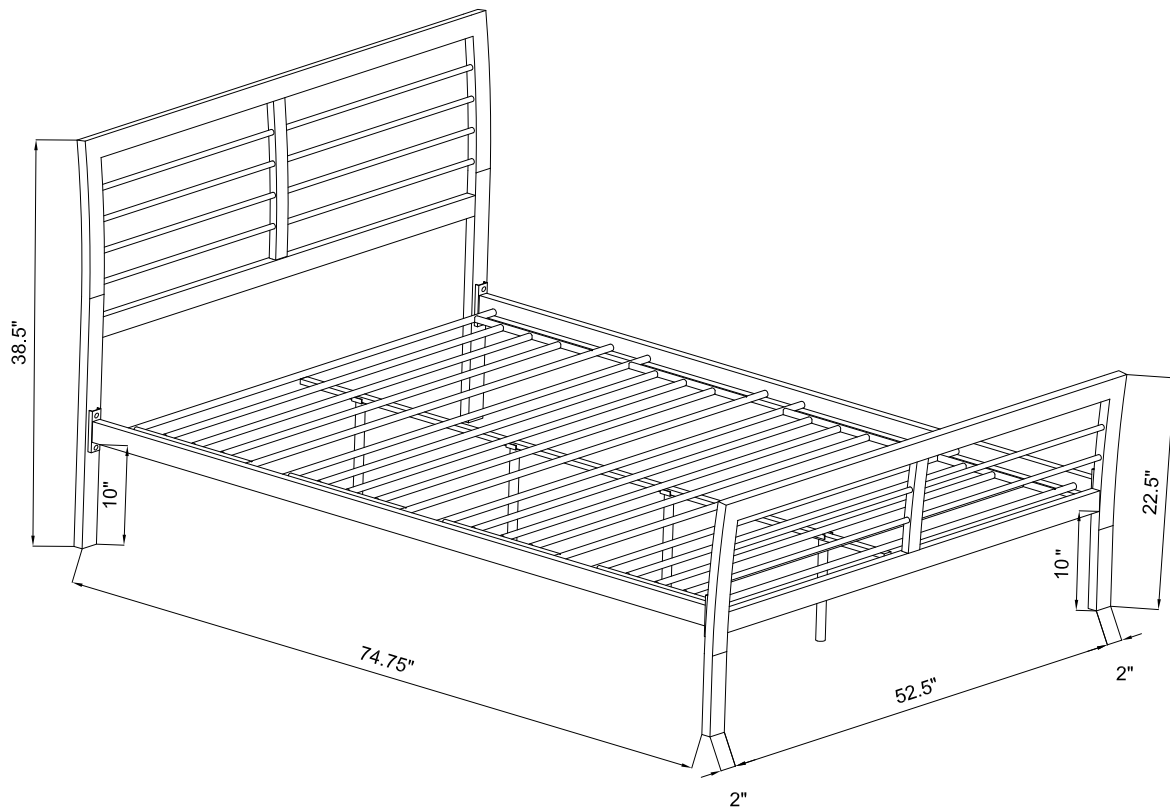
**ASSEMBLY INSTRUCTIONS**  
**STEP 3**



# ITEM: 300201F(B1-B2)

## PRODUCT DIMENSION:

Product size :W1450mm(57")\*D2040mm(80.25")xH980mm(38.5")



Note: Dimension tolerance  $\pm 5\%$