

ASSEMBLY INSTRUCTIONS
COASTER FINE FURNITURE



Fine Furniture for every stage of life

935933
VANITY STOOL

REVISION 0 : 01/14/2021
REVISION 1 : 12/15/2022

ITEM:935933



ASSEMBLY INSTRUCTIONS

ASSEMBLY TIPS:

1. Remove hardware from box and sort by size.
2. Please check to see that all hardware and parts are present prior to start of assembly.
3. Please follow attached instructions in the same sequence as numbered to assure fast & easy assembly.

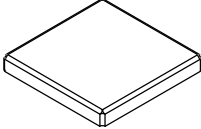
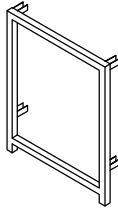
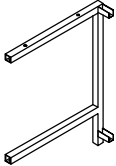
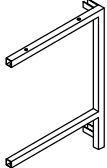
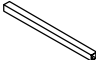


WARNING!

1. Don't attempt to repair or modify parts that are broken or defective. Please contact the store immediately.
2. This product is for home use only and not intended for commercial establishments.

ASSEMBLY TIME 30 MINUTES

PARTS IDENTIFICATION

A	CHAIR CUSHION		1PC
B	FRONT FRAME		1PC
C	LEFT FRAME		1PC
D	RIGHT FRAME		1PC
E	CROSSBAR		2PCS

ITEM:935933



ASSEMBLY INSTRUCTIONS

HARDWARE IDENTIFICATION

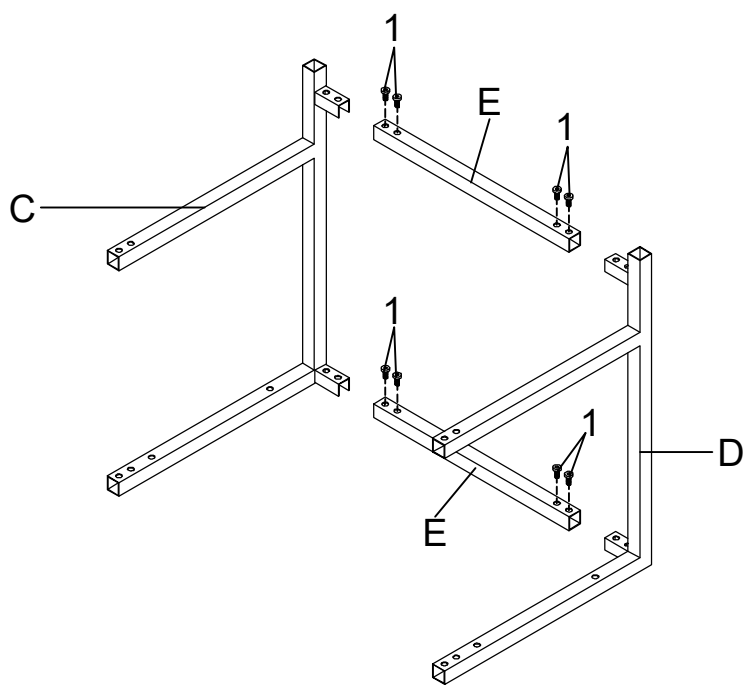
1	SHORT BOLT (1/4" x 12mm SR)		16PCS
2	LONG BOLT (1/4" x 38mm SR)		4PCS
3	CAP (20 x 20mm BLK)		4PCS
4	ALLEN WRENCH (4mm)		1PC

ITEM:935933

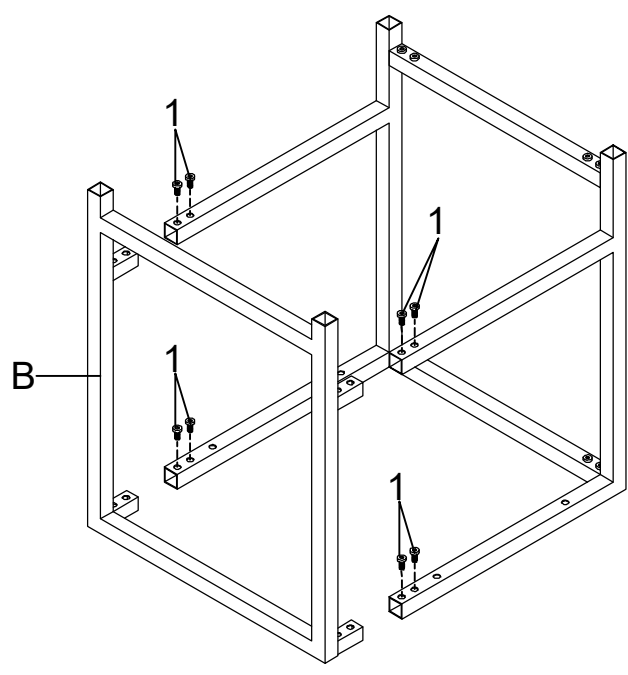


ASSEMBLY INSTRUCTIONS

STEP 1 Do not tighten until each step is completed or instructed.



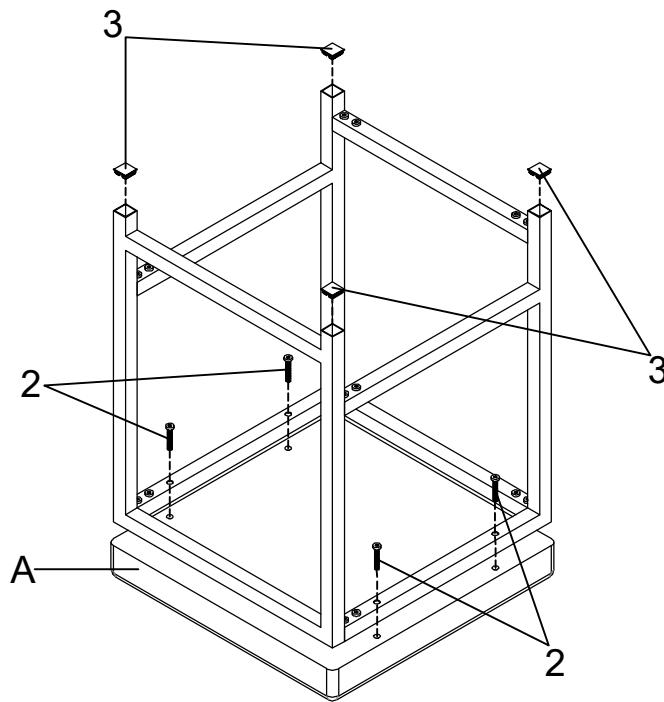
STEP 2



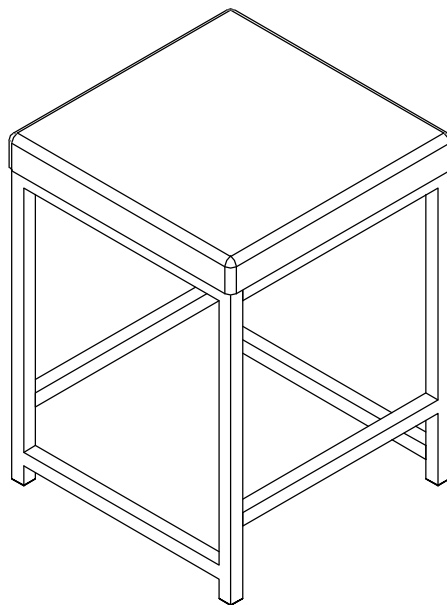
ITEM:935933

ASSEMBLY INSTRUCTIONS

STEP 3



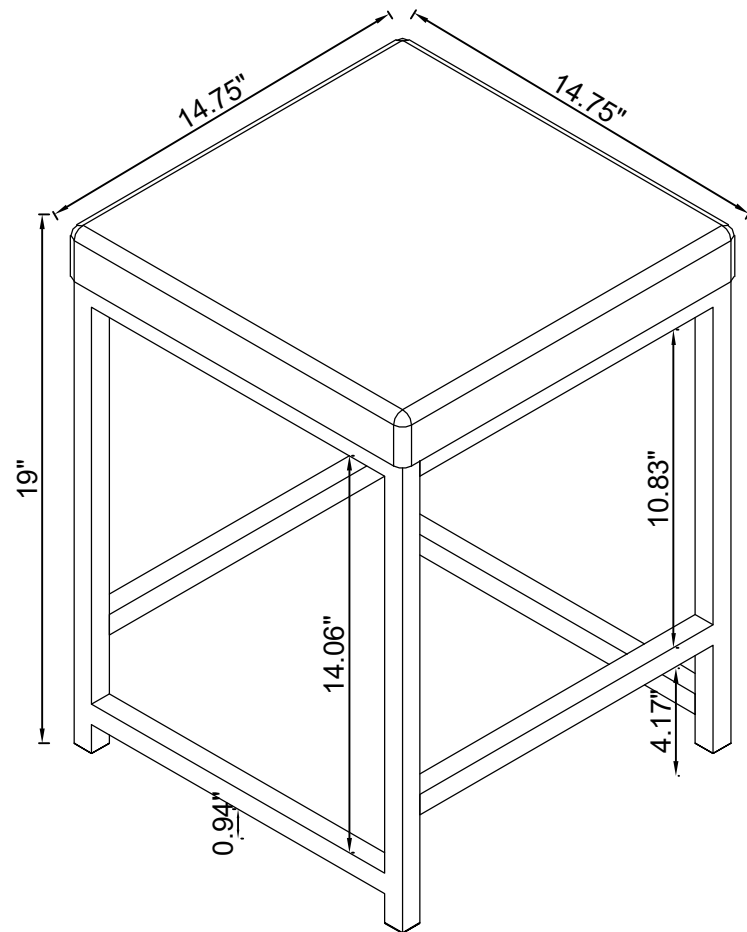
STEP 4 COMPLETE



ITEM:935933 ASSEMBLY INSTRUCTIONS



Product Size : 375 X 375 X 483 H (MM)
Product Size : 14.75" X 14.75" X 19"



Note : Dimension tolerance $\pm 5\%$